

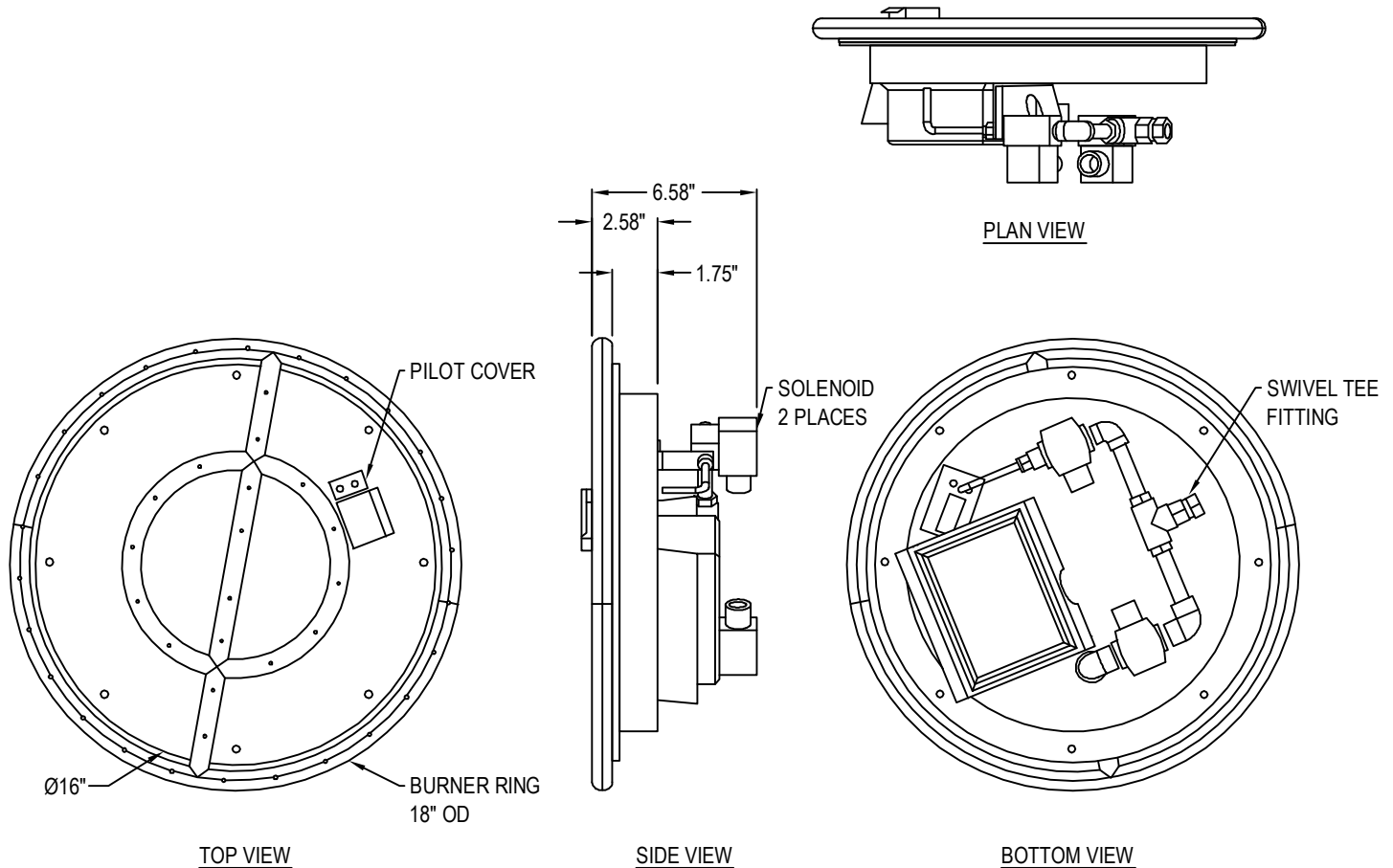


GRAND EFFECTS  
 18 TECHNOLOGY DR. SUITE 110  
 IRVINE, CA 92618  
 PHONE: (949) 697-5270  
 FAX: (949) 625-8027  
 www.grandeffectsinc.com

SELECT DESIRED OPERATION:

AUTOMATION OPERATION

MANUAL OPERATION



**NOTES:**

1. OUTPUT: 120,000 BTU/HR
2. INSTALLATION TO BE COMPLETED IN ACCORDANCE WITH MANUFACTURER'S SPECIFICATIONS.
3. DO NOT SCALE DRAWING.
4. THIS DRAWING IS INTENDED FOR USE BY ARCHITECTS, ENGINEERS, CONTRACTORS, CONSULTANTS AND DESIGN PROFESSIONALS FOR PLANNING PURPOSES ONLY. THIS DRAWING MAY NOT BE USED FOR CONSTRUCTION.
5. ALL INFORMATION CONTAINED HEREIN WAS CURRENT AT THE TIME OF DEVELOPMENT BUT MUST BE REVIEWED AND APPROVED BY THE PRODUCT MANUFACTURER TO BE CONSIDERED ACCURATE.
6. CONTRACTOR'S NOTE: FOR PRODUCT AND COMPANY INFORMATION VISIT [www.CADdetails.com/info](http://www.CADdetails.com/info) AND ENTER REFERENCE NUMBER 4903-051.

