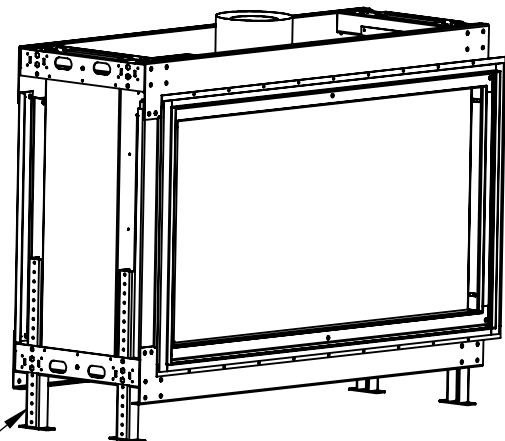
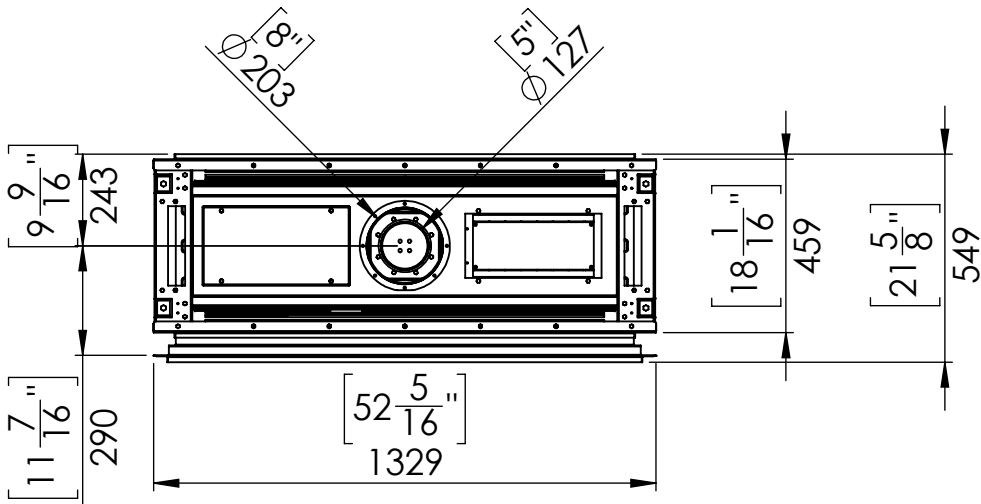
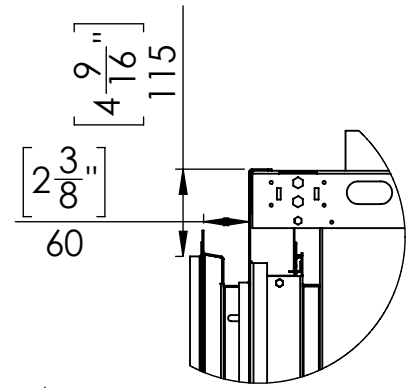
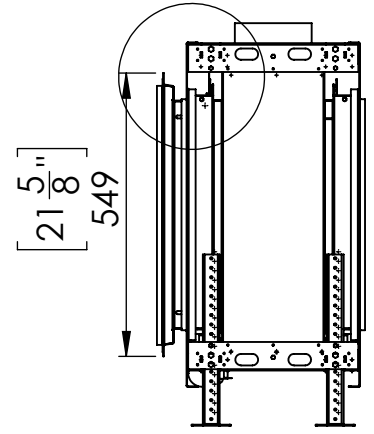
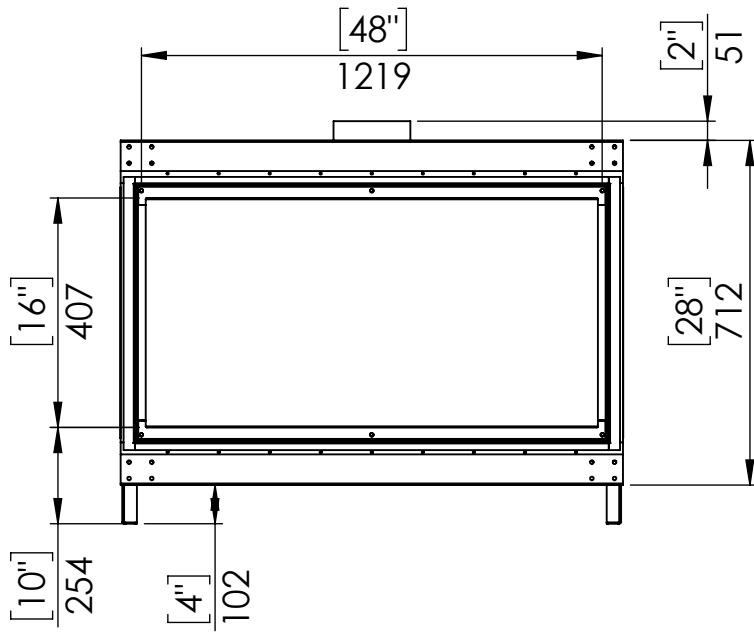


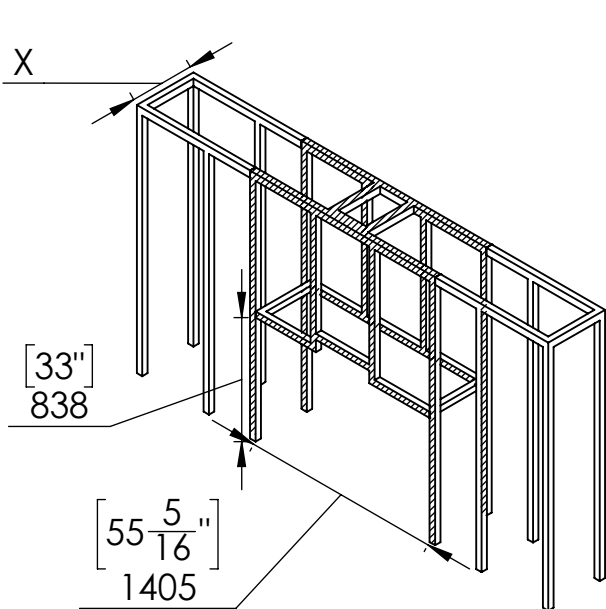
# FLARE See Through 50 Outdoor



Telescopic legs ranges  
(from bottom of glass): 10"-19"

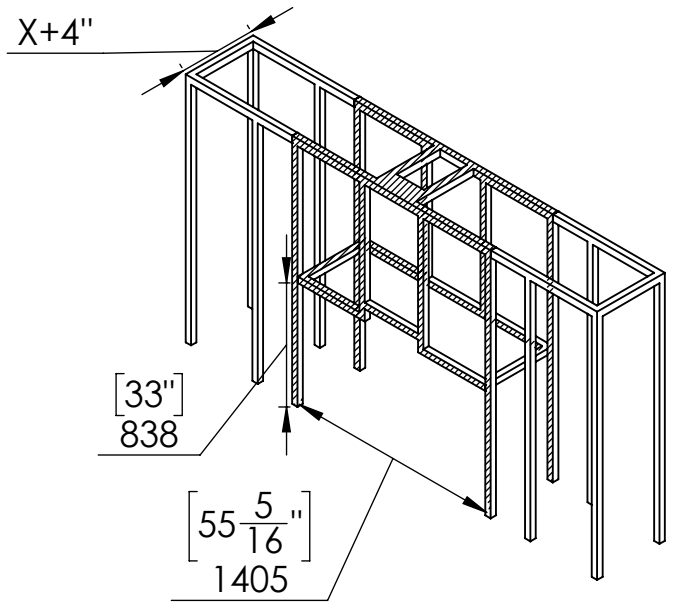
## Flat installtion - option 1

Metal studs **surrounding all sides** of Fireplace



▨ Metal stud

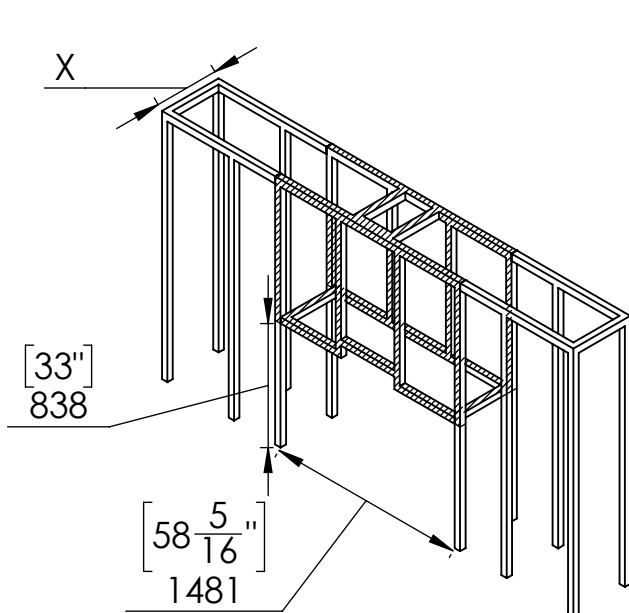
## Recess installtion - option 1



▨ Metal stud

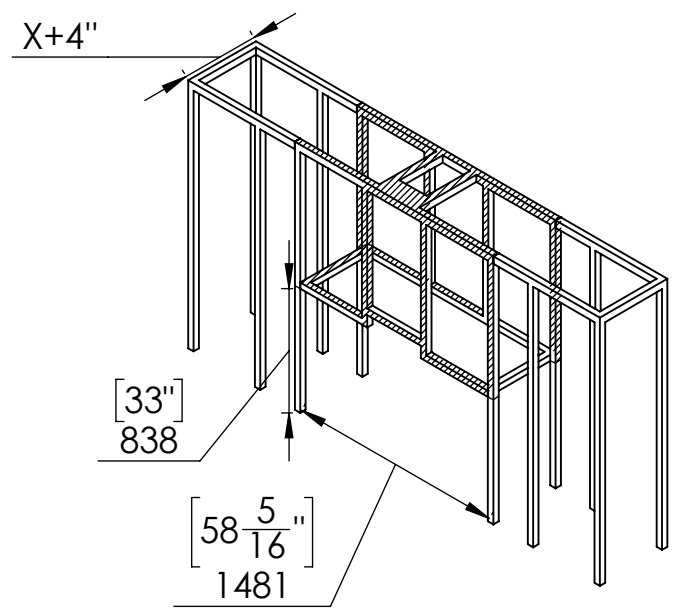
## Flat installtion - option 2

Metal studs **above** the Fireplace **only**



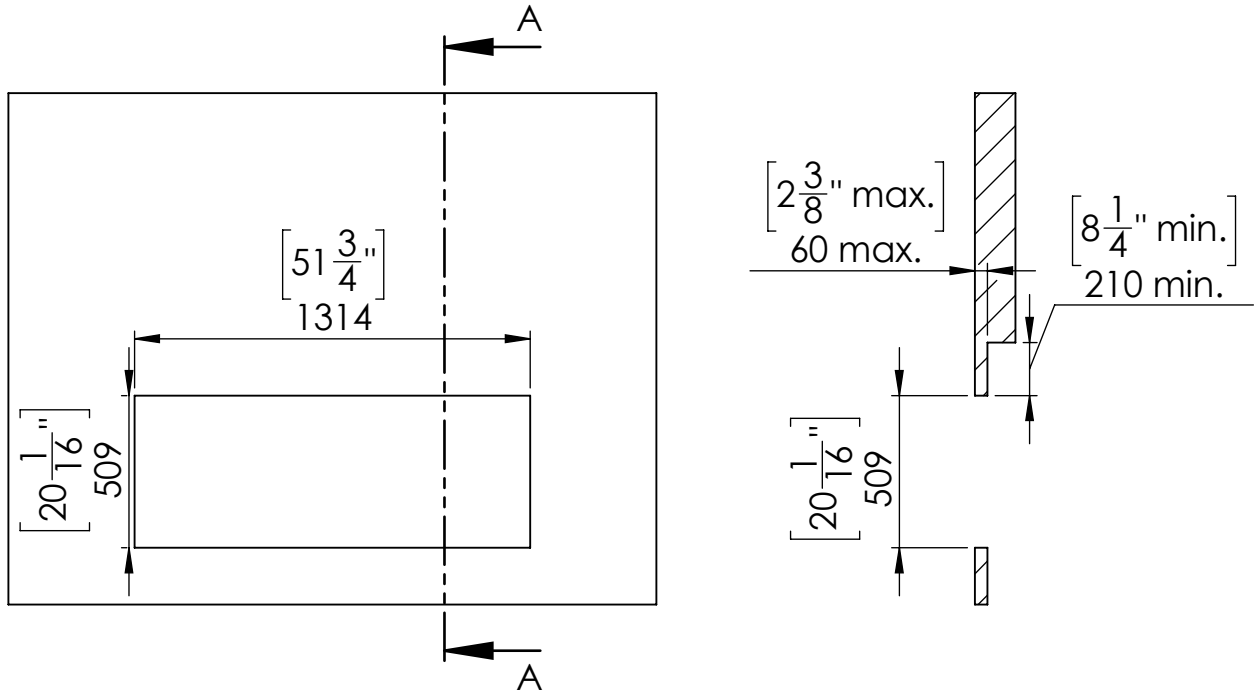
▨ Metal stud  
□ Coverd Wood stud

## Recess installtion - option 2

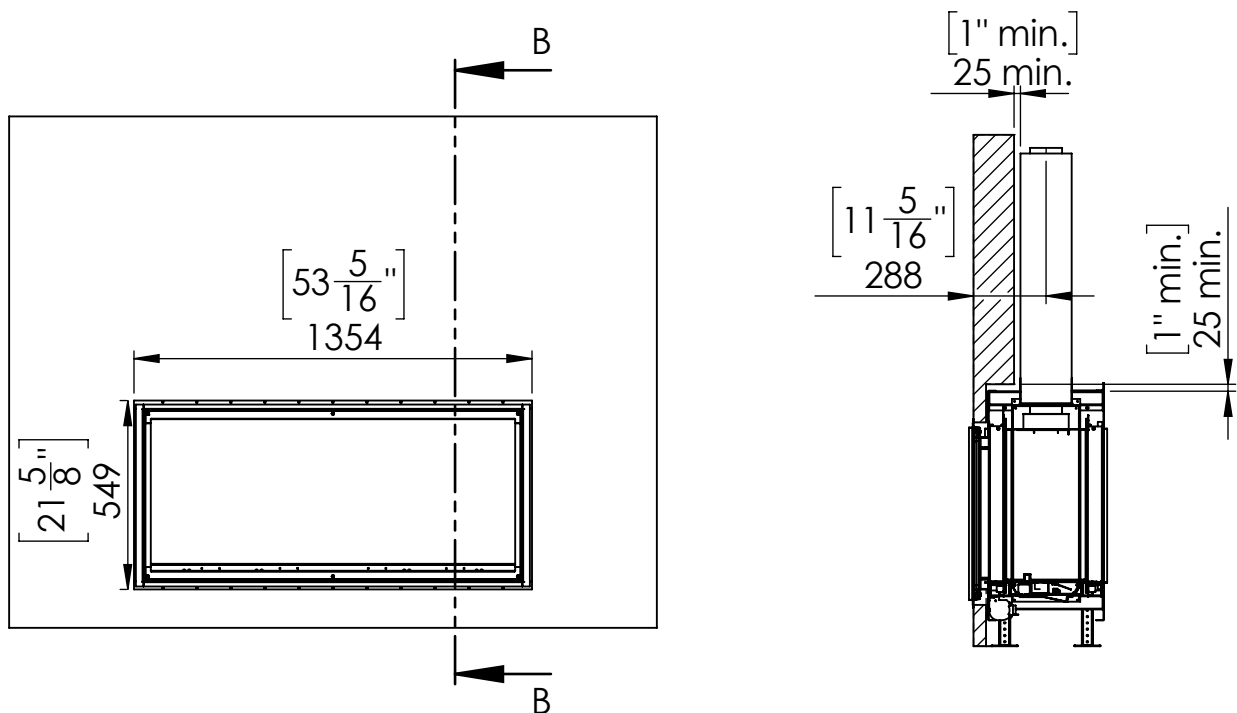


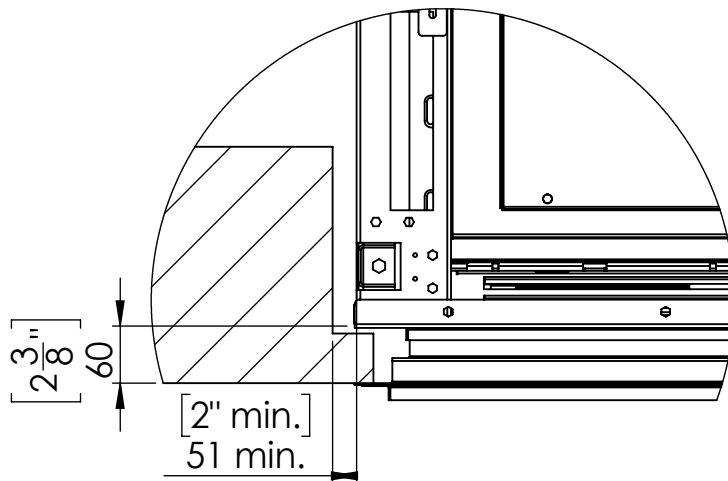
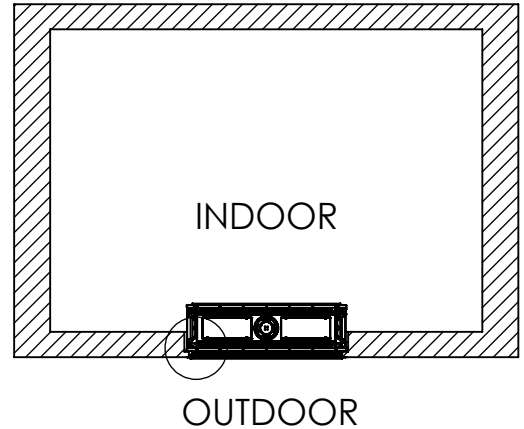
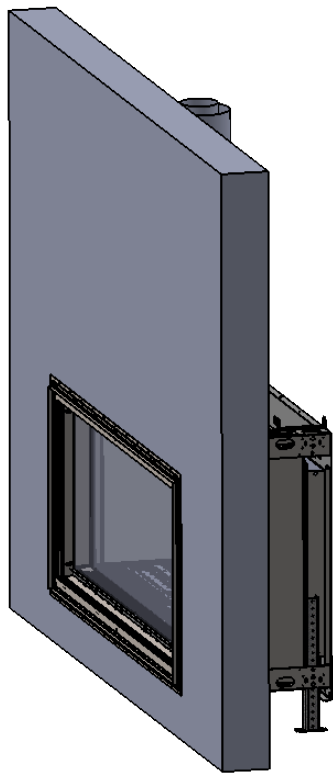
▨ Metal stud  
□ Coverd Wood stud

## External Cement Board Opening



## Outdoor Kit - External Frame





## Specifications for Appliance Flare See Through 50

Factor	NG	LPG
Burner Type	105	105
Orifice	1200	320
BTU Max.	47000	35100
BTU min.	22750	18500
Kw/h	13.8k	10.2k
Chimney DIA.	5X8	5X8
Manifold Pressure[w.c]	4.9	10.4
Efficiency rate	78	82
Glass Size Length\Width	1270.5 X 420 mm	50" X 16" 8/16'
Appliance Weigh	145Kg	320lb