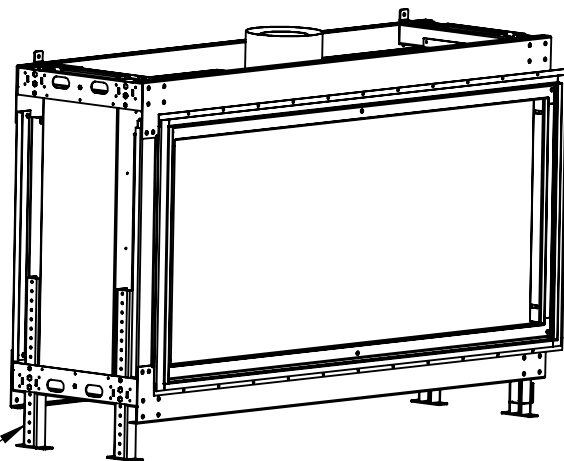
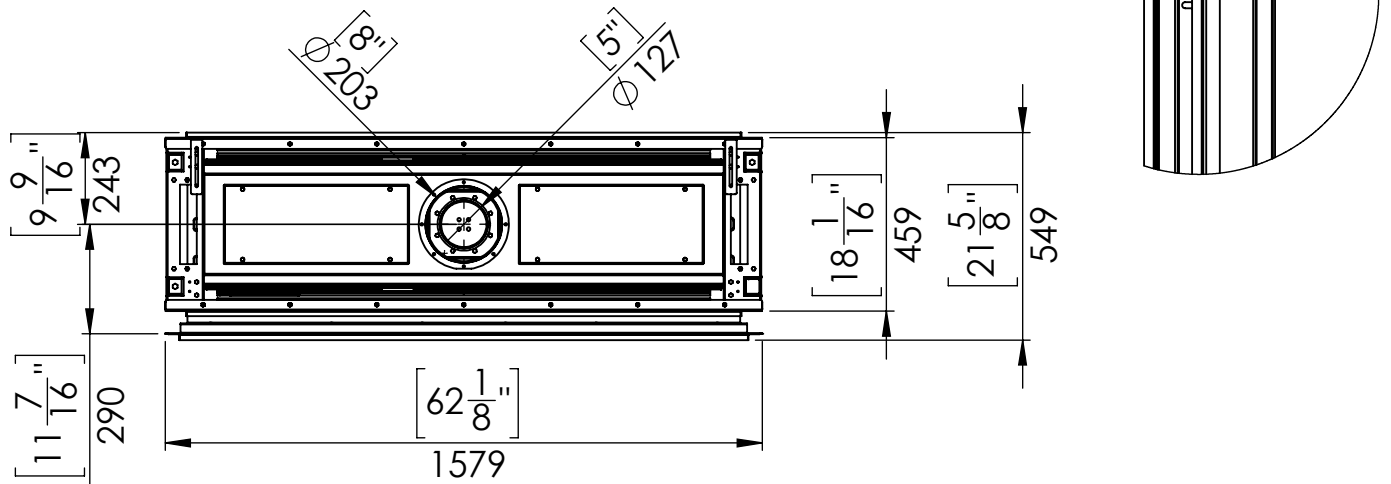
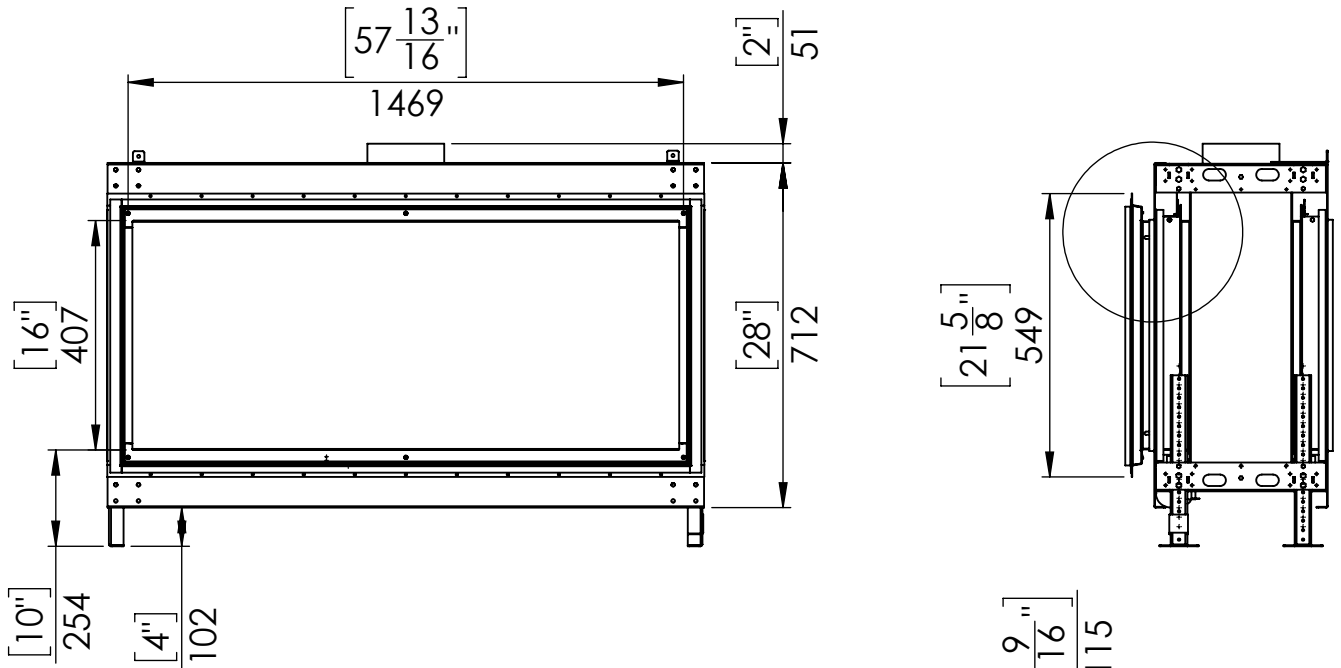


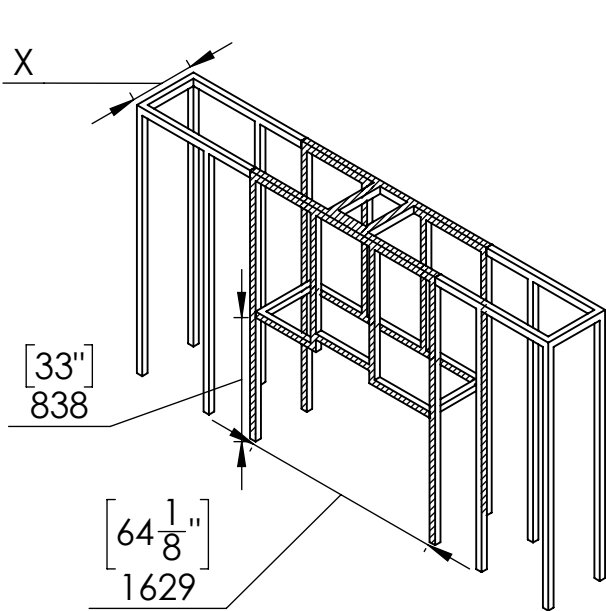
FLARE See Through 60 Outdoor



Telescopic legs ranges (from bottom of glass): 10"-19"

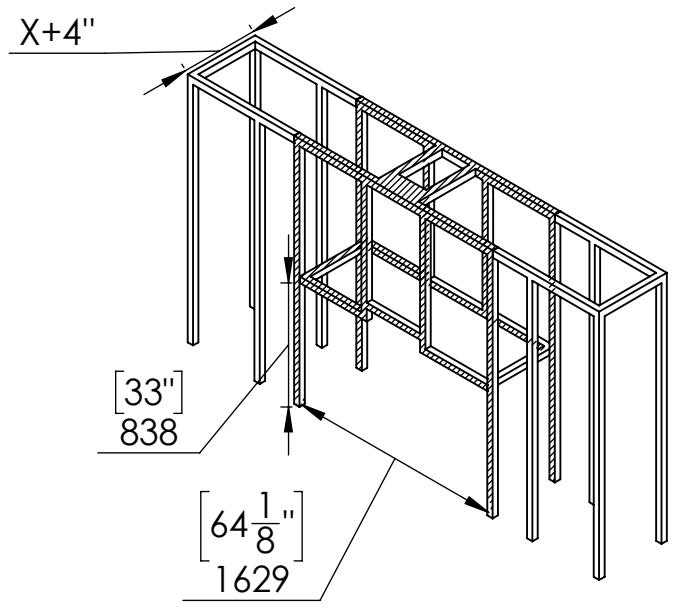
Flat installtion - option 1

Metal studs **surrounding all sides** of Fireplace



▨ Metal stud

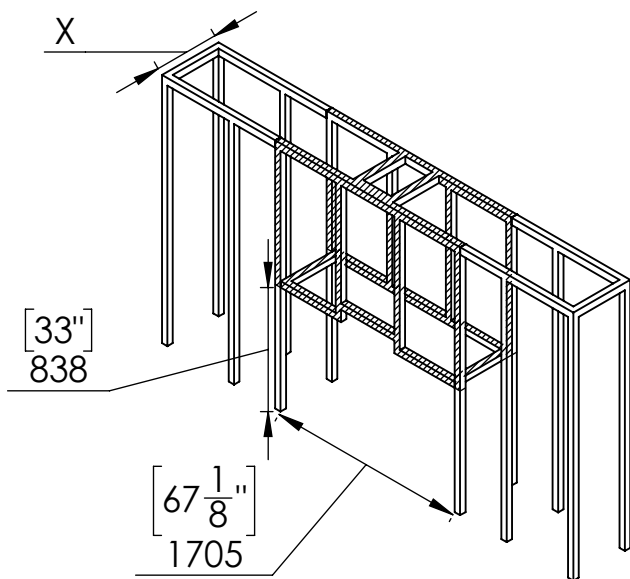
Recess installtion - option 1



▨ Metal stud

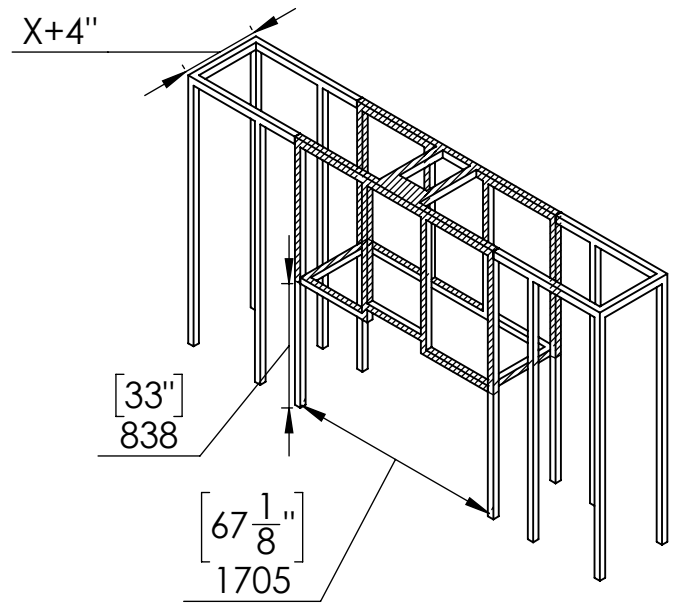
Flat installtion - option 2

Metal studs **above** the Fireplace **only**



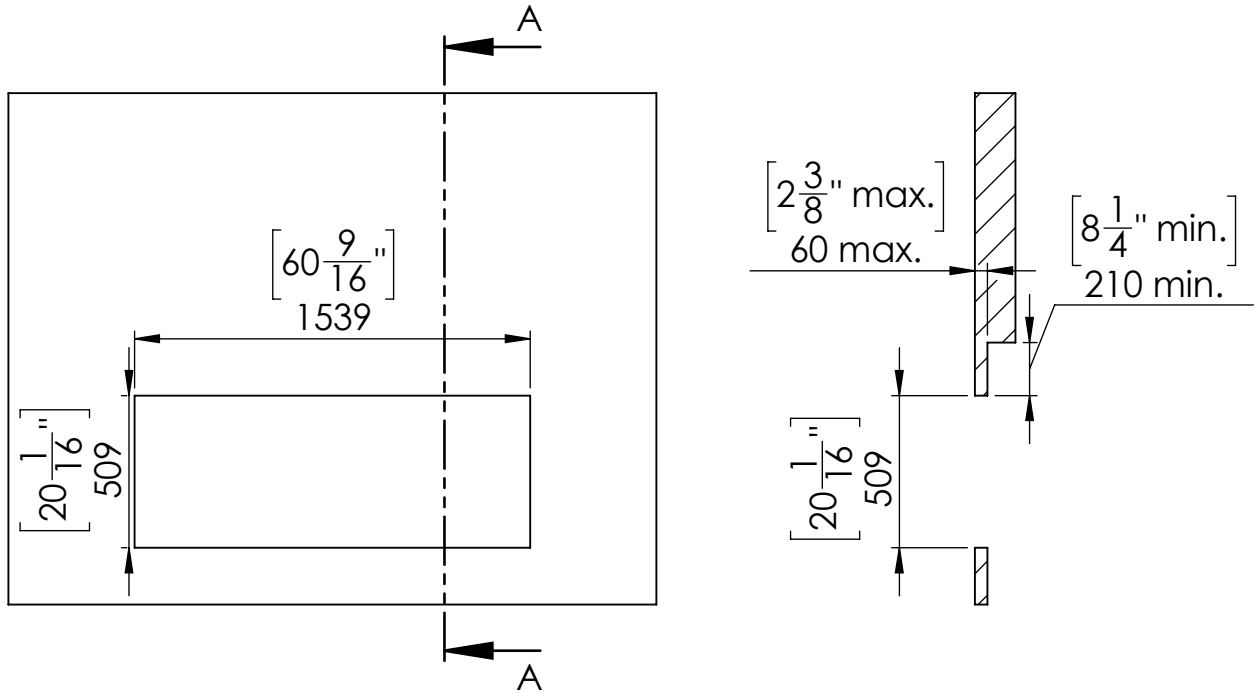
▨ Metal stud
□ Coverd Wood stud

Recess installtion - option 2

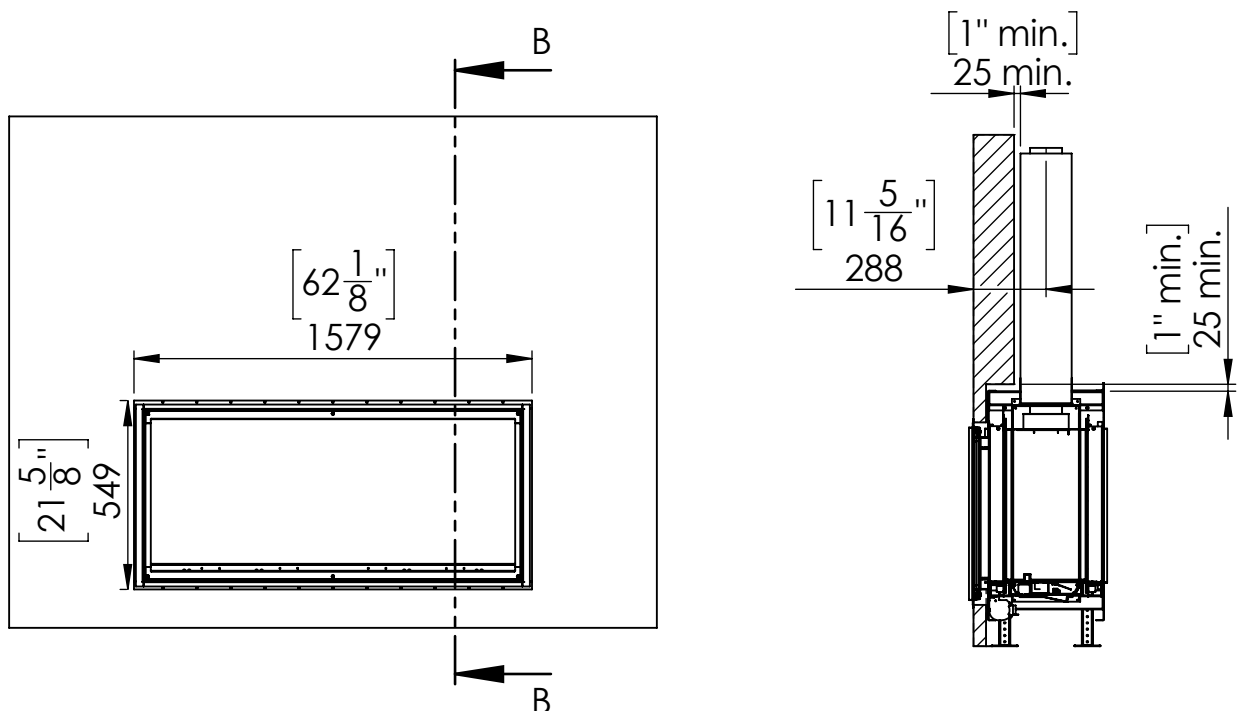


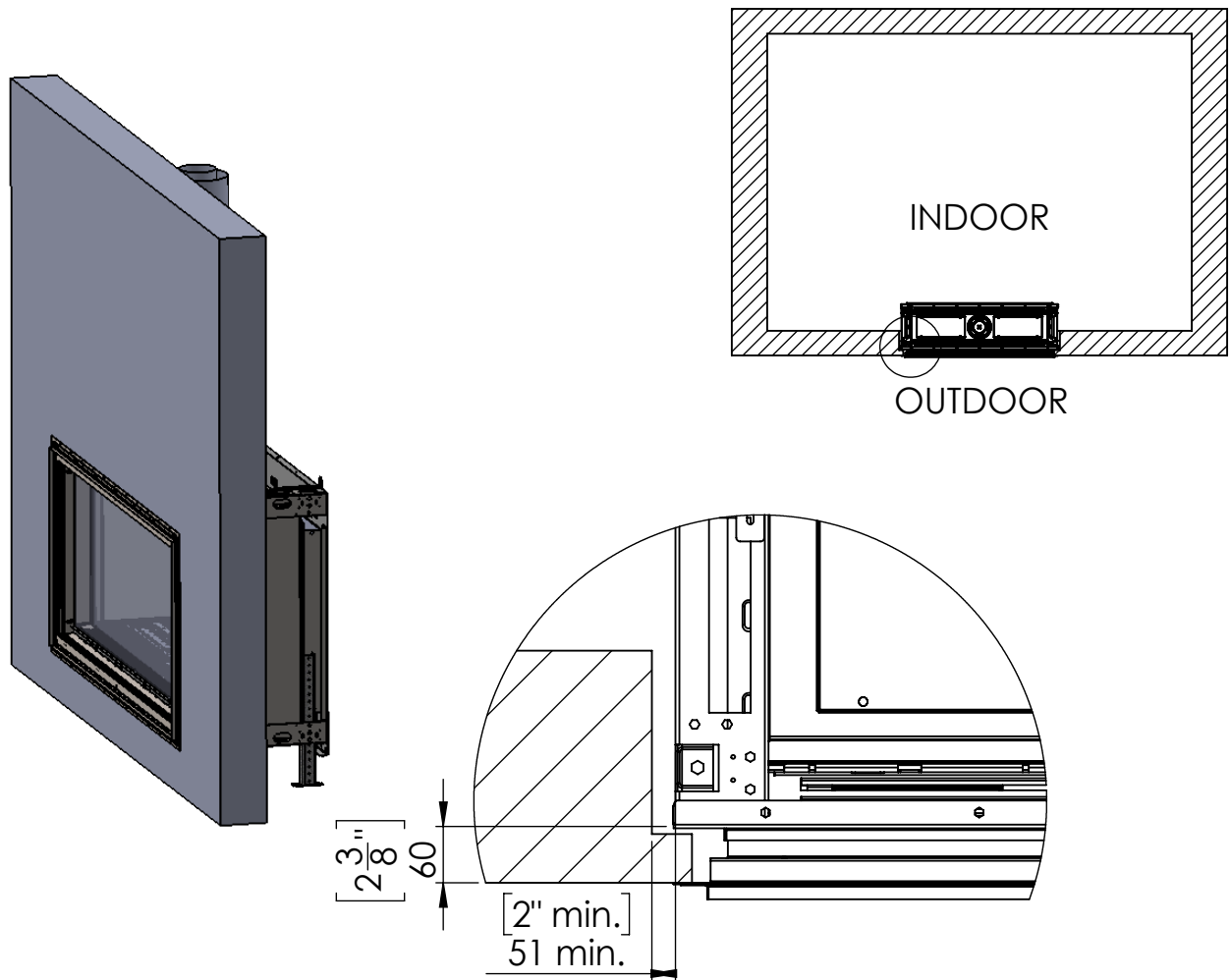
▨ Metal stud
□ Coverd Wood stud

External Cement Board Opening



Outdoor Kit - External Frame





Specifications for Appliance Flare See Through 60

| Factor | NG | LPG |
|-------------------------|-----------------|----------------------|
| Burner Type | 35,55,35 | 35,55,35 |
| Orifice | 500,800,500 | 160,160,160 |
| BTU Max. | 50000 | 41000 |
| BTU min. | 28000 | 20000 |
| Kw/h | 14.6k | 12k |
| Chimney DIA. | 5X8 | 5X8 |
| Manifold Pressure[w.c] | 3.3 | 10.4 |
| Efficiency rate | 77 | 80 |
| Glass Size Length\Width | 1520.5 X 420 mm | 59" 7/8' X 16" 8/16' |
| Appliance Weigh | 170Kg | 374lb |