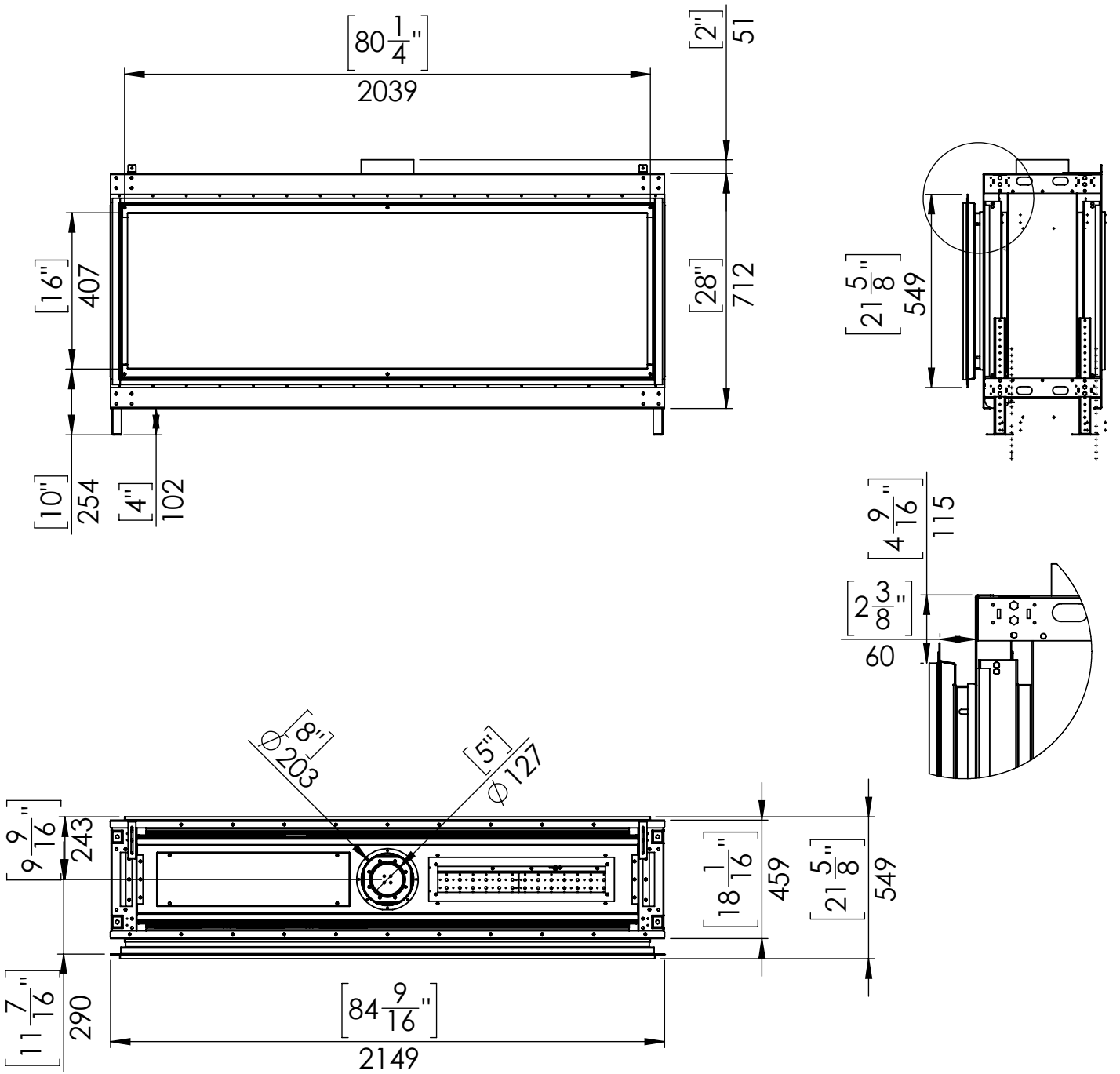
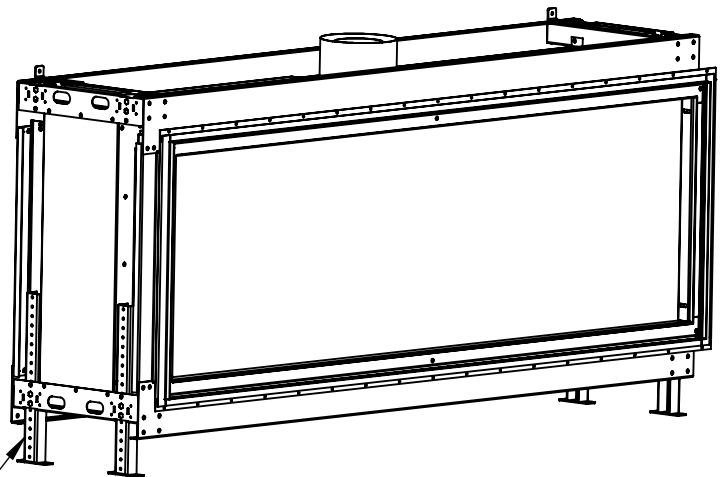


# FLARE See Through 80 Outdoor



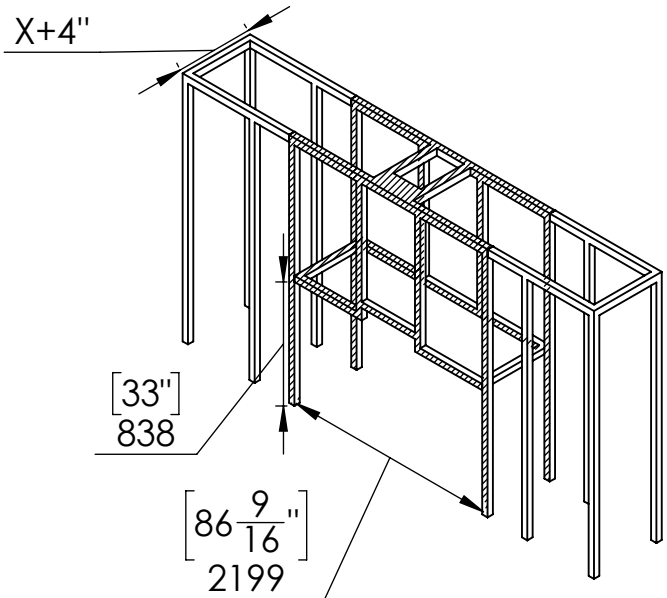
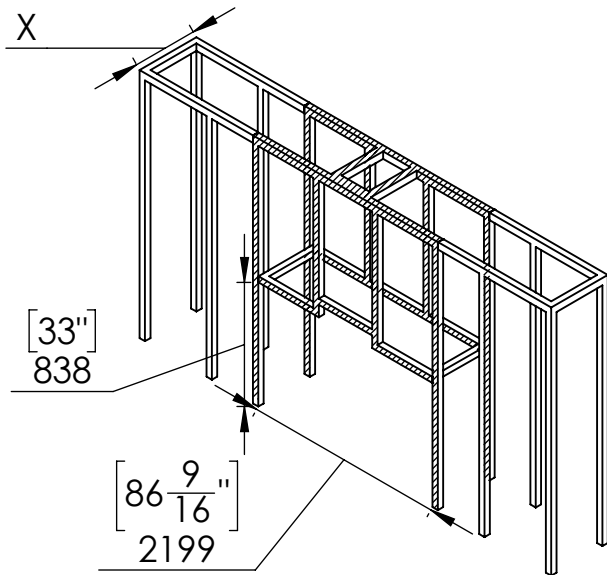
Telescopic legs ranges  
(from bottom of glass): 10"-19"



## Flat installtion - option 1

## Recess installtion - option 1

Metal studs **surrounding all sides** of Fireplace



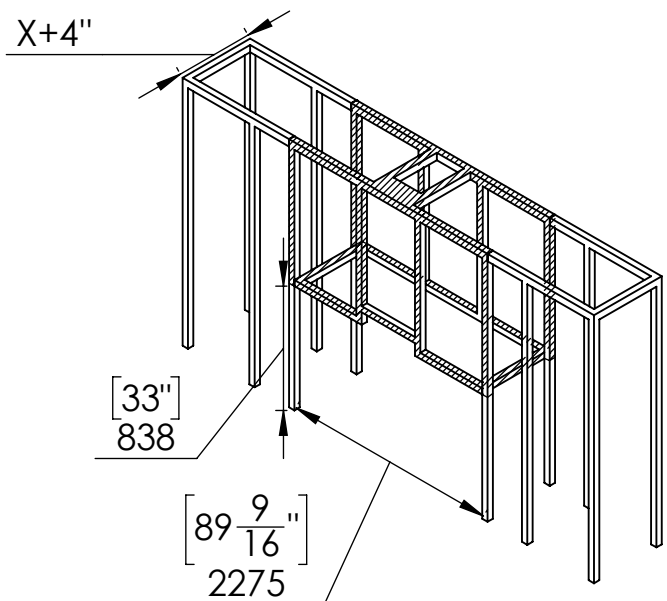
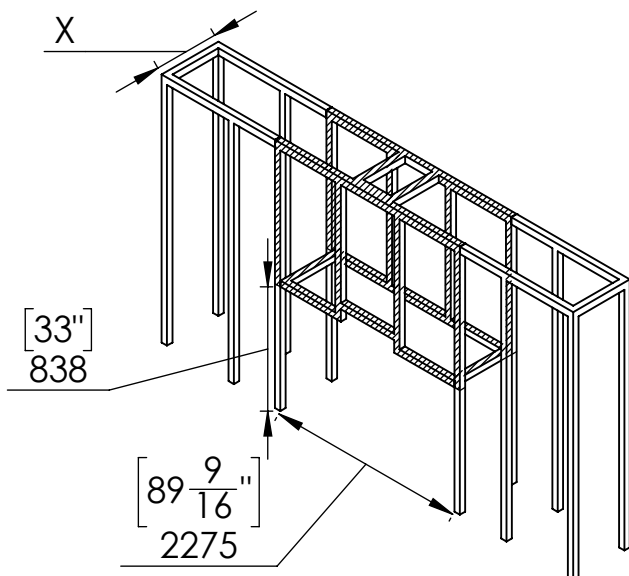
 Metal stud


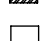
 Metal stud


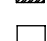
## Flat installtion - option 2

## Recess installtion - option 2

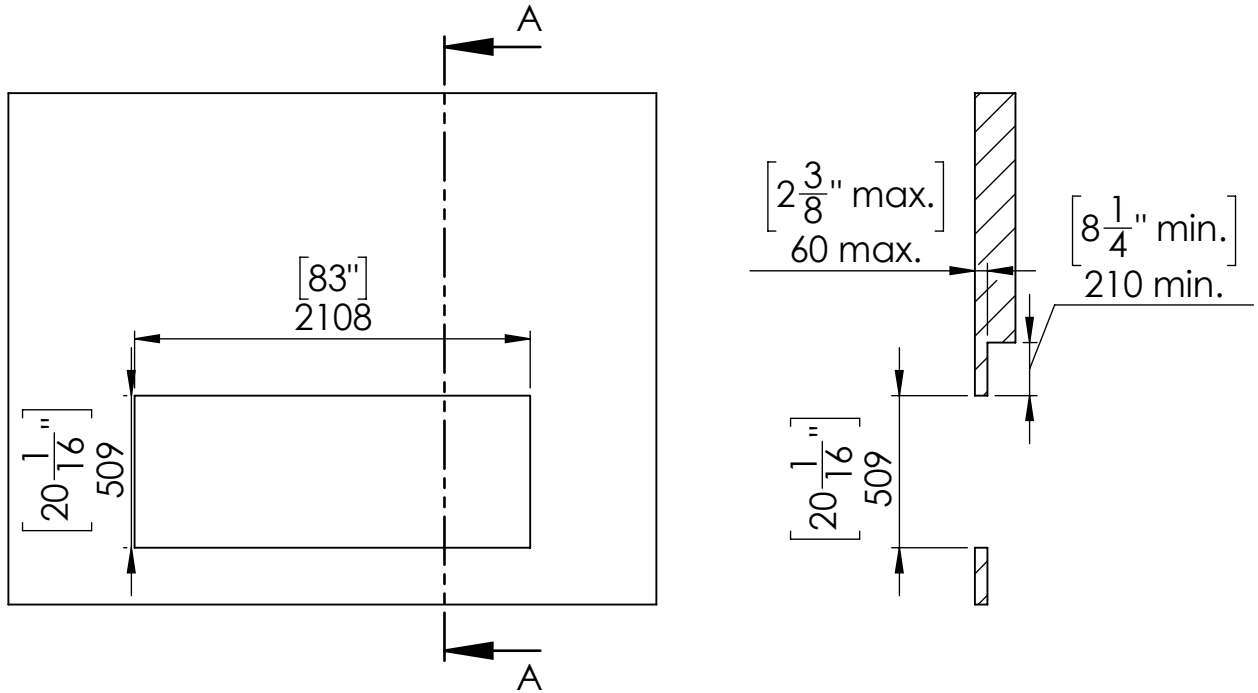
Metal studs **above** the Fireplace **only**



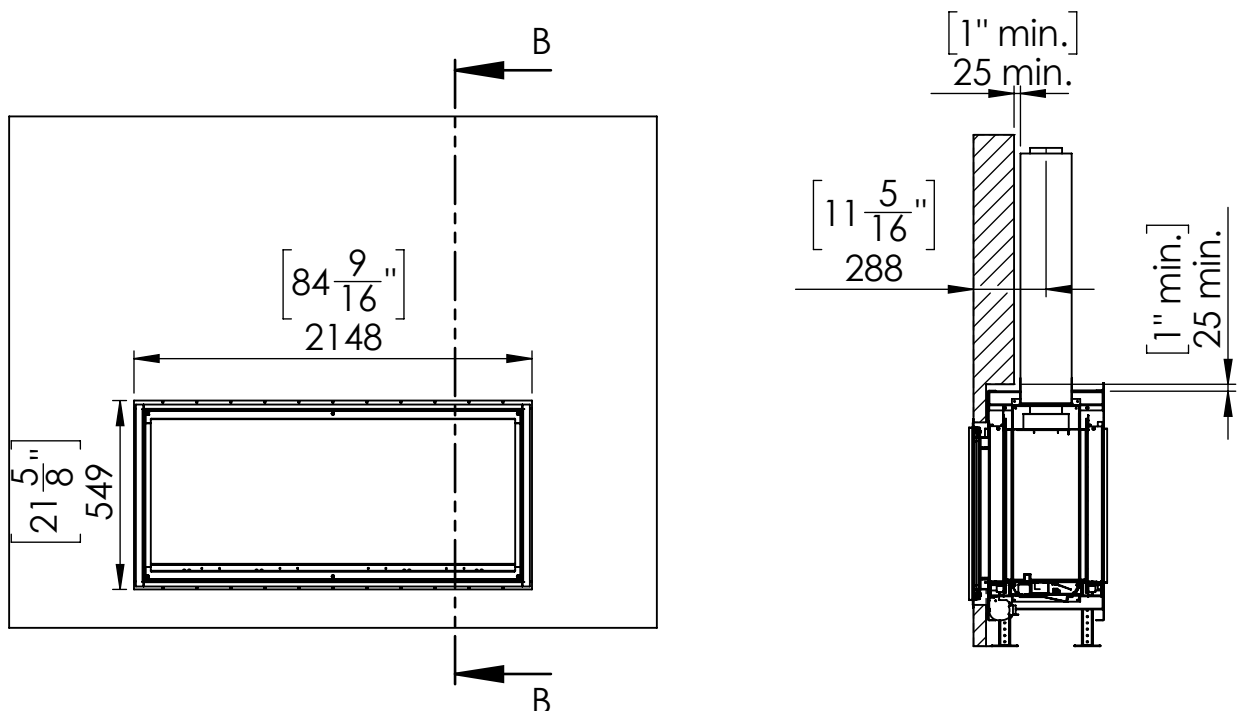
 Metal stud  
 Coverd Wood stud

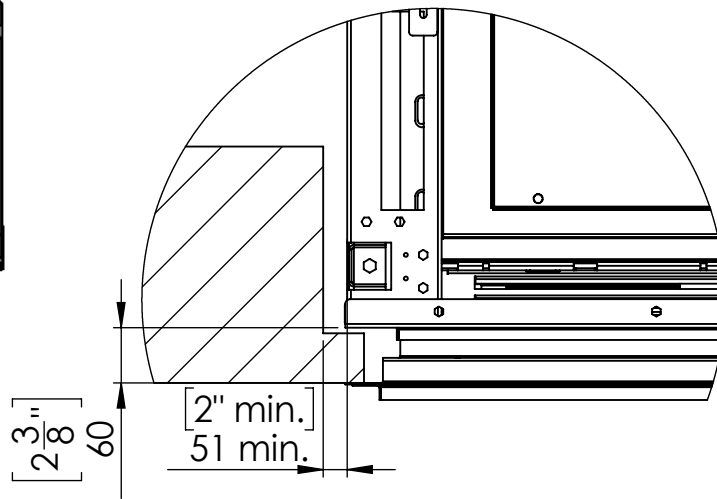
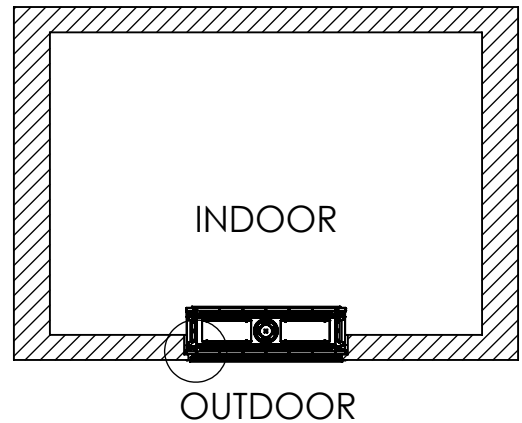
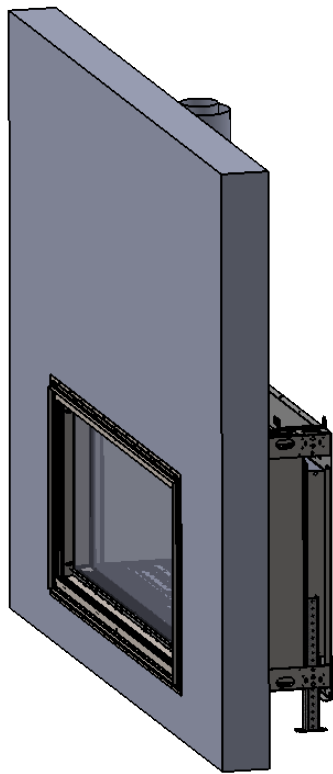
 Metal stud  
 Coverd Wood stud

## External Cement Board Opening



## Outdoor Kit - External Frame





## Specifications for Appliance Flare See Through 80

Factor	NG	LPG
Burner Type	35,105,35	35,105,35
Orifice	500,1200,500	160,260,160
BTU Max.	52200	43000
BTU min.	28000	20000
Kw/h	16.3k	13.5k
Chimney DIA.	5X8	5X8
Manifold Pressure[w.c]	3.4	8.8
Efficiency rate	82	80
Glass Size Length\Width	2090.5 X 420 mm	82" 5/16 X 16" 8/16'
Appliance Weigh	220Kg	485lb