

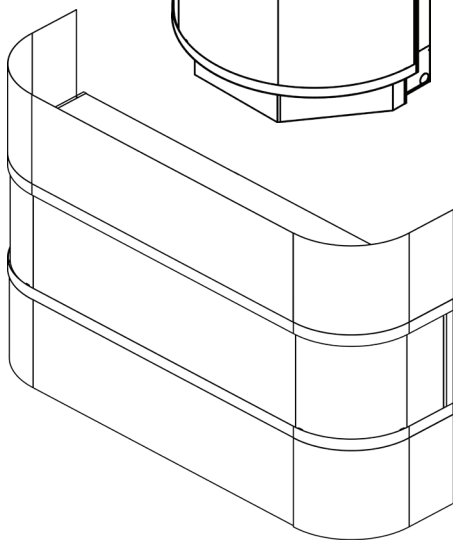
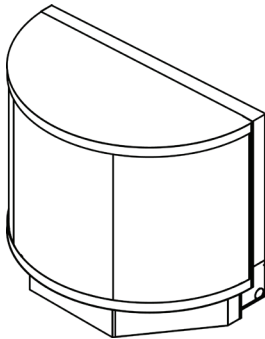
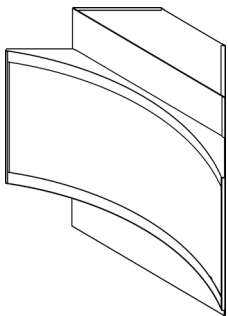


A designer can now specify a bay, corner, peninsula or island gas fireplace with truly rounded glass in whatever degree are they want.

The Impressions Series is the first truly curved gas fireplace line available that is not limited to any specific size or radius of glass, or shape of the firebox, and takes the fireplace experience to a whole new level of creative design.



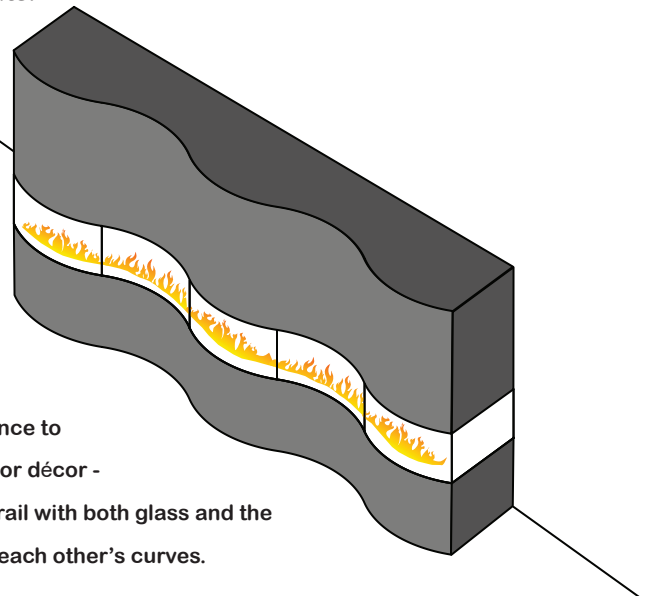
Follow any degree arc up to being a completely round fireplace.



Design a large sweeping concave arc, so you can feel like you are walking into the fireplace with flames to the front, left and right of you.

We can do virtually any size you want without being constricted to mix-n-match lengths bolted together or limitations to 90° angles.

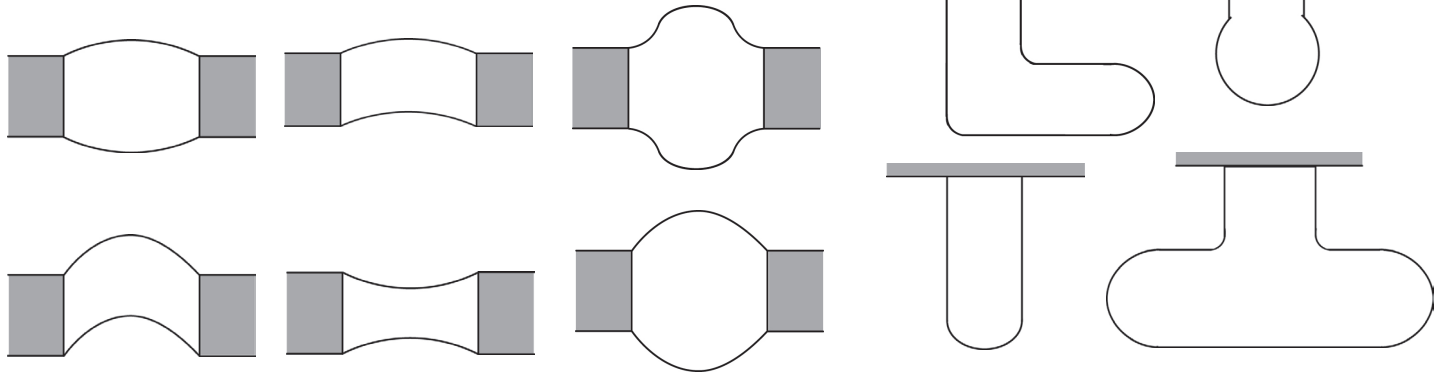
The glass can bow in, bow out, or bow in AND out many times over, allowing the fireplace to follow whatever path the designer wants.



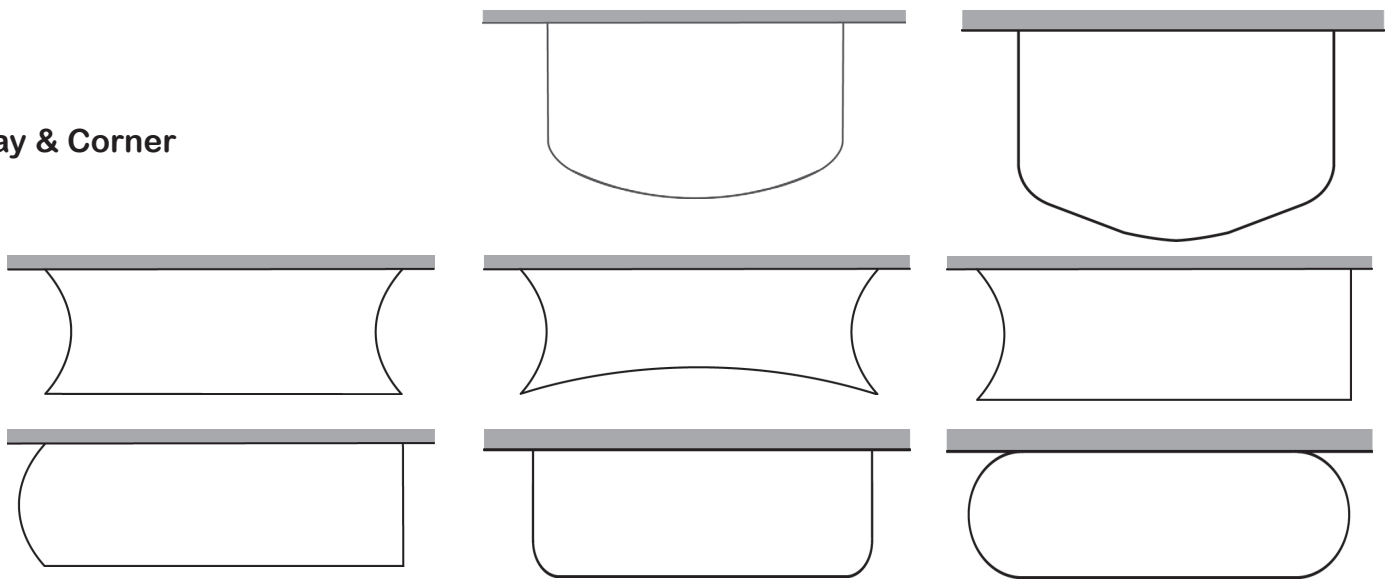
The customer is free to design their own fire-art experience to fit any type of room or décor - following a siney trail with both glass and the burner in sync with each other's curves.

We can do virtually any size you want without being constricted to mix-n-match lengths bolted together or limitations to 90 angles.

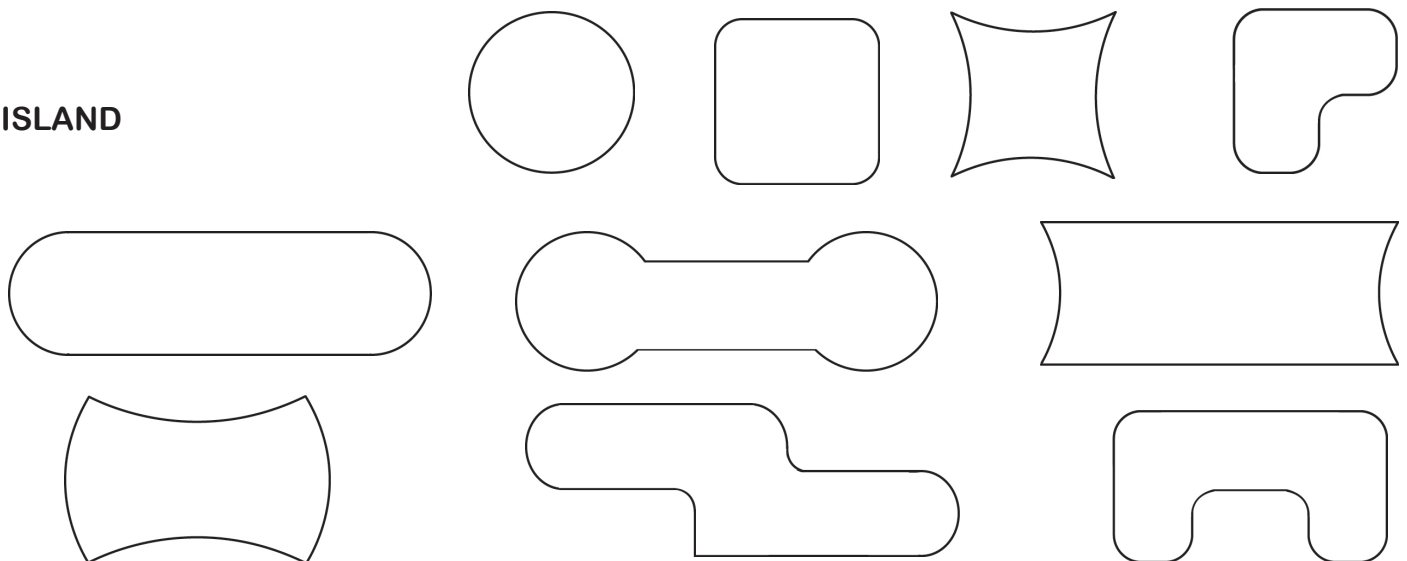
See-Through & Peninsula

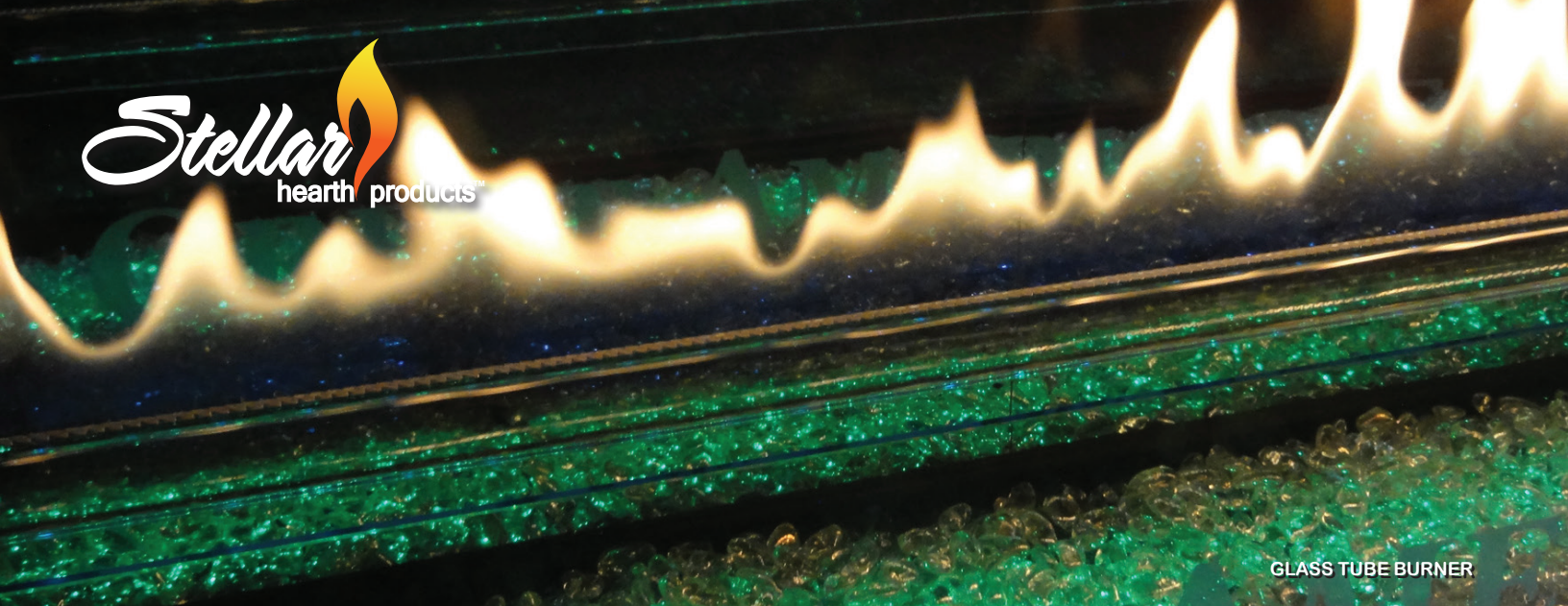


Bay & Corner



ISLAND





GLASS TUBE BURNER

Impressions Series - Burner Options

The burners can be at the firebox base or at any elevation suspended above the firebox base.

With the curved glass units, the burner can follow the exact same path as the glass allowing for seamless customization of the fire-art.

Taking it a step further, any of these burners may be customized with laser cut designs, glass etching, lettering or logos that can be lit up to match the designer's concepts.



TRADITIONAL LOGS



RIBBON



SQUARE



ZIG ZAG

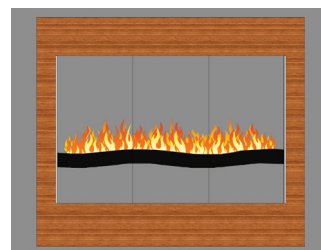
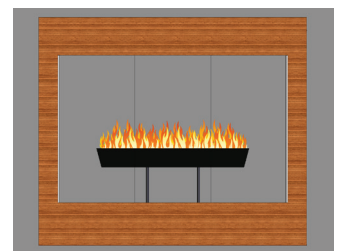
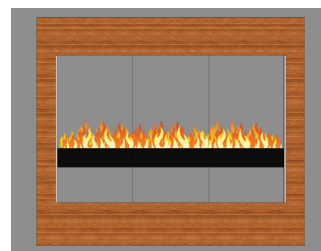


TORCH



ARC/CIRCLE

Step-Up Your Burner Game With Elevated or Suspended Burners





The optional design features available in The Impressions Series not only enhance the flames, but give your customers creative options to design the one-of-a-kind fireplace they are looking for.



Mirrored Firebox Liners

Create a stunning effect of multiple fires and endless iterations of the flames with mirrored glass firebox liners. The reflections go on and on with a look that changes from every angle.



Media Bed LED Lighting

An infinite amount of colors, patterns, and dancing light options all controlled from an app that can be downloaded to your smartphone or iPad. Lighted ember bed is a standard feature with traditional woodburning log set.

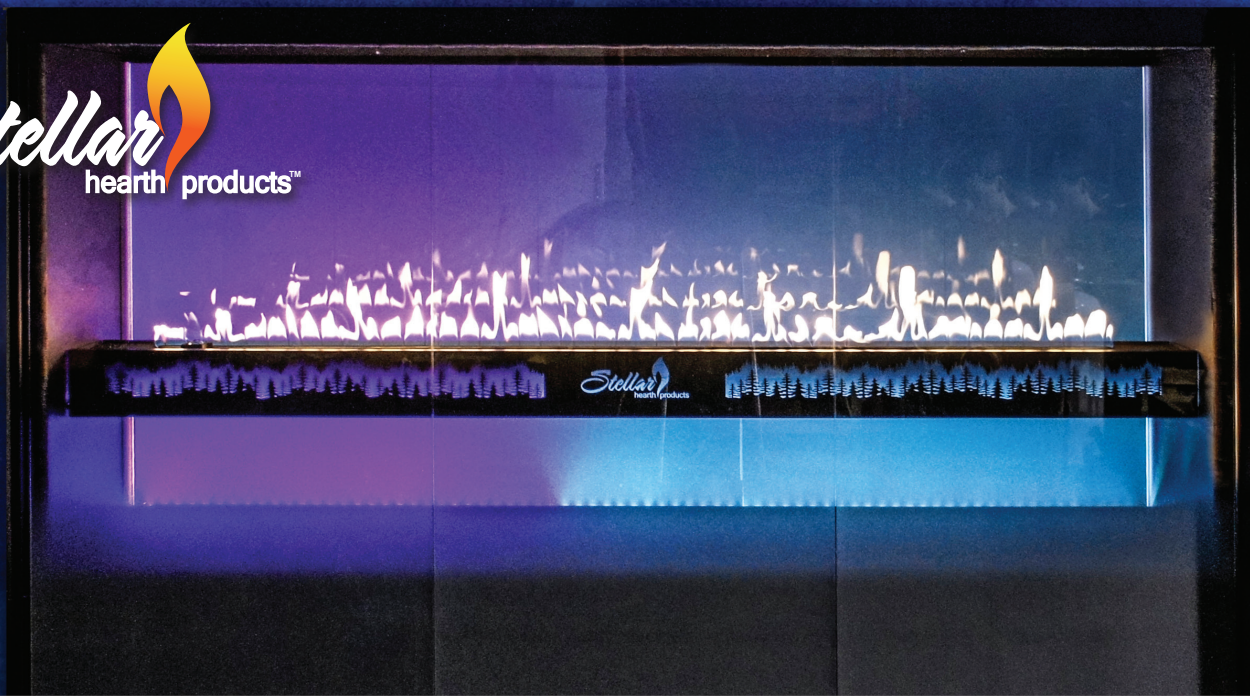


Glass Etching, Frost Effect and Custom Laser Cut Designs

Promote a restaurant, university, hotel, business brand or even family name in a stylish and creative way by etching the glass inside the firebox, outer glass walls or a piece in the firebox base.

Back light laser cut designs, names or logos.

On fireplaces with taller viewing areas and elevated burners, a frosted effect can be added to the lower part of the glass to offer a sense the flame is floating above a misty basin.



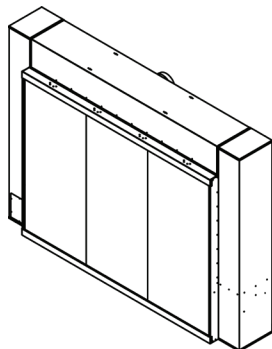
The Aspiration Series takes design, light, glass and fire to the level of sophistication and customization you have been dreaming of. At the very core of the fireplaces are standard lighted backgrounds and customized burners powered by LED lights that can be customized to an infinite amount of colors of sequences.



The Aspiration Effect

Welcome to a whole new level in fireplace experience; the lighted panel can be the back of a single sided or see-through fireplace, or the lighted front of an indoor/outdoor see-through fireplace. Fire on or fire off; lighted glass on or lighted glass off, the effect is different from any angle you are looking at it.

You are in control from an app on your smartphone or iPad. You can easily program the lights to an infinite amount of colors, sequences, music and strobing effects.



Unlimited Sizes and Shapes

You aren't limited by a maximum height or maximum width. You pick the dimensions and we will build it to your specifications. Available in single sided, see-through, corner, peninsula, bay or island style fireplaces.

Customize - Customize - Customize!

Your interior options are wide open. Over 10 different burner options that fit any decor from more traditional to contemporary including: ribbon, torch, zig-zag, glass tube, round, square, pentagon and woodburning log set. For larger viewing areas, a suspended or elevated burner is perfect for balancing out the size of the glass.

Mirrored firebox panels, accent lights, custom glass etching, laser cut metal designs and frosted glass are all available options. Each individually enhance the flame beautifully, but when used in combination, achieve a one-of-a-kind fireplace.