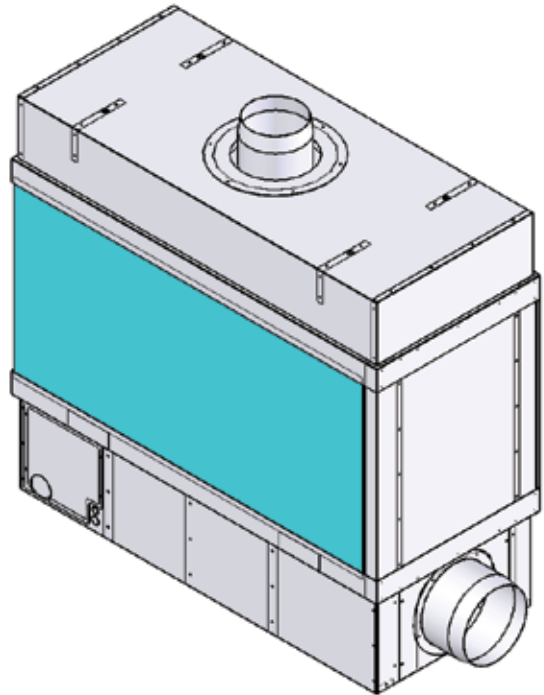




www.stellarhearth.com

Custom Fireplace Program Co-linear Direct Vent Gas Fireplaces

GALAXY SERIES - LEFT CORNER Installation and Operating Manual NG & LP



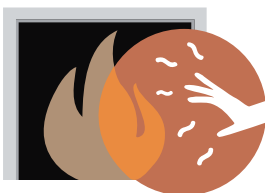
DO NOT DISCARD

Installer: Leave this manual with the appliance.
Consumer: Retain this manual for future reference.

WARNING: If the information in these instructions are not followed exactly, a fire or explosion may result causing property damage, personal injury or loss of life.

- Do not store or use gasoline or other flammable vapors and liquids in the vicinity of this or any other appliance.
- **WHAT TO DO IF YOU SMELL GAS**
 - Do not try to light any appliance.
 - Do not touch any electrical switch; do not use any phone in your building.
 - Immediately call your gas supplier from a neighbor's phone. Follow the gas supplier's instructions.
 - If you cannot reach your gas supplier, call the fire department.
- Installation and service must be performed by a qualified installer, service agency or the gas supplier.

WARNING



**HOT GLASS WILL
CAUSE BURNS.
DO NOT TOUCH GLASS
UNTIL COOLED.
NEVER ALLOW CHILDREN
TO TOUCH GLASS.**



We recommend that our gas hearth products be installed and serviced by professionals who are certified in the U.S. by the National Fireplace Institute (NFI) as NFI Gas Specialists.

1 - SAFETY INFORMATION

This fireplace complies with ANSI Z21.50a-2014·CSA 2.33a-2014 “VENTED GAS FIREPLACE”.
Installation must conform with local building codes or in the absence of local building codes,
with the National Fuel Gas Code, ANSIZ223.1/NFPA 54 - Current Edition, or the Natural or Propane Installation Code, CSAB149.1

A. SAFETY ICON DESIGNATIONS

Various safety icons appear throughout this installation manual. Please familiarize yourself with the icons making sure you understand the serious consequences that may occur if ignored or of handling the products inappropriately.



IMPORTANT NOTE

This indicates additional instructions that you should consider during the installation.



HOT GLASS WARNING

This indicates danger of serious bodily injury or property damage if glass is handled while still hot.



DO NOT

This indicates something that you must never do.



CAUTION

This indicates danger of serious bodily injury or property damage



RISK OF FIRE

This designates a danger of risk of fire or damage to property.



STOP!

This indicates notes that may include reviewing warnings on other pages throughout the manual

B. IMPORTANT SAFETY CONSIDERATIONS

- Installation and repair should be done only by a qualified service person. The appliance should be inspected by a qualified service person before use. Annual inspection by a qualified service person is required to maintain warranty. More frequent cleaning may be required due to excessive lint from carpeting, bedding materials, etc. It is imperative that control compartments, burners and circulation air passageways of the appliance be kept clean.
- Children and adults should be alerted to the hazards of high surface temperatures and should stay away to avoid burns or clothing ignition.
- Young children should be carefully supervised when they are in the same room as the appliance. Toddlers, young children and others may be susceptible to accidental contact burns. A physical barrier is recommended if there are at risk individuals in the house. To restrict access to a fireplace or stove, install an adjustable safety gate to keep toddlers, young children and other at risk individuals out of the room and away from hot surfaces.
- Clothing or other flammable material should not be placed on or near the appliance.
- Adequate accessibility clearances for servicing and proper operation must be maintained.
- This appliance must not share or be connected to a chimney flue serving any other appliance.
- Keep area around the appliance clear of combustible materials, gasoline and other flammable vapor and liquids.
- The flow of combustion and ventilation air must not be obstructed.
- Due to high temperatures the appliance should be located out of traffic and away from furniture and draperies.
- The glass front or any part removed for servicing the appliance must be replaced prior to operating the appliance. Work should be done by a qualified service technician. Safe-T-Touch units only.
- Clean glass only when cool and only with non-abrasive cleansers. Safe-T-Touch units only.
- Do not operate this appliance with the glass/frame assembly removed, cracked or broken. Replacement of the glass assembly must only be performed by a licensed or qualified service person. DO NOT SUBSTITUTE MATERIALS. Safe-T-Touch units only.
- Do not strike or slam glass assembly. Safe-T-Touch units only.
- Keep burner and control compartment clean.
- Do not use this fireplace if any part has been under water. Immediately call a qualified service technician to inspect this appliance and to replace any part of the control system and any gas control which has been under water.
- **DANGER:** Under no circumstances should any solid fuel (wood, coal, paper or cardboard etc.) be used in this appliance.
- **STATE OF CA WARNING:** This product and the fuels used to operate this product (liquid propane or natural gas), and the combustion of such fuels, can expose you to chemicals including benzene, which is known to the State of California to cause cancer and reproductive harm. For more information go to: www.P65Warnings.ca.gov.

2 - CUSTOM FIREPLACE SPECIFICATIONS

A. LEFT CORNER DIMENSIONS

J & K	The hood shall be supported at specific locations using .250-20 UNC threaded rods.
4'	
5'	You will find the dimensions for J & K on Page 8.

J, K & L	The hood shall be supported at specific locations using .250-20 UNC threaded rods.
6'	
7'	You will find the dimensions for J, K & L on Page 8.

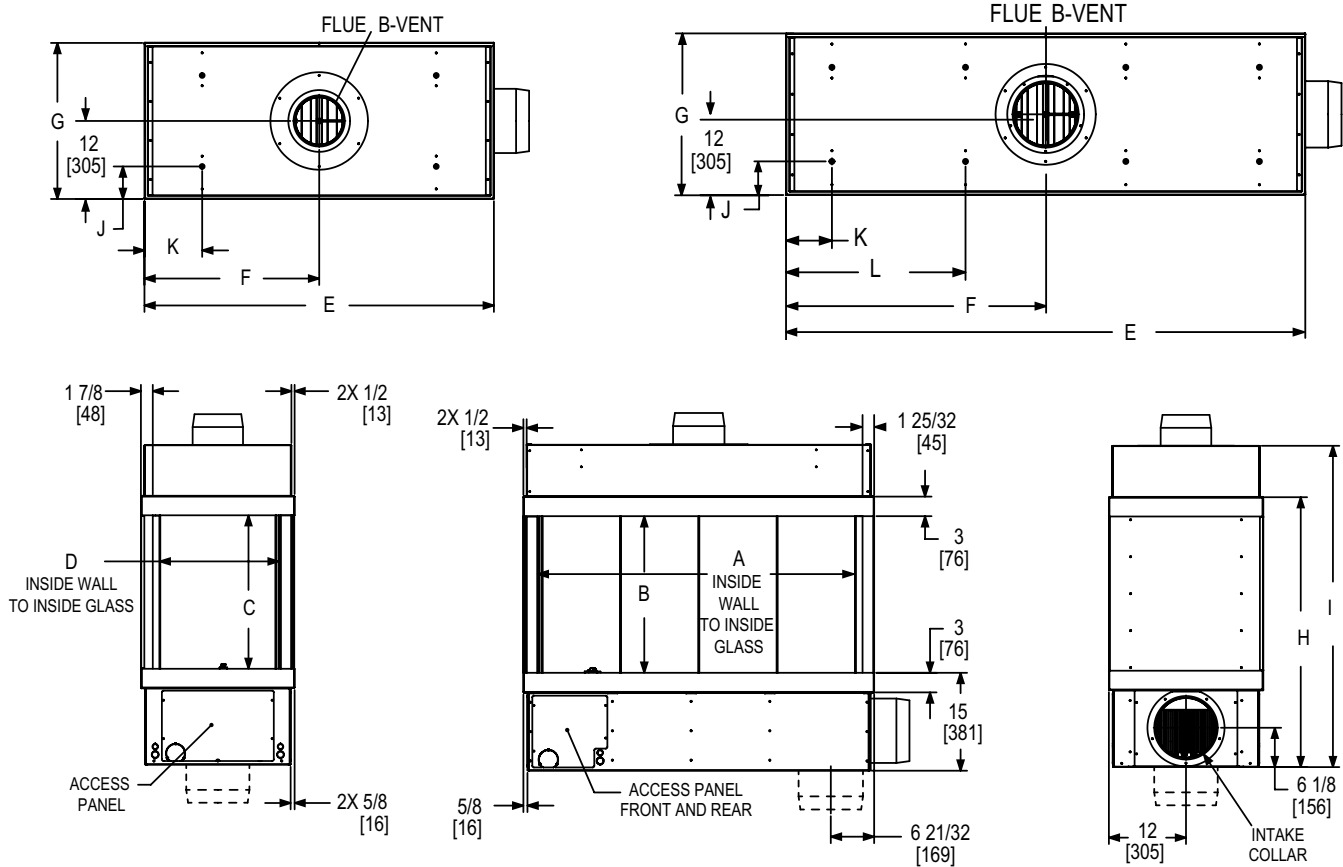


Figure 2A

SPECIFICATIONS			DIMENSIONS								
Model #	B-VENT	OA	A	B	C	D	E	F	G	H	I
4-LC-2-GL	8"	10"	48 13/32 [1,230]	24 [610]	24 [610]	18-9/16 [471]	53-3/4 [1,365]	26-7/8 [683]	24 [610]	42 [1,067]	50 [1,270]
5-LC-2-GL	8"	10"	60 13/32 [1,534]	24 [610]	24 [610]	18-9/16 [471]	65-3/4 [1,670]	32-7/8 [835]	24 [610]	42 [1,067]	50 [1,270]
6-LC-2-GL	10"	10"	72 13/32 [1,839]	24 [610]	24 [610]	18-9/16 [471]	77-3/4 [1,975]	38-7/8 [987]	24 [610]	42 [1,067]	50 [1,270]
7-LC-2-GL	10"	10"	84 13/32 [2,144]	24 [610]	24 [610]	18-9/16 [471]	89-3/4 [2,280]	44-7/8 [1,140]	24 [610]	42 [1,067]	50 [1,270]
4-LC-3-GL	8"	10"	48 13/32 [1,230]	36 [914]	36 [914]	18-9/16 [471]	53-3/4 [1,365]	26-7/8 [683]	24 [610]	54 [1,372]	62 [1,575]
5-LC-3-GL	8"	10"	60 13/32 [1,534]	36 [914]	36 [914]	18-9/16 [471]	65-3/4 [1,670]	32-7/8 [835]	24 [610]	54 [1,372]	62 [1,575]
6-LC-3-GL	10"	10"	72 13/32 [1,839]	36 [914]	36 [914]	18-9/16 [471]	77-3/4 [1,975]	38-7/8 [987]	24 [610]	54 [1,372]	62 [1,575]
7-LC-3-GL	10"	10"	84 13/32 [2,144]	36 [914]	36 [914]	18-9/16 [471]	89-3/4 [2,280]	44-7/8 [1,140]	24 [610]	54 [1,372]	62 [1,575]

2 - CUSTOM FIREPLACE SPECIFICATIONS

SPECIFICATIONS								
MODEL S#	DESCRIPTION	B-VENT	OA	REG PV	IN-LINE PV	BTU	NG ORIFICE	LP ORIFICE
4-LC-2-GL	4X2 LEFT CORNER	8"	10"	RSO12	RSIF160	60,000	(3X) #43	(3X) #55
5-LC-2-GL	5X2 LEFT CORNER	8"	10"	RSO12	RSIF160	80,000	(4X) #43	(4X) #55
6-LC-2-GL	6X2 LEFT CORNER	10"	10"	RSO14	RSIF180	100,000	(5X) #43	(5X) #55
7-LC-2-GL	7X2 LEFT CORNER	10"	10"	RSO14	RSIF180	120,000	(6X) #43	(6X) #55
4-LC-3-GL	4X3 LEFT CORNER	8"	10"	RSO12	RSIF160	60,000	(3X) #43	(3X) #55
5-LC-3-GL	5X3 LEFT CORNER	8"	10"	RSO12	RSIF160	80,000	(4X) #43	(4X) #55
6-LC-3-GL	6X3 LEFT CORNER	10"	10"	RSO14	RSIF180	100,000	(5X) #43	(5X) #55
7-LC-3-GL	7X3 LEFT CORNER	10"	10"	RSO14	RSIF180	120,000	(6X) #43	(6X) #55



WARNING: NON-COMBUSTIBLE ZONE: USE ONLY NON-COMBUSTIBLE MATERIAL IN THIS AREA FOR ENTIRE WIDTH OF FIREPLACE. DO NOT USE WOOD, SHEETROCK, ETC., IN THIS ZONE.



NOTE: OTHER CLEARANCES APPLY. ALL CLEARANCES MUST BE MAINTAINED. REFER TO PAGE 11 FOR MORE INFORMATION.

B. CLEARANCES

From unit left & right sides	1"	25mm
To flooring under fireplace	0	0
Unit top to ceiling	48"	122cm
Unit side to adjacent sidewall	1"	25mm

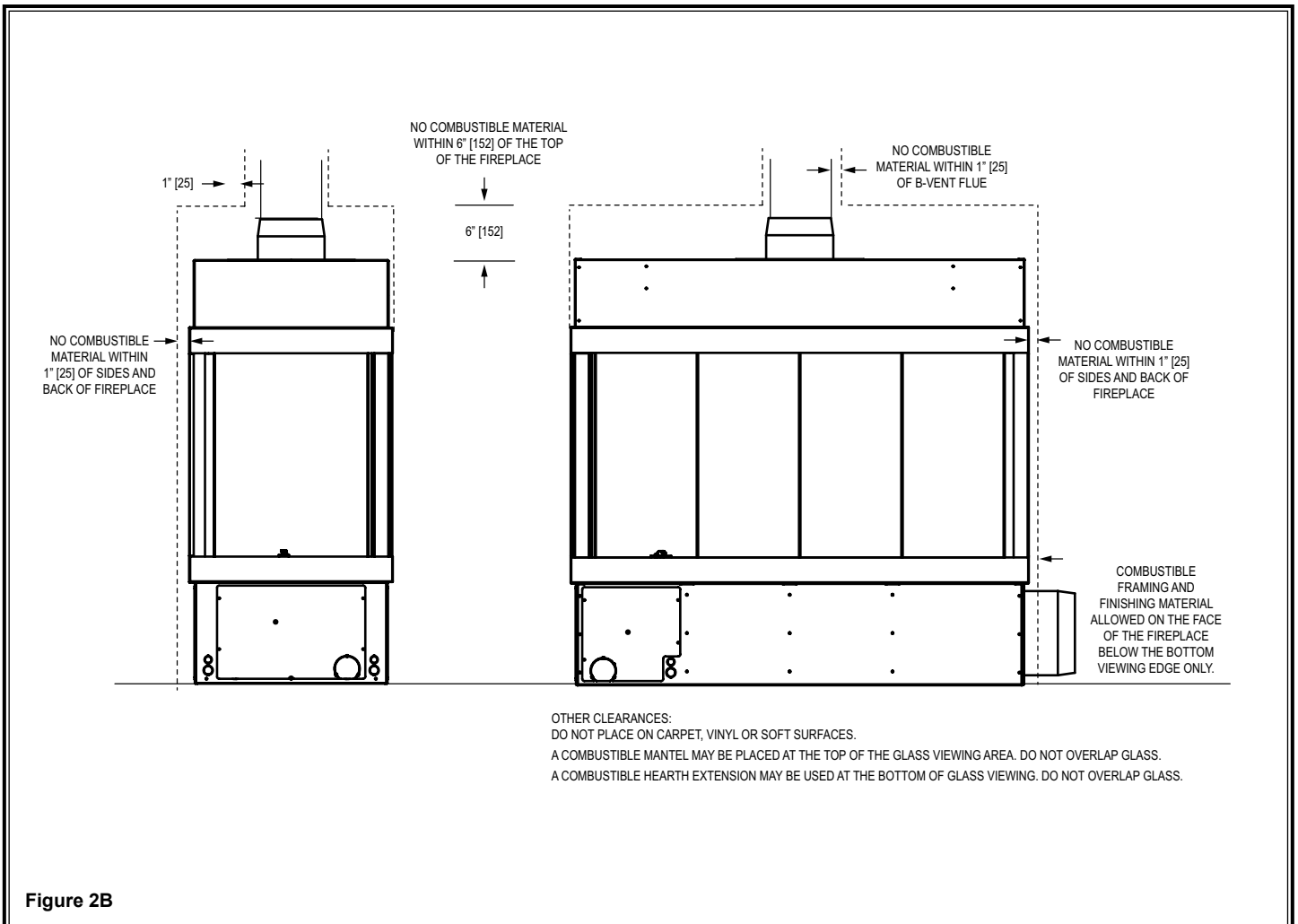


Figure 2B

2 - CUSTOM FIREPLACE SPECIFICATIONS



NOTE: The qualified installer should follow the procedure best suited for the installation.

C. INSTALLATION OVERVIEW

1. Frame an opening for fireplace, allowing for vent installation.
2. If masonry (optional) will be used, prepare foundation for the masonry load. A lintel is required to support the added weight above the fireplace.
3. Install hearth if desired.
4. Insert fireplace into framing.
5. Double check clearances to combustibles.
6. Complete gas line installation.
7. Complete electrical hook-up.
8. Complete venting installation.
9. Install facing material, mantel or cabinetry.
10. Install logs or glass and ember material or media.
11. Verify proper operation of fireplace and all components.

D. PLACEMENT CLEARANCE REQUIREMENTS

- This fireplace must be installed on a level surface capable of supporting the fireplace and venting.
- Fireplace must be placed directly on wood or non-combustible surface (not linoleum or carpet) extending entire depth and width of fireplace.
- Due to high surface temperatures, fireplace should be located out of traffic and away from furniture and draperies.
- This fireplace may be installed in a bedroom.
- Please be aware of the amount of heat this fireplace will produce when determining a location.

3 - PREPARE THE FIREPLACE



CAUTION: FIREPLACE IS NOT LOAD-BEARING.



NOTE: OTHER CLEARANCES APPLY. ALL CLEARANCES MUST BE MAINTAINED.

3 - PREPARE THE FIREPLACE



CAUTION: FIREPLACE IS NOT LOAD-BEARING.



NOTE: OTHER CLEARANCES APPLY. ALL CLEARANCES MUST BE MAINTAINED.

A. STANDOFF INSTALLATION

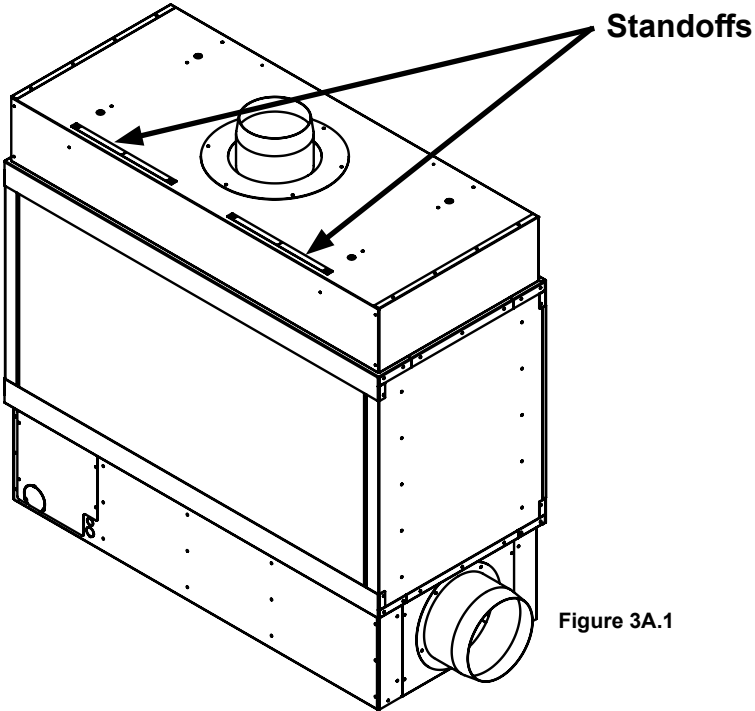


Figure 3A.1

STEP 1:
Locate the standoffs on top of the fireplace.

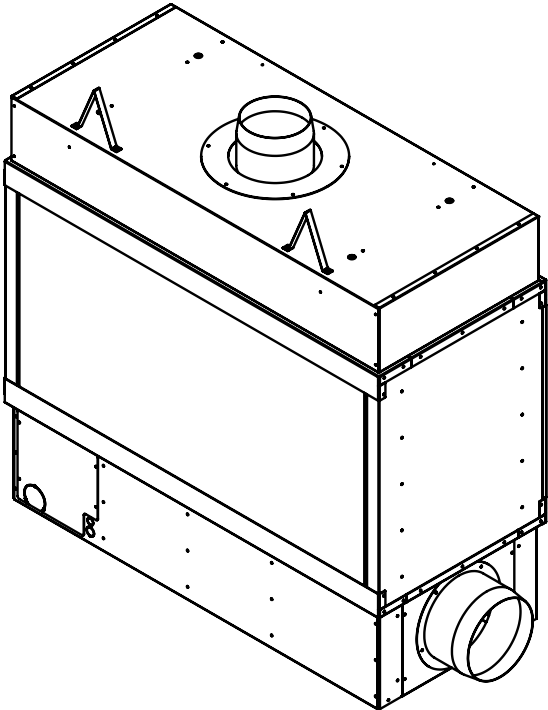


Figure 3A.2

STEP 2:
Remove the screws, fold up and replace screws for each standoff.

3 - PREPARE THE FIREPLACE

B. NAILING TABS

NOTE: Nailing tabs are found in the plastic installation manual bag with each fireplace.

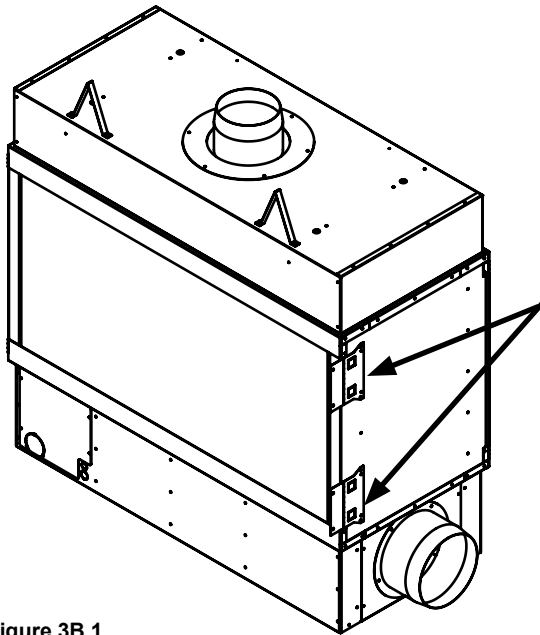


Figure 3B.1

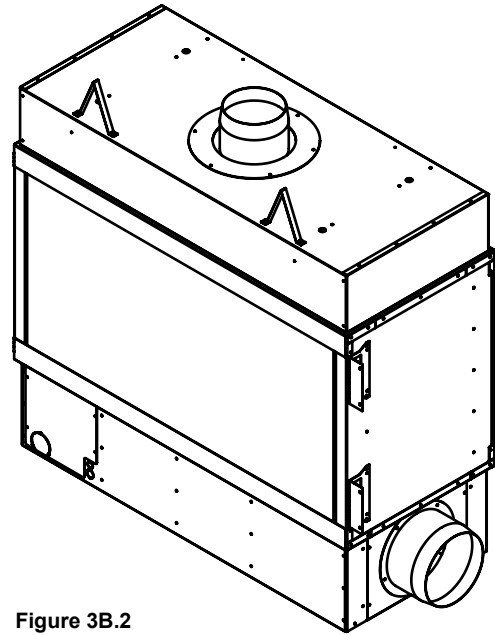


Figure 3B.2

STEP 1:
Remove two screws.
Place nailing tabs and replace the two screws.

STEP 2:
Fold out small tabs to form 1" standoffs.

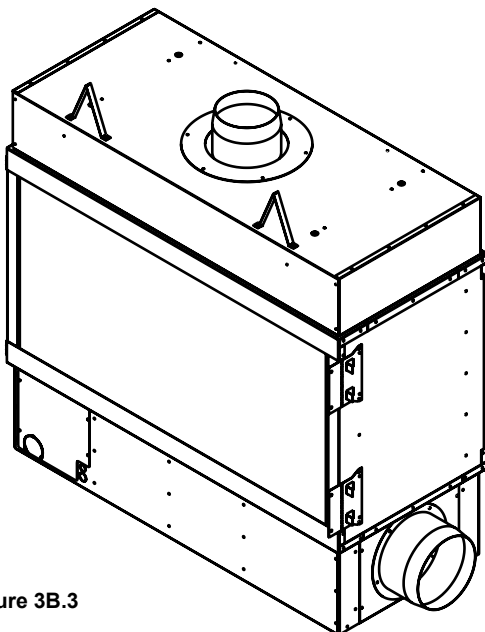


Figure 3B.3

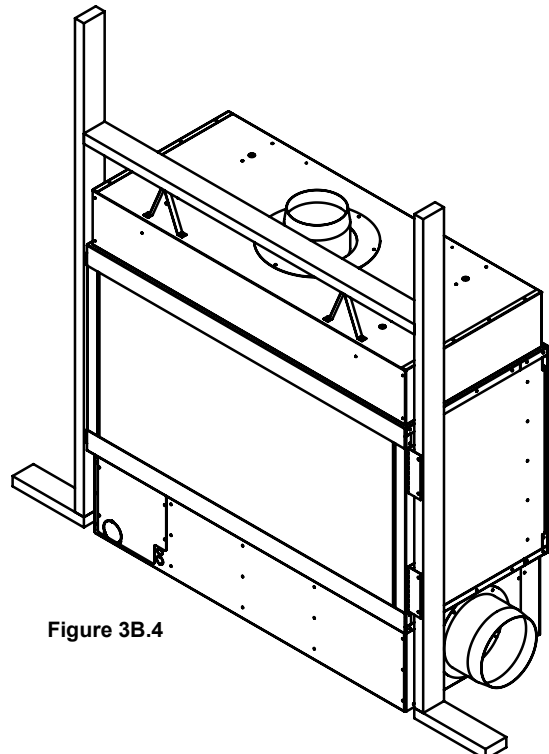


Figure 3B.4

STEP 3:
Bend over nailing tabs and secure to wall stud.

4 - FRAMING

LEFT CORNER

The hood shall be supported at specific locations using .250-20 UNC threaded rods.

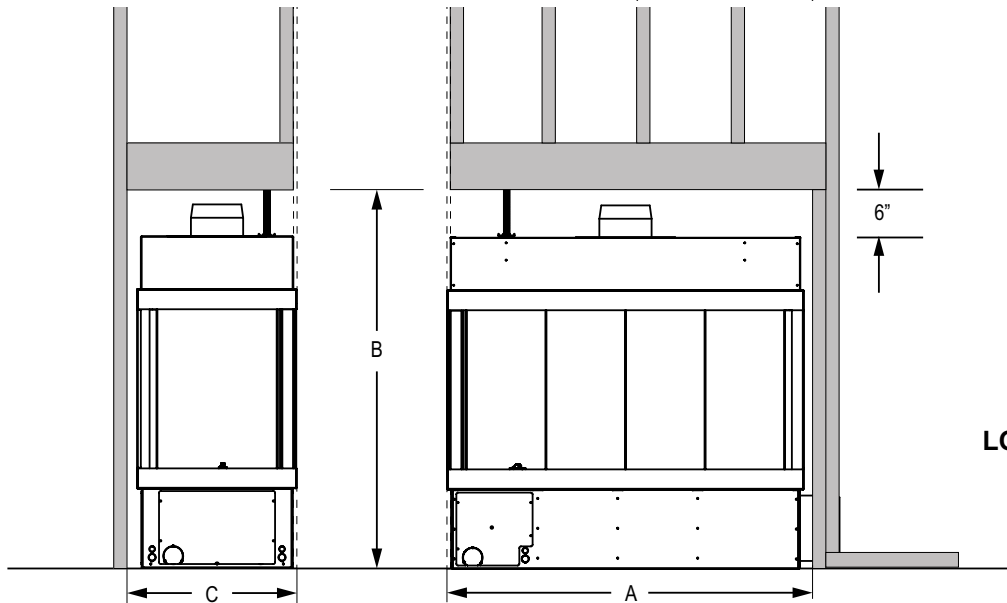
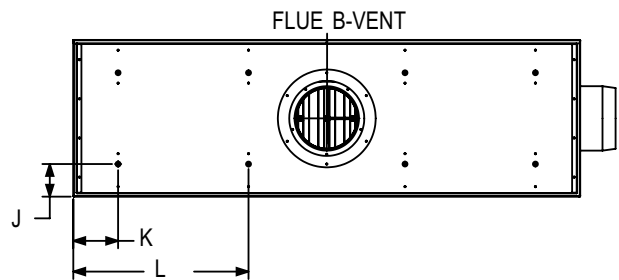
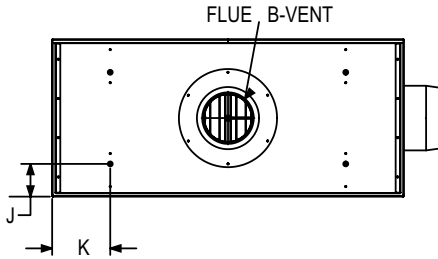
More top view dimensions found on Page 9.

MODEL	QTY	J	K
4'	1	5"	8 7/8"
5'	1	5"	11 7/8"

The hood shall be supported at specific locations using .250-20 UNC threaded rods.

More top view dimensions found on Page 9.

MODEL	QTY	J	K	L
6'	2	5"	6 7/8"	26 7/8"
7'	2	5"	6 7/8"	32 7/8"



**NOTE:
FIREPLACE
IS NOT
LOAD-BEARING**

NOTE: Make sure fireplace is square in both directions prior to finishing it in, or the glass will not fit properly.

LEFT CORNER			
Model #	WIDTH	HEIGHT	DEPTH
4-LC-2-GL	54-3/4 [1,391]	56 [1,422]	25 [636]
5-LC-2-GL	66-3/4 [1,695]	56 [1,422]	25 [636]
6-LC-2-GL	78-3/4 [2,000]	56 [1,422]	25 [636]
7-LC-2-GL	90-3/4 [2,305]	56 [1,422]	25 [636]
4-LC-3-GL	54-3/4 [1,391]	68 [1,727]	25 [636]
5-LC-3-GL	66-3/4 [1,695]	68 [1,727]	25 [636]
6-LC-3-GL	78-3/4 [2,000]	68 [1,727]	25 [636]
7-LC-3-GL	90-3/4 [2,305]	68 [1,727]	23 [584]]

IMPORTANT FRAMING NOTES:

FRAMING SHOULD BE BUILT AFTER THE FIREPLACE IS INSTALLED OR EXTRA CLEARANCE MUST BE PLANNED FOR AT THE INTAKE COLLAR.

FRAMING DIMENSIONS ASSUMING 1/2" [13] DRYWALL AND NON-COMBUSTIBLE BOARD USED.

THESE DIMENSIONS REPRESENT THE FRAMING DIMENSIONS FOR COMBUSTIBLE MATERIAL.

NON-COMBUSTIBLE FRAMING AND FINISHING MATERIALS MAY BE USED WITHIN THESE DIMENSIONS RIGHT UP THE UNIT.

NO COMBUSTIBLE MATERIAL WITHIN 6" [152] OF THE TOP OF THE FIREPLACE.

NO COMBUSTIBLE MATERIAL WITHIN 1" [25] OF THE SIDES AND BACK OF THE FIREPLACE.

COMBUSTIBLE MATERIAL SHALL NOT BE PLACED DIRECTLY ON THE FACE OF THE FIREPLACE, TOP AND SIDES.

STEEL SURFACE MAY BE COVERED WITH NON-COMBUSTIBLE FINISHING MATERIAL.

1" CLEARANCE TO THE B-VENT MUST BE MAINTAINED.

5 - MANTEL REQUIREMENTS



NOTE: Framing dimensions should allow for wall covering thickness and fireplace facing materials. When using a hearth, adjust rough opening size as necessary to maintain at least minimum clearance requirements.



CAUTION: Install fireplace on metal, concrete or hard wood surface extending the full width and depth of fireplace.



CAUTION: Vent cap location must be in compliance with guidelines on pages 15-19 of this manual.

If masonry is to be used (optional), prepare the necessary foundation for the masonry load. When masonry construction is being used, a lintel must be used over top of fireplace to support the added weight. Build hearth to desired size and height. If a hearth extension is desired, combustible material may be used.

5 - MANTEL REQUIREMENTS

NON-COMBUSTIBLE ZONE

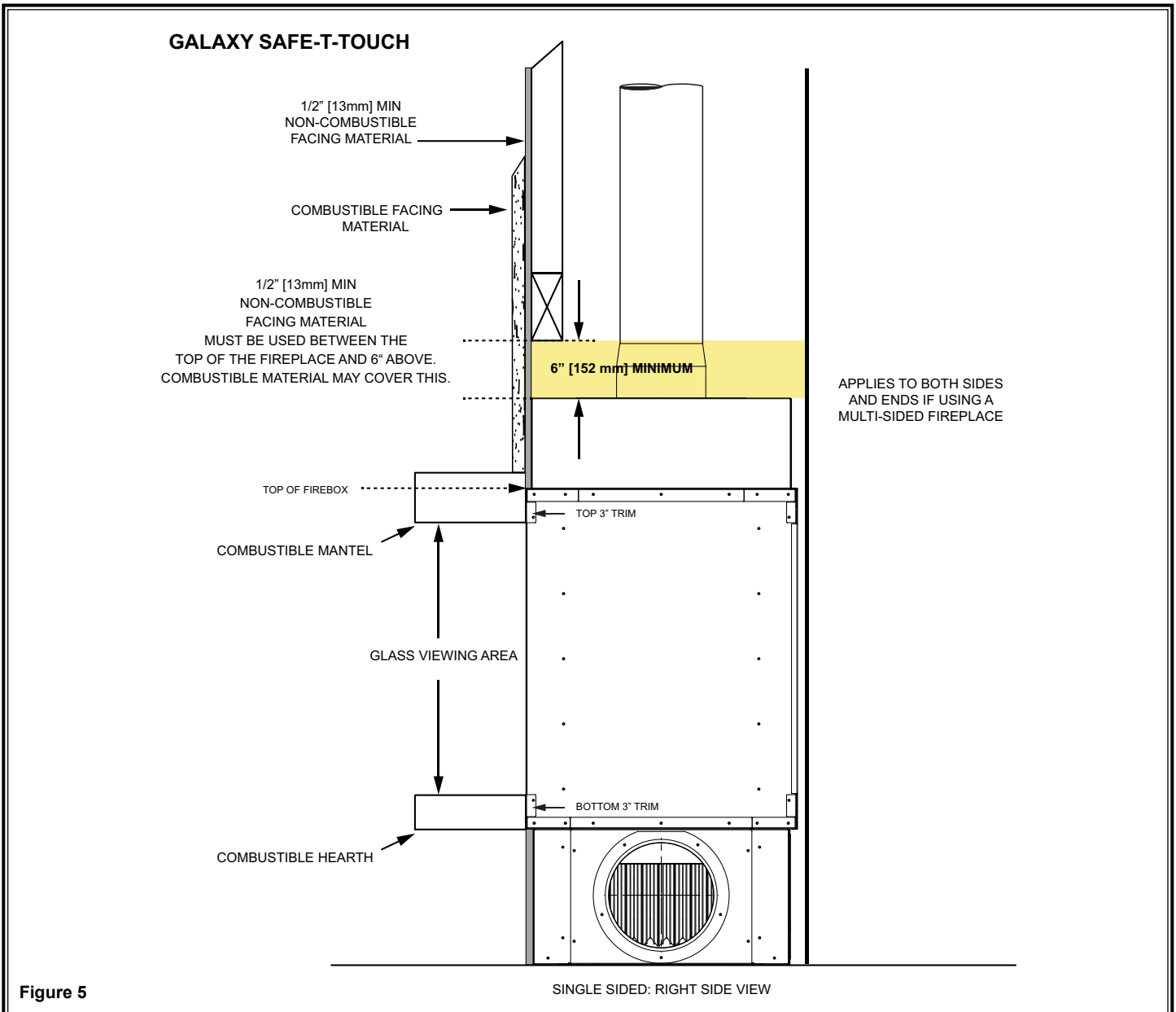


Figure 5

6 - GLASS FRAME ASSEMBLY (SAFE-T-TOUCH UNITS)

A. GLASS FRAME ASSEMBLY IDENTIFICATION

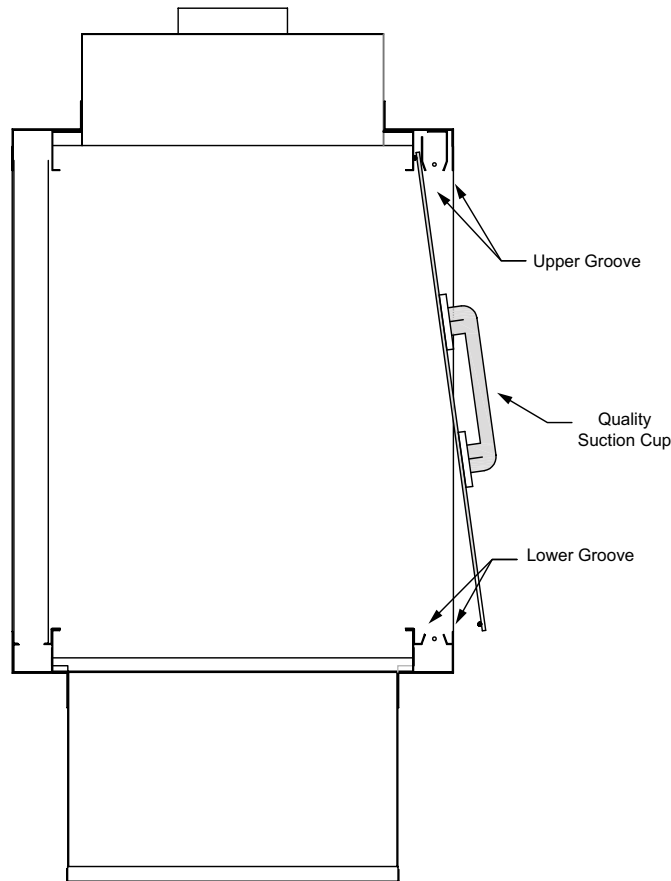


Figure 6A



CAUTION: TO PREVENT GLASS FRAME ASSEMBLY FROM FALLING FROM FIREPLACE AND BECOMING DAMAGED, FOLLOW THE INSTRUCTIONS EXACTLY WHEN REMOVING AND INSTALLING GLASS FRAME ASSEMBLY.



STOP: DO NOT OPERATE THIS FIREPLACE WITH THE GLASS REMOVED, CRACKED OR BROKEN. REPLACEMENT OF GLASS ASSEMBLY SHOULD BE DONE BY A LICENSED OR QUALIFIED SERVICE PERSON.



WARNING: DO NOT REMOVE GLASS ASSEMBLY WHEN HOT!!!!



NOTE: GLASS REMOVAL AND INSTALLATION MUST BE PERFORMED WITH TWO PEOPLE.



NOTE: Glass must be removed using quality suction cups. DO NOT attempt to remove the glass without using proper suction cups.

B. GLASS PANEL SIZES

REFER TO THE REPLACEMENT PARTS IN THE ADDENDUM FOR EXACT GLASS SIZES APPLICABLE TO YOUR FIREPLACE.

6 - GLASS FRAME ASSEMBLY (SAFE-T-TOUCH UNITS)

Refer to Glass Frame Assembly Identification (Figure 6A) when removing or installing the glass frame assembly.

C. REMOVE GLASS FRAME ASSEMBLY

1. Apply the suction cups to the outer glass panel following the instructions included with the suction cups.
2. Gently lift the glass until the bottom edge is clear of the groove it sits in.
3. Bring the bottom edge of the glass towards you while lowering it to disengage it from the top groove.
4. Sit the glass on a padded surface to protect it. **IMPORTANT:** Protect the glass's edges.
5. Remove the lower trim panel that sits between the layer of glass.
6. Remove the bolts holding the inner trim vertical panels. Remove the panels.
7. Using the suction cups, remove the inner panel in the same manner.

D. INSTALL GLASS FRAME ASSEMBLY

1. Apply the suction cups to the inner glass assembly, following instructions included with the suction cups.
2. Lift the glass into place. The top edge slips into the top groove, lift into the groove until the bottom is clear of the bottom trim. Slide the glass down into the inner bottom groove.



Figure 6D.1

3. Push glass trim into place on each side. See Figure 6D.1



Figure 6D.2

4. Place the long horizontal trim piece between the lower glass clips. Slide back against the vertical trim piece. See Figure 6D.2 and Figure 6D.3.
5. Apply the suction cups to the outer unframed of glass and lift it into place in the same manner.

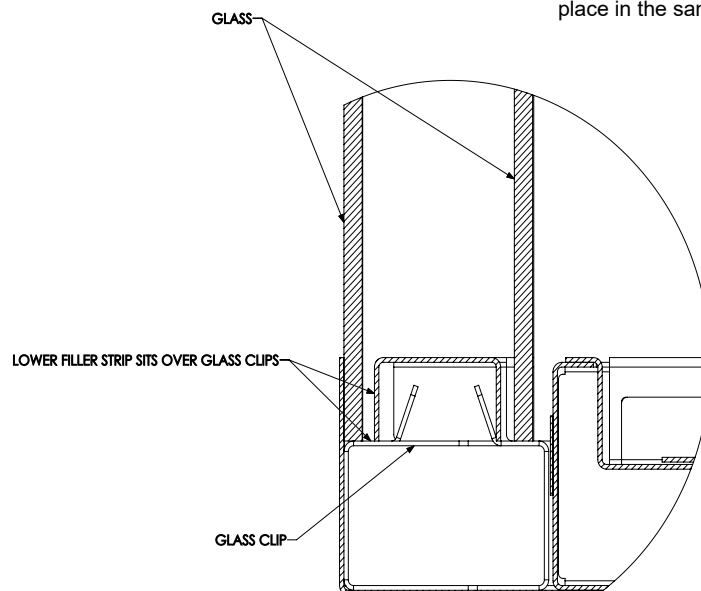


Figure 6D.3

7 - GAS LINE SPECIFICATIONS

This fireplace is manufactured for use with NG (Natural Gas) or LP (Propane).



CAUTION: Installation of the gas line must only be done by a qualified person in accordance with local building codes, if any. If not, follow ANSI 223.1.



NOTE: The appliance and its individual shutoff valve must be disconnected from the gas supply piping system during any pressure testing of that system at pressures in excess of ½ psi.



NOTE: The appliance must be isolated from the gas supply piping system by closing its individual manual shut-off valve during any pressure testing of the gas line at test pressures equal to or less than ½ psi (3.5 kPa).



NOTE: For high altitude installations, consult Stellar Hearth Products directly for proper rating methods.

GAS LINE CONNECTION	LP	NG
MINIMUM INLET GAS PRESSURE	11.0 inches W.C. (recommended)	7.0 inches W.C. (recommended)
MAXIMUM INLET GAS PRESSURE	14.0 inches W.C.	10.0 inches W.C.
MANIFOLD PRESSURE (HI)	10.0 inches W.C.	3.5 inches W.C.
ORIFICE SIZE	SEE CHART ON PAGE 6	SEE CHART ON PAGE 6
INPUT BTU/HR	SEE CHART ON PAGE 6	SEE CHART ON PAGE 6

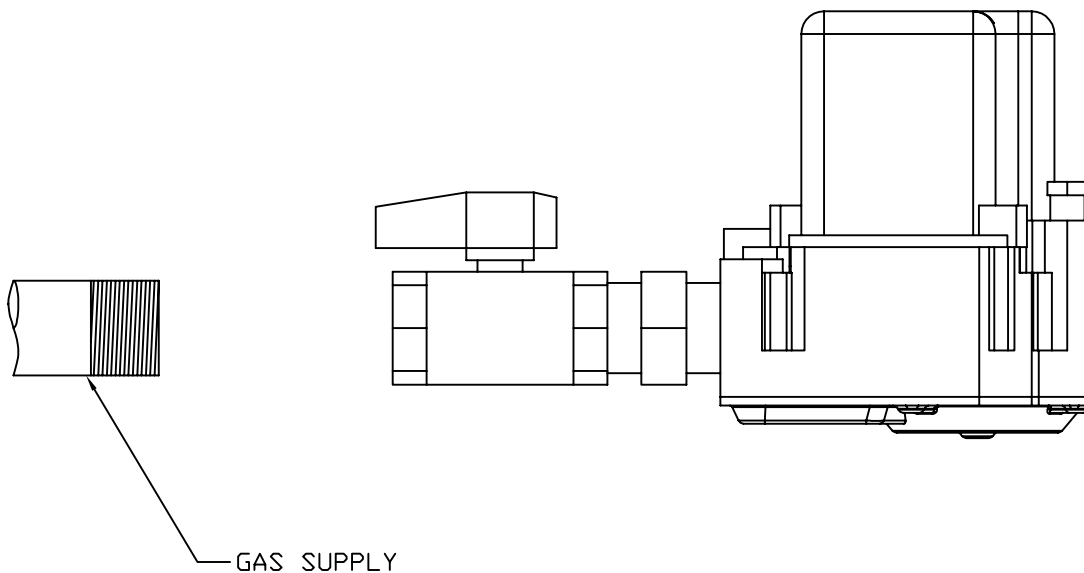


Figure 7

8 - VENTING



CAUTION: Consult the local and national installation codes to assure adequate combustion and ventilation air is available.



NOTE: Flame height and appearance will vary depending upon venting configuration and type of fuel used. Venting requirements apply to both Natural and LP gas.



STOP: MAINTAIN ALL CLEARANCES AS STATED IN THIS INSTALLATION MANUAL.

A. APPROVED VENTING

MODEL S#	DESCRIPTION	SPECIFICATIONS									
		B-VENT	OA	REG PV	IN-LINE PV	BTU	NG ORIFICE	LP ORIFICE	VOLTS	AMPS	HP
4-LC-2-GL	4X2 LEFT CORNER	8"	10"	RSO12	RSIF160	60,000	(3X) #43	(3X) #55	120	5.8	.35
5-LC-2-GL	5X2 LEFT CORNER	8"	10"	RSO12	RSIF160	80,000	(4X) #43	(4X) #55	120	5.8	.35
6-LC-2-GL	6X2 LEFT CORNER	10"	10"	RSO14	RSIF180	80,000	(5X) #43	(5X) #55	120	5.8	.35
7-LC-2-GL	7X2 LEFT CORNER	10"	10"	RSO14	RSIF180	120,000	(6X) #43	(6X) #55	120	5.8	.35
4-LC-3-GL	4X3 LEFT CORNER	8"	10"	RSO12	RSIF160	60,000	(3X) #43	(3X) #55	120	5.8	.35
5-LC-3-GL	5X3 LEFT CORNER	8"	10"	RSO12	RSIF160	80,000	(4X) #43	(4X) #55	120	5.8	.35
6-LC-3-GL	6X3 LEFT CORNER	10"	10"	RSO14	RSIF180	100,000	(5X) #43	(5X) #55	120	5.8	.35
7-LC-3-GL	7X3 LEFT CORNER	10"	10"	RSO14	RSIF180	120,000	(6X) #43	(6X) #55	120	5.8	.35

Refer to the vent systems manufacturer's installation manual for complete installation instructions. Installation must conform with the venting requirements and restrictions as outlined in this manual. SEE CHART ABOVE FOR SIZE diameter B-Type Venting that must be used. UL/CSA approved B-Vent only. DO NOT decrease the vent size.

Vent runs are approved for up to 110 feet with quantity of 11, 90 degree elbows. This is not the case with all instances. You must have venting scenario approved by Stellar Hearth Products.

Available In-Line Power Venting

An in-line power vent (RSIF series from Enervex) is approved for use with Stellar fireplaces. The in-line power vent must be specified and approved for use by Stellar Hearth. All vent runs after an in-line power vent must use Fast-N-Seal pressure approved pipe by Duravent. Follow vent pipe clearance instruction. DO NOT use B-Vent after an in-line power vent.



NOTE: All joints must be sealed. High Temp RTV Silicone and/or foil tap **MUST** be used on each joint. Failure to do so may cause lack of vacuum and may not trigger the vacuum switch.

B. HORIZONTAL VENT SYSTEM CLEARANCES

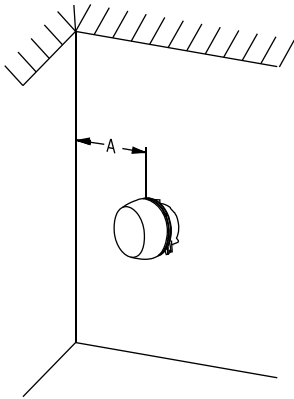
ALL APPROVED VENTING	TOP	BOTTOM	SIDES
HORIZONTAL	1 inch (25mm)	1 inch (25mm)	1 inch (25mm)

C. WALL PASS-THROUGH - Follow all local codes for requirement of firestops.

8 - VENTING

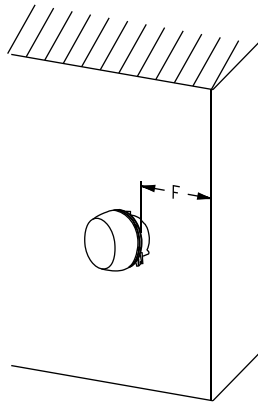
E. HORIZONTAL TERMINATION VENT CAP LOCATION & CLEARANCES

Inside Corner



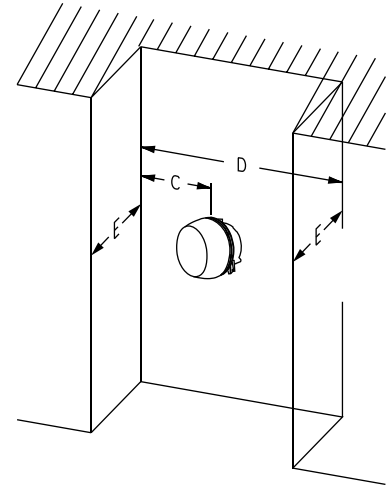
A = Combustible 24" (609.6mm)
= Non-combustible 12" (304.8mm)

Outside Corner



F = Combustible 6" (152mm)
= Non-combustible 6" (152mm)

Recessed Location

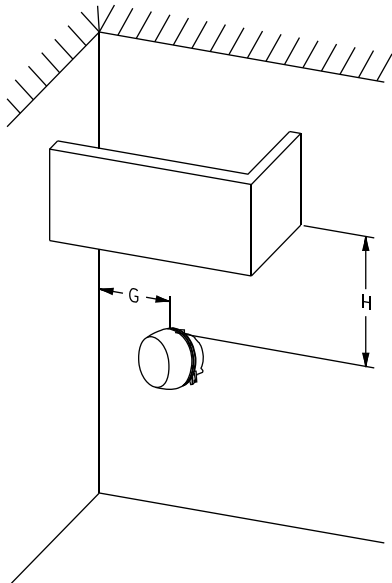


C = Clearance from corner in recessed location
= Combustible 24" (609.6mm)
= Non-combustible 12" (304.8mm)

D = Minimum width for back wall of a recessed location
= Combustible 64" (1,625.6mm)
= Non-combustible 40" (1,016mm)

E = Maximum depth of 48" (1,219mm) for recessed location

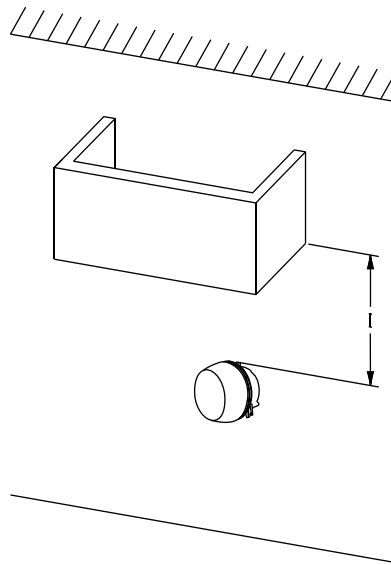
Balcony with perpendicular side wall



G = Combustible 24" (609.6mm)
= Non-combustible 12" (304.8mm)

H = Combustible 24" (609.6mm)
= Non-combustible 12" (304.8mm)

Balcony with no side wall



I = Combustible 24" (609.6mm)
= Non-combustible 12" (305mm)

IMPORTANT:
All dimensions are from the edge of the cap.

Figure 8E.2

8 - VENTING

F. VERTICAL VENT CAP LOCATION AND CLEARANCES

ROOF PITCH	H (Min.) Ft.	H (Min.) M
FLAT TO 6/12	1.0*	0.30
OVER 6/12 TO 7/12	1.25*	0.38
OVER 7/12 TO 8/12	1.5*	0.46
OVER 8/12 TO 9/12	2.0*	0.61
OVER 9/12 TO 10/12	2.5*	0.76
OVER 10/12 TO 11/12	3.25*	0.99
OVER 11/12 TO 12/12	4.0	1.22
OVER 12/12 TO 14/12	5.0	1.52
OVER 14/12 TO 16/12	6.0	1.83
OVER 16/12 TO 18/12	7.0	2.13
OVER 18/12 TO 20/12	7.5	2.27
OVER 20/12 TO 21/12	8.0	2.44

* = 3 foot minimum in snowy regions

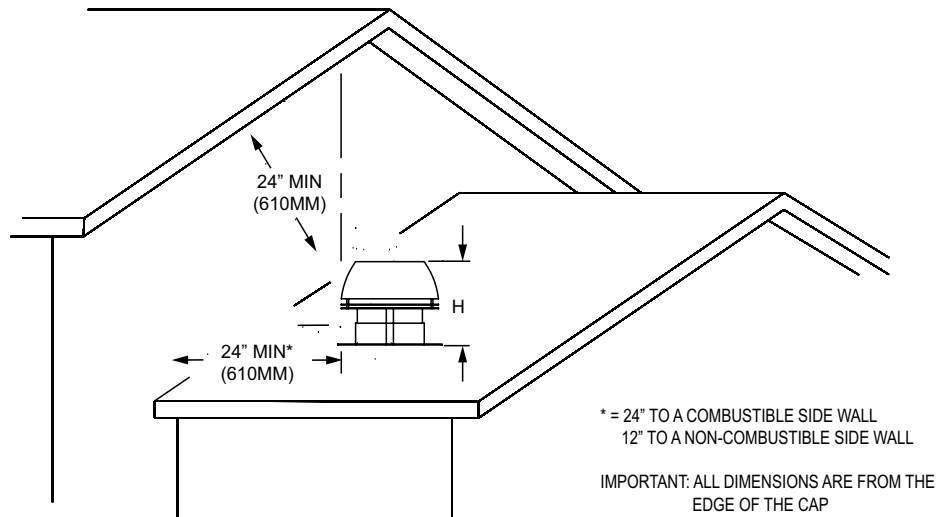
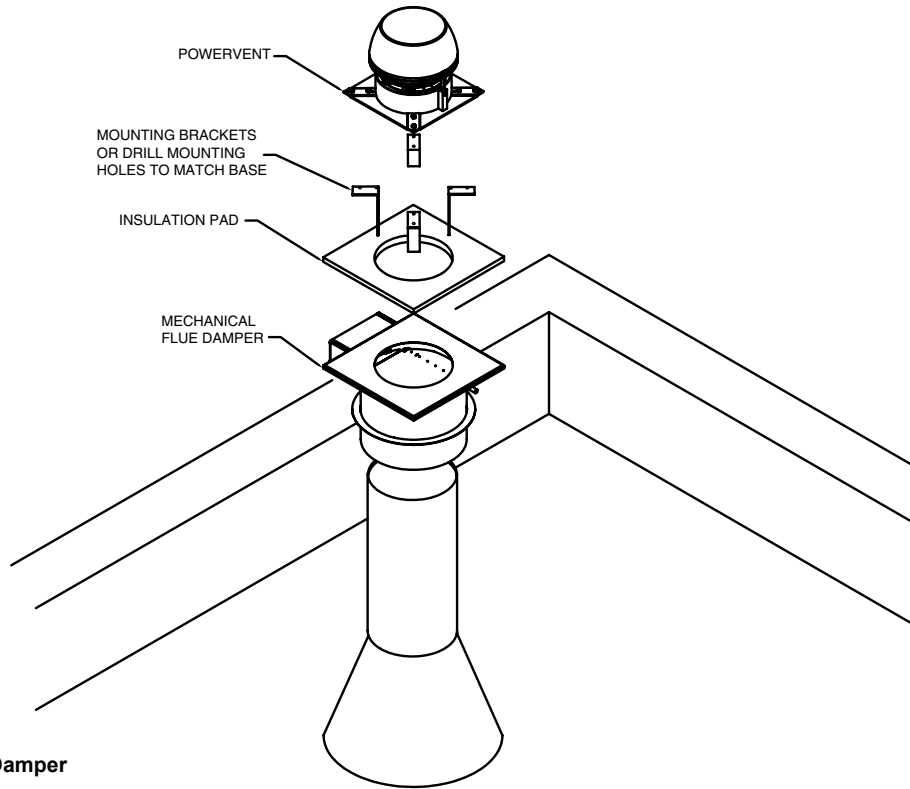


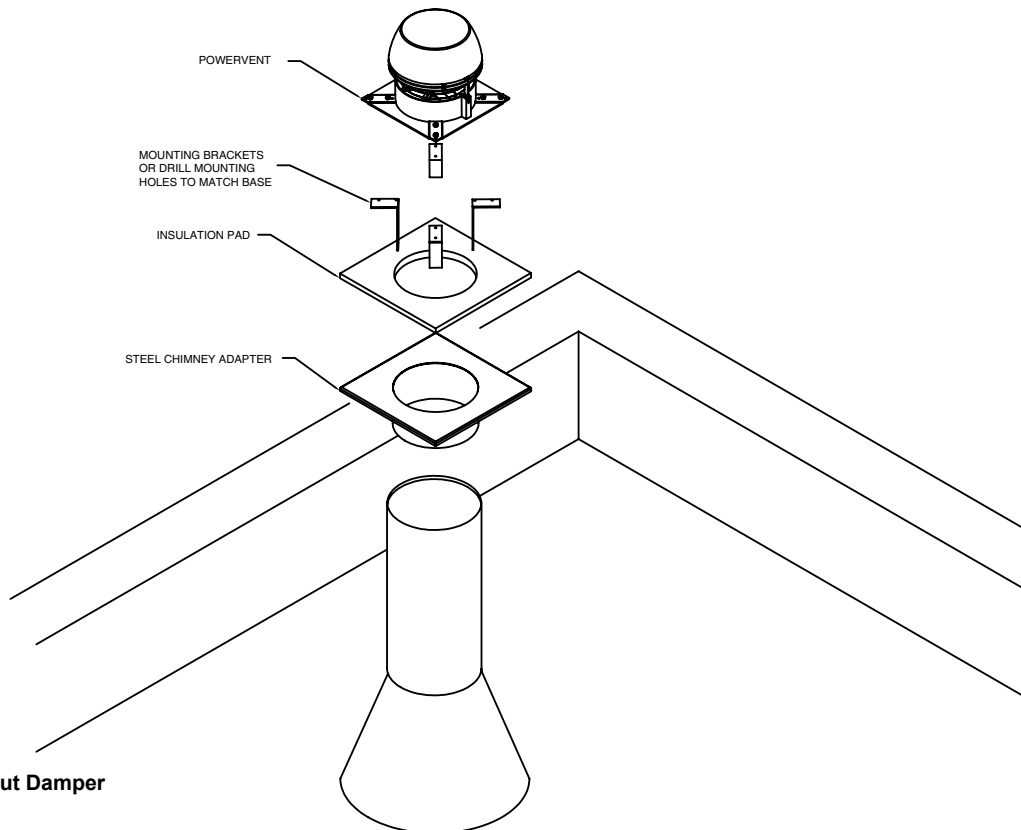
Figure 8F

8 - VENTING

G. ROOF TERMINATION CAP INSTALLATION - WITH AND WITHOUT DAMPER



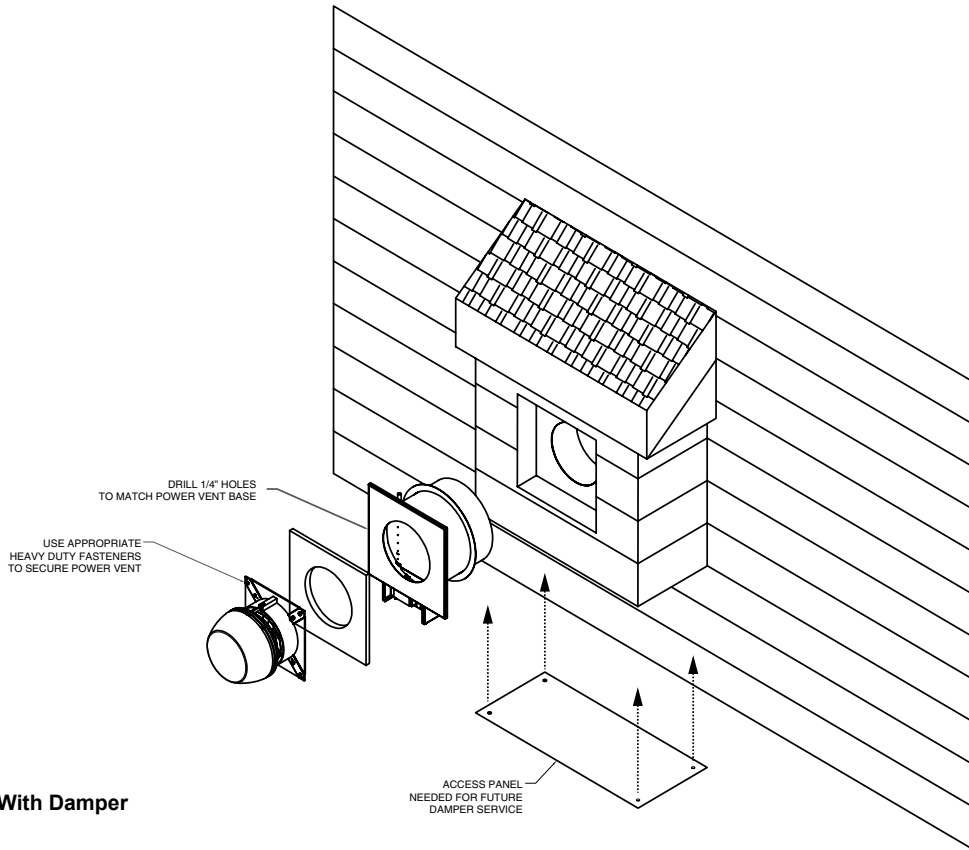
Roof Termination With Damper
Figure 8G.1



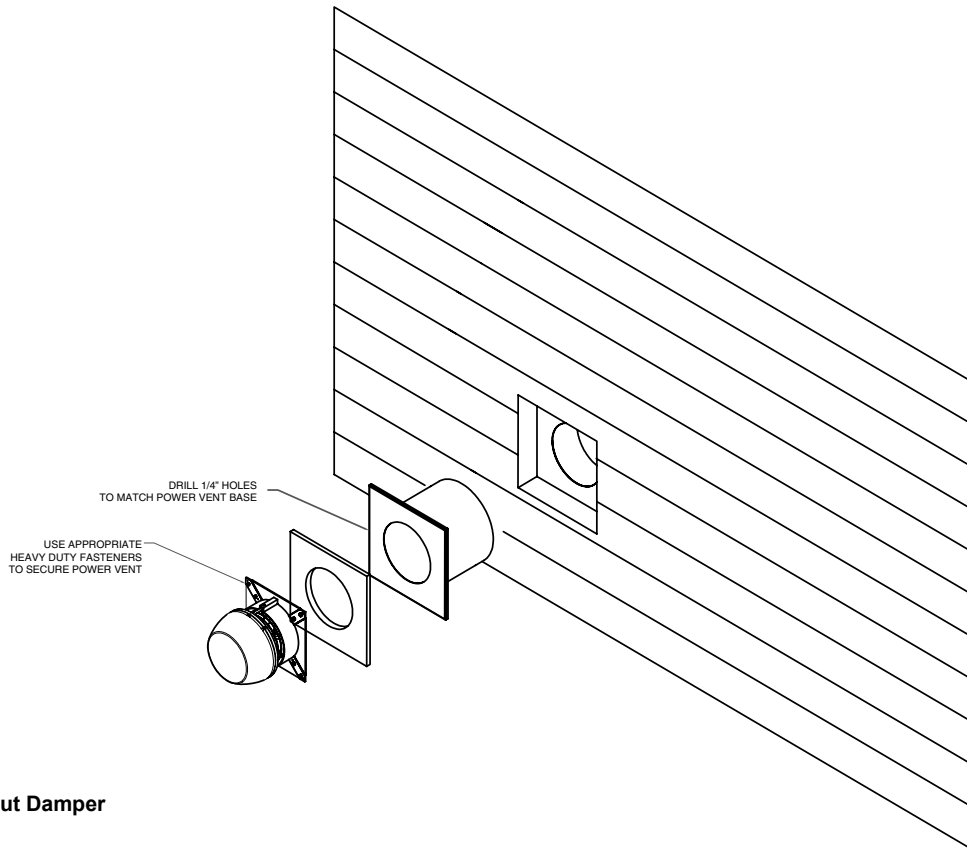
Roof Termination Without Damper
Figure 8G.2

8 - VENTING

H. WALL TERMINATION - WITH AND WITHOUT DAMPER



Wall Termination With Damper
Figure 8H.1



Wall Termination Without Damper
Figure 8H.2

I. INTAKE AIR

This fireplace has options of air intake connections the side and the bottom of the fireplace. Use chart on Page 13 to determine which size outside metal pipe you should use for your fireplace. Connect only to metal intake pipe or Stellar Hearth approved flexible pipe. Insulate all exposed pipe against cold air/frost. The intake pipe must maintain 1.5X the square inches of the flue pipe in free area. Intake screen/vent must be sized appropriately. Failure to do so will result in higher operating temperatures.

The fireplace may also take room air for combustion. Intake screen/vent must be sized appropriately. You must plan for the replacement air that is consumed from the room by the fireplace.

Use the table below for reference on CFM replacement air and open air requirements or consult Stellar Hearth directly for more information.

Fireplace Size	Required CFM	Open Air Requirement
4'	480 CFM	75 Sq. Inches
5'	640 CFM	75 Sq. Inches
6'	800 CFM	75 Sq. Inches
7'	960 CFM	75 Sq. Inches

J. CHANGING FROM SIDE INTAKE AIR TO BOTTOM INTAKE AIR

Step 1: Remove 4 screws that hold collar plate in place.
Refer to Figure 8J.1

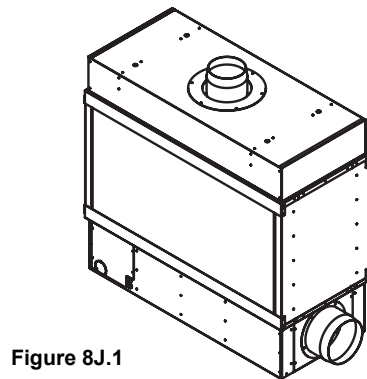


Figure 8J.1

Step 2: Slide collar plate off fireplace.
Refer to Figure 8J.2

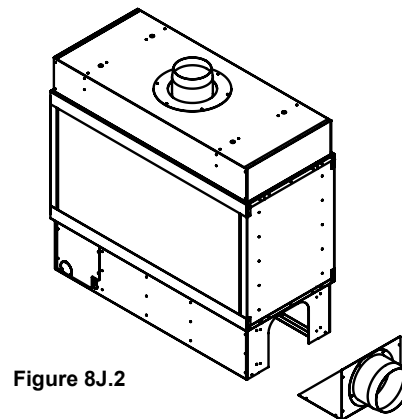


Figure 8J.2

Step 3: Turn plate so collar is facing down, slide plate into slots on each side.
Refer to Figure 8J.3A and Figure 8J.3B

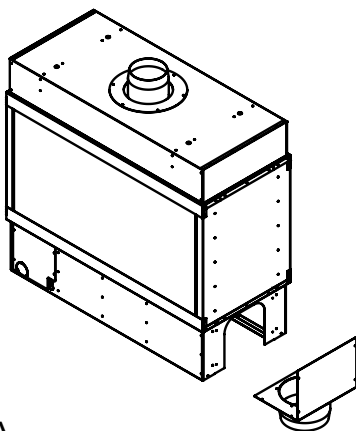


Figure 8J.3A

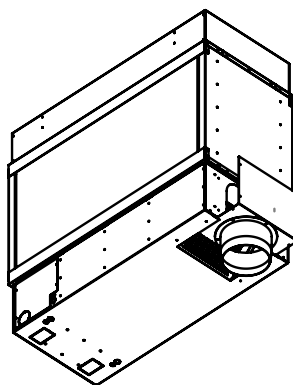


Figure 8J.3B

Step 4: Re-attach the plate with four screws.
Refer to Figure 8J.4

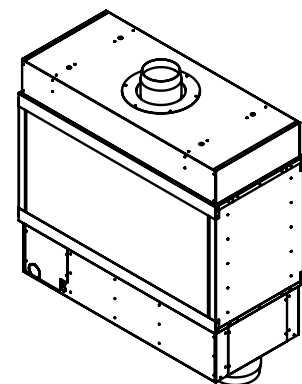


Figure 8J.4

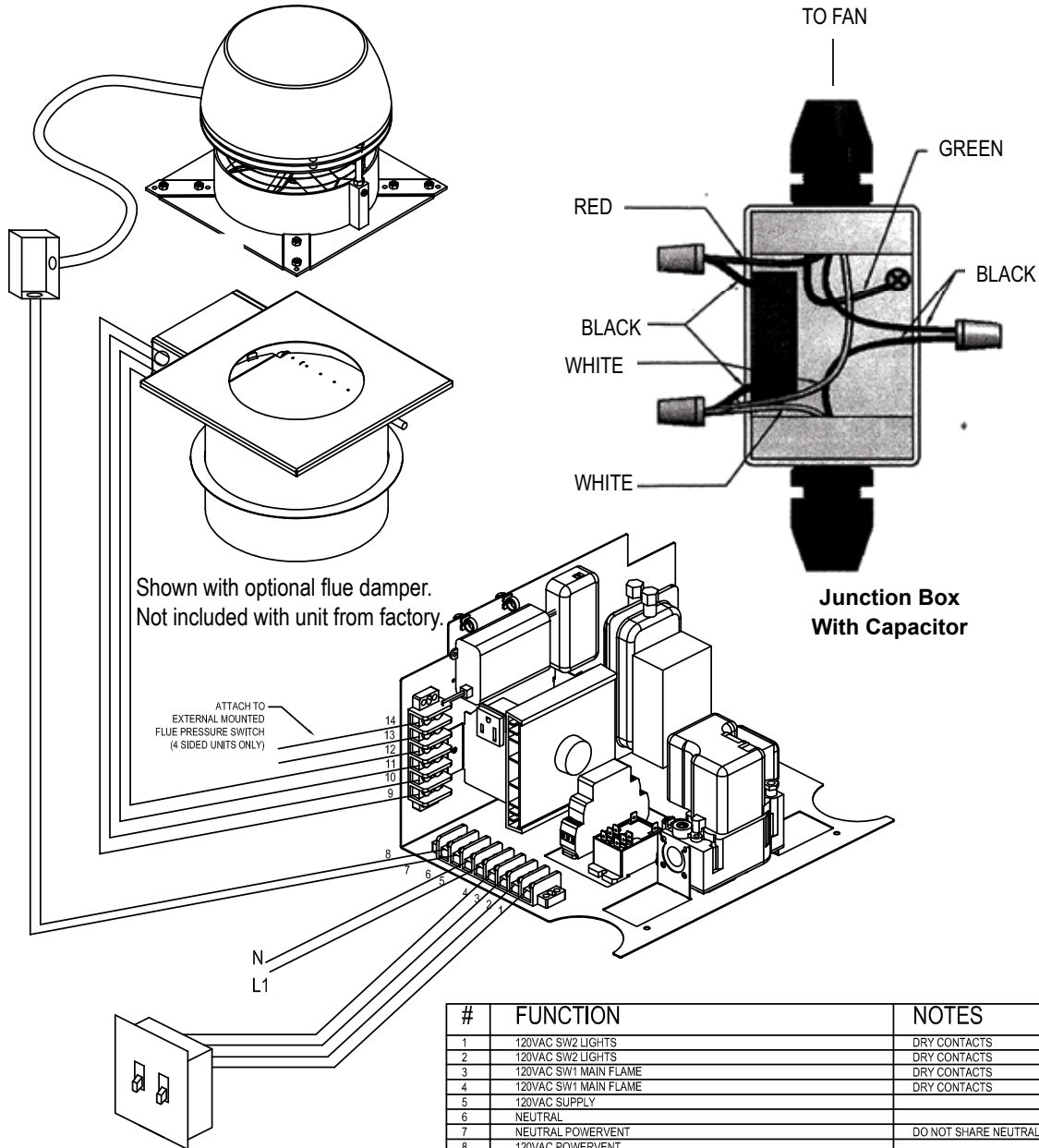
9 - GALAXY - FIELD WIRING

A. FIELD WIRING (AT INSTALL)

Figure 9A

ENERVEX POWERVENT SYSTEMS			
CAP	VAC	AMP	HP
RS012	120	3.2	1/10
RS014	120	3.4	1/7
RSIF160	120	4.9	1/4
RSIF180	120	7.8	1/2

*Cap shown is from the RS0 Series



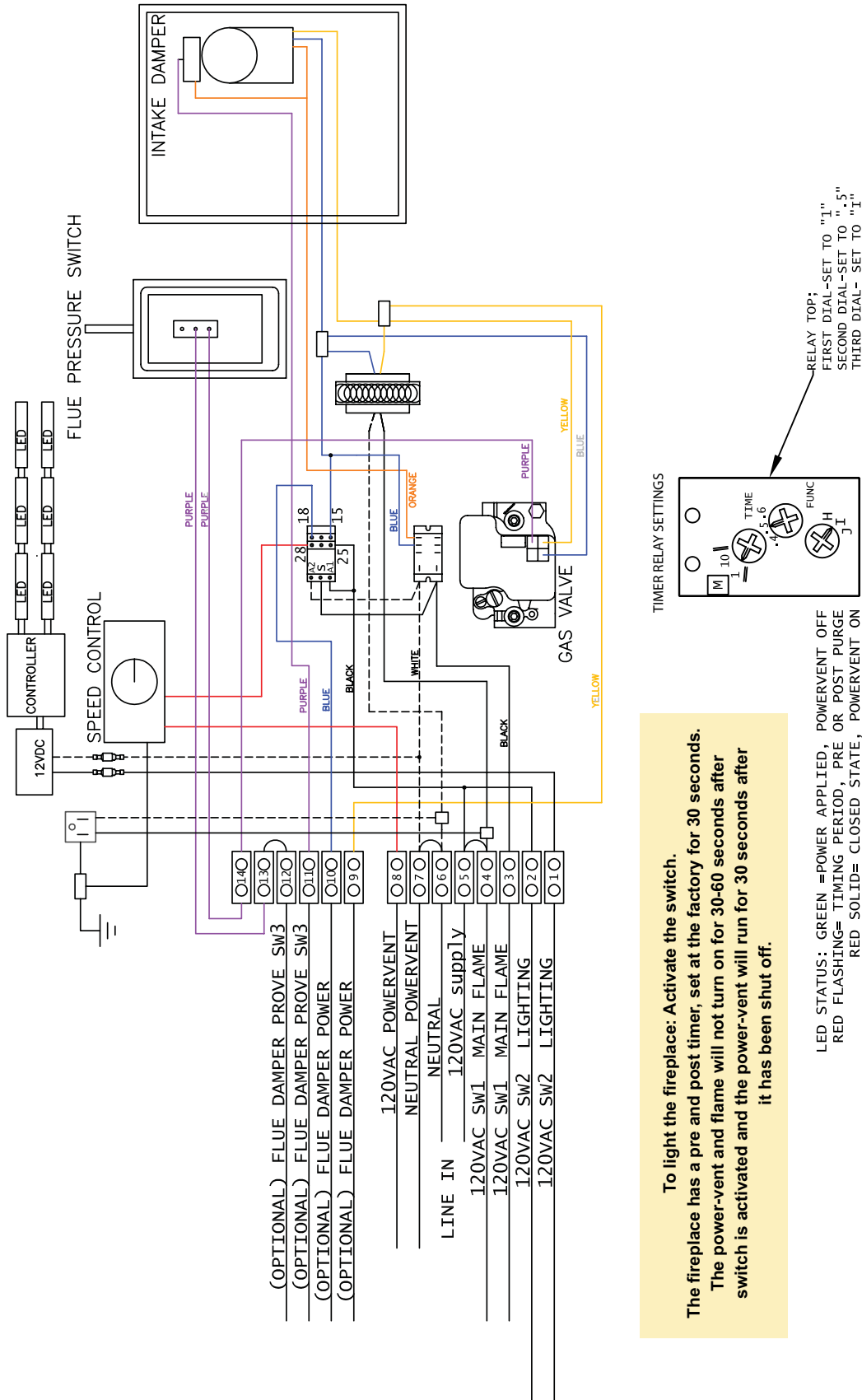
Note:

The fireplace has a pre and post timer set at 30 seconds. The power-vent and flame will not turn on for 30-60 seconds after the keyed valve is turned on, and the power-vent will run for 30 seconds after it has been shut off.

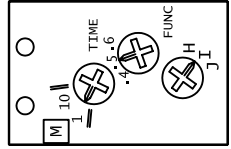
9 - GALAXY - FACTORY WIRING

B. FIELD WIRING (SERVICE & TROUBLESHOOTING)

Figure 9B



TIMER RELAY SETTINGS



To light the fireplace: Activate the switch.
The fireplace has a pre and post timer, set at the factory for 30 seconds.
The power-vent and flame will not turn on for 30-60 seconds after switch is activated and the power-vent will run for 30 seconds after it has been shut off.

LED STATUS: GREEN =POWER APPLIED, POWERVENT OFF
 RED FLASHING= TIMING PERIOD, PRE OR POST PURGE
 RED SOLID= CLOSED STATE, POWERVENT ON

9 - GALAXY - ELECTRIC

C.1 TERMINALS 1 & 2 - LED Lights

TERMINALS 1 AND 2 LED LIGHTING

TERMINAL #2 HAS 120VAC POWER
TO SUPPLY A SWITCH, RELAY, TIMER,
REMOTE, ETC.

TERMINAL #1 RETURNS 120VAC POWER
TO ACTIVATE TO ACTIVATE THE LED DRIVER.

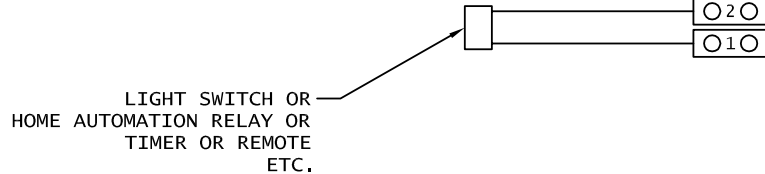
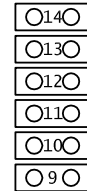


Figure 9C.1
Terminals 1 & 2

C.2 TERMINALS 3 & 4 - Main Flame

TERMINALS 3 AND 4 MAIN FLAME

TERMINAL #4 HAS 120VAC POWER
TO SUPPLY A SWITCH, RELAY, TIMER,
REMOTE, ETC.

TERMINAL #3 RETURNS 120VAC POWER
TO ACTIVATE TO MAIN FLAMES.

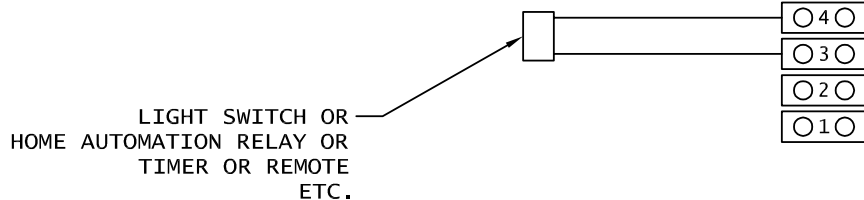
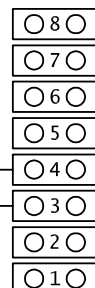
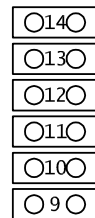


Figure 9C.2
Terminals 3 & 4

9 - GALAXY - ELECTRIC

C.3 TERMINALS 5 & 6 - Fireplace Power

TERMINALS 5 AND 6 FIREPLACE POWER

TERMINAL #5 IS THE 120VAC POWER SUPPLY FOR THE FIREPLACE. THIS IS A CONSTANT POWER SUPPLY AND SHOULD NOT BE SWITCHED. A SERVICE DISCONNECT MAY BE DESIRED.

TERMINAL #6 IS THE NEUTRAL CONNECTION.

LINE IN

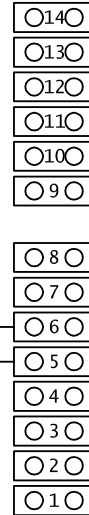
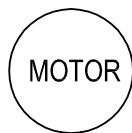


Figure 9C.3
Terminals 5 & 6

C.4 TERMINALS 7 & 8 - Powervent Connection

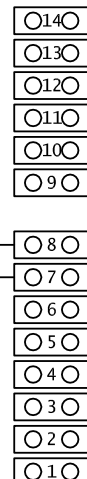


TERMINAL #7 IS THE NEUTRAL CONNECTION FOR THE POWERVENT MOTOR.

TERMINAL #8 IS THE HOT CONNECTION FOR THE POWERVENT MOTOR FROM THE SPEED CONTROL.

POWERVENT POWER MUST COME FROM THE TERMINAL BLOCK AND NOT ANY OTHER POWER SOURCE.

120VAC POWERVENT
NEUTRAL POWERVENT

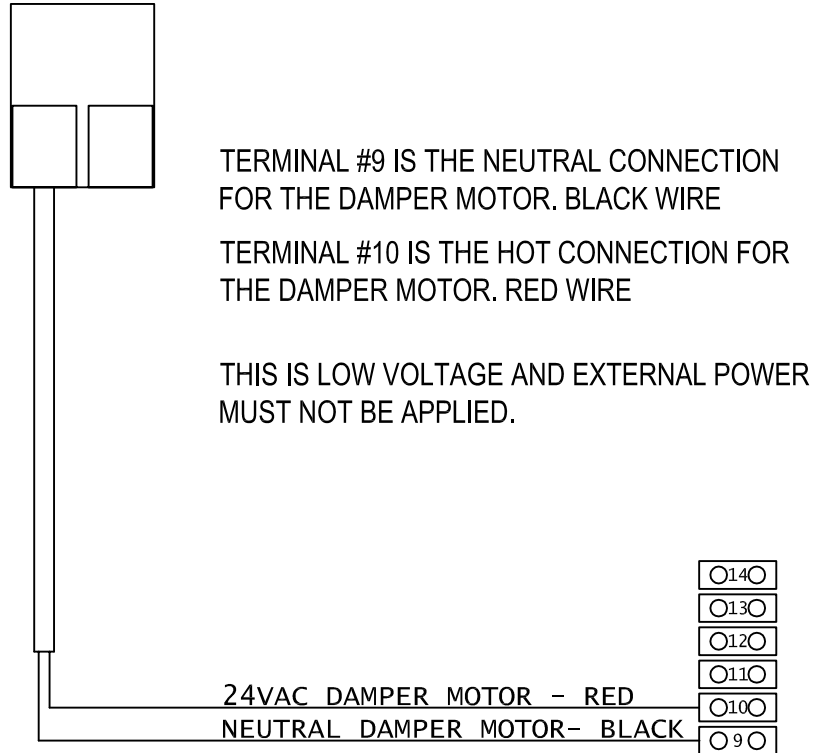


TERMINALS 7 AND 8 POWERVENT CONNECTION

Figure 9C.4
Terminals 7 & 8

9 - GALAXY - ELECTRIC

C.5 TERMINALS 9 & 10 - Flue Damper Connection



TERMINALS 9 AND 10 FLUE DAMPER CONNECTION

NOTE: OPTIONAL
IF A DAMPER IS NOT USED DO NOT CONNECT
ANYTHING TO TERMINALS 9 & 10

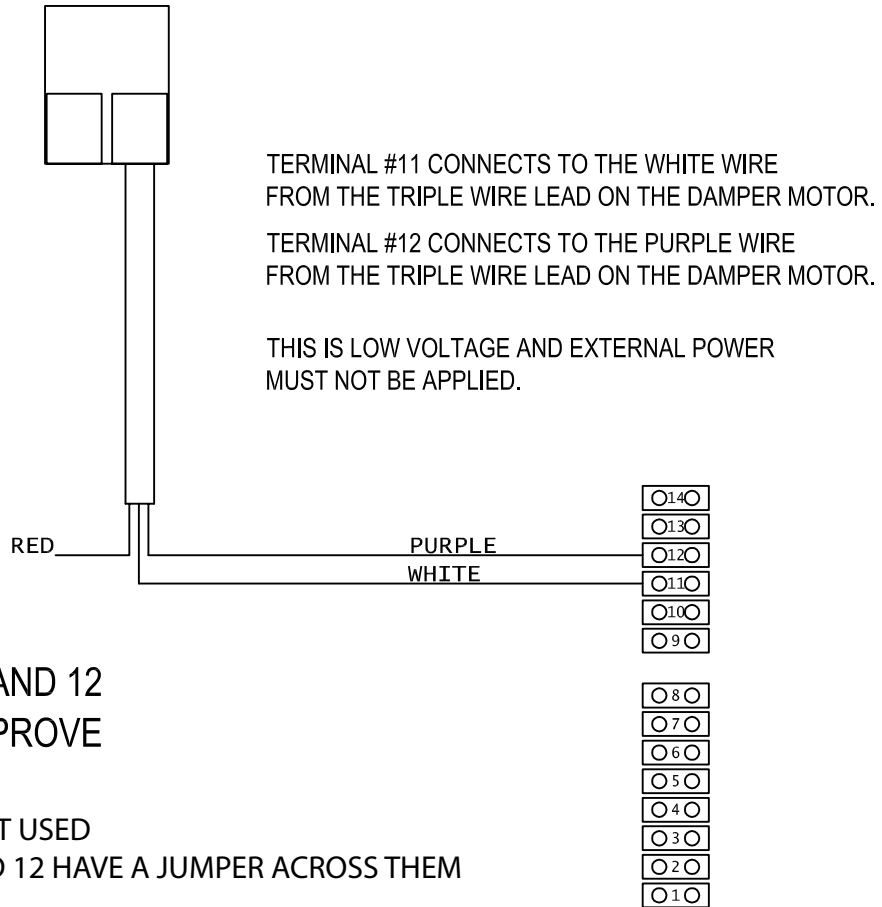
- 14○
- 13○
- 12○
- 11○
- 10○
- 9○

- 8○
- 7○
- 6○
- 5○
- 4○
- 3○
- 2○
- 1○

Figure 9C.5
Terminals 9 & 10

9 - GALAXY - ELECTRIC

C.6 TERMINALS 11 & 12 - Flue Damper Prove



TERMINALS 11 AND 12 FLUE DAMPER PROVE

NOTE: OPTIONAL
IF A DAMPER IS NOT USED
TERMINALS 11 AND 12 HAVE A JUMPER ACROSS THEM

Figure 9C.6
Terminals 11 & 12

9 - GALAXY - ELECTRIC

C.7 TERMINALS 13 & 14 - 4S Only / Pressure Switch

TERMINALS 13 AND 14
PRESSURE SWITCH
FOUR SIDED UNITS ONLY
FACTORY WIRED FOR ALL OTHERS

TERMINAL #13 CONNECTS TO THE "COM"
OR "NO" TERMINALS IN THE PDS-01 VACUUM
SWITCH FOR FIREPLACE 1.

TERMINAL #14 CONNECTS THE THE "COM"
OR "NO" TERMINALS IN THE PDS-01 VACUUM
SWITCH FOR FIREPLACE 1.

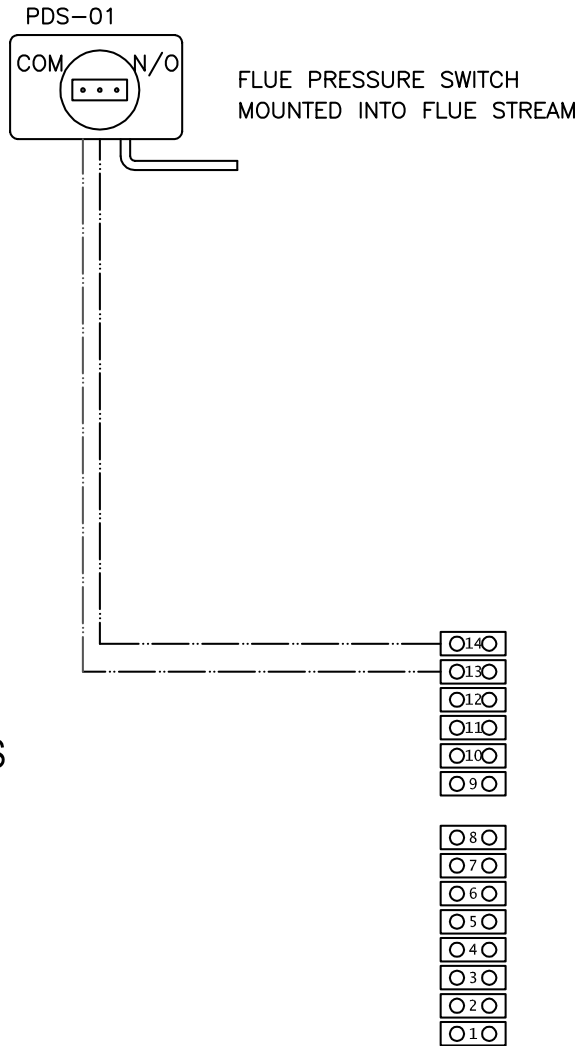
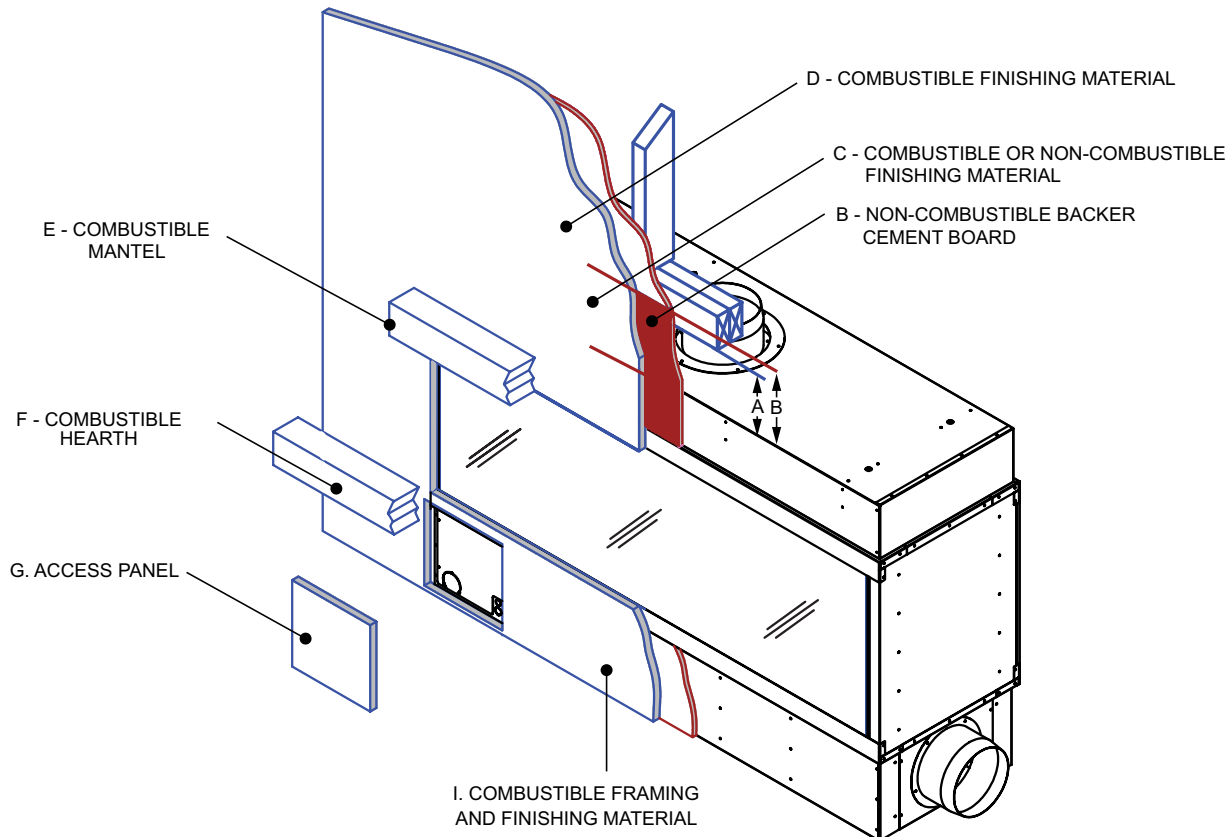


Figure 9C.7
Terminals 13 & 14

10 - FINISHING

FINISHING THE WALL



- A. No combustible materials may be within 6" [152mm] of the top of the fireplace.
- B. Non-combustible backer cement board (1/2" minimum) must be used between viewing area opening and 12" [305mm] on the top the full width of the fireplace. 7" [178mm] minimum above the top of the fireplace is recommended for ease of attachment.
- C. Combustible material may cover the non-combustible area mentioned in B.
- D. Combustible finishing materials allowed.
- E. Combustible mantel may be placed above the top of the glass viewing area.
- F. Combustible hearth may be placed below the bottom of the glass viewing area.
- G. Flat covers will cover the components access. Gas and electric inlets are located behind this panel. There are four access panel options all located on the pilot side of the fireplace; front (shown above), side, back and inside behind the glass.
Please take consideration of which option will be used to access the components during planning.
- I. Combustible framing and finishing materials allowed.

IMPORTANT: NEVER COVER THE GLASS WITH FINISHING MATERIALS

Figure 10

11 - LIGHTING & SHUTDOWN

FOR YOUR SAFETY - READ BEFORE LIGHTING



STOP: IF YOU DO NOT FOLLOW THESE INSTRUCTIONS EXACTLY, A FIRE OR EXPLOSION MAY RESULT, CAUSING PROPERTY DAMAGE, PERSONAL INJURY OR LOSS OF LIFE.

DUE TO HIGH SURFACE TEMPERATURES, KEEP CHILDREN, CLOTHING AND FURNITURE AWAY.

This appliance needs fresh air for safe operation and must be installed so there are provisions for adequate combustion and ventilation air. It is important to make sure the termination cap remains unobstructed at all times from snow, ice, leaves or other debris.

- This fireplace is equipped with an ignition device which automatically lights the pilot and main burner. The pilot and burner light automatically with the wall switch. **DO NOT** try to light the pilot by hand. Before lighting this fireplace, follow these instructions exactly.
- **BEFORE LIGHTING**, smell all around the appliance for gas. Be sure to smell next to the floor because some gas is heavier than air and will settle on the floor.
- Do not use this appliance if any part has been under water. Immediately call a qualified service technician to inspect the appliance and to replace any part of the control system which has been under water.

WHAT TO DO IF YOU SMELL GAS:

- Do not touch any electrical switches
- Do not try to light any appliance
- Do not use the phone in your building
- Immediately call your gas supplier from a neighbor's phone
- Follow the gas supplier's instructions
- If you cannot reach your gas supplier, call the fire department

DO NOT STORE OR USE GASOLINE OR OTHER FLAMMABLE VAPORS AND LIQUIDS IN THE VICINITY OF THIS OR ANY OTHER APPLIANCE



NOTE: A PAINT SMELL WILL OCCUR DURING THE FIRST FEW HOURS OF BURNING.



NOTE: THIS FIREPLACE MAY PRODUCE NOISES OF VARYING DEGREE AS IT HEATS AND COOLS DUE TO METAL EXPANSION AND CONTRACTION. THIS IS NORMAL AND DOES NOT AFFECT THE PERFORMANCE OR LONGEVITY OF THE FIREPLACE.

A. LIGHTING THE FIREPLACE

To light the fireplace:

Activate the switch. The fireplace may take up to 1-1/2 minutes to light. During this time, the fireplace is purging and going through a system check.

11 - LIGHTING & SHUTDOWN



STOP! Read safety information on previous page and front cover of this manual before continuing.



NOTE: This fireplace is equipped with an ignition device which automatically lights the pilot. **DO NOT** try to light the pilot by hand.

B. IF THE FIREPLACE DOES NOT LIGHT

1. Turn off the fireplace at switch.
2. Turn off all electrical power to fireplace.
3. Wait five (5) minutes to allow any gas that may have accumulated inside firebox to escape. If you then smell gas, STOP! Follow safety information on front cover and on previous page of the installation manual. If you don't smell gas, go to next step.
4. Turn ON all electrical power to fireplace.
5. Turn fireplace on at switch.

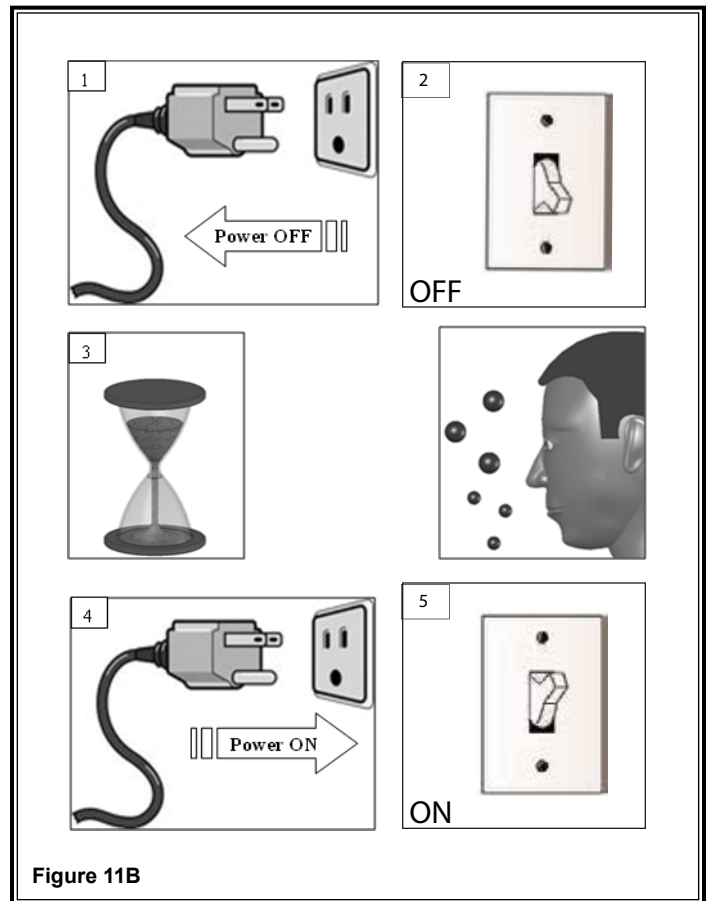


Figure 11B



CAUTION: If fireplace will not operate, follow instructions TURNING OFF GAS TO FIREPLACE and call your service technician or the gas supplier.



NOTE: When fireplace is initially lit, condensation will appear on the glass; this is normal in all gas fireplaces and will disappear after several minutes.

12 - PRESSURE TESTING



NOTE: The appliance and its individual shutoff valve must be disconnected from the gas supply piping system during any pressure testing of that system at pressures in excess of ½ psi.



NOTE: The appliance must be isolated from the gas supply piping system by closing its individual manual shut-off valve during any pressure testing of the gas line at test pressures equal to or less than ½ psi (3.5 kPa).

INLET PRESSURE TEST

1. The valve has an allen plug on the inlet and outlet.
2. Install a barb fitting on the tap you want to measure.
3. Light the fireplace, check the pressure.
4. Turn off fireplace; reinstall plug.
5. Check for leaks.



CAUTION: A LOW PRESSURE READING CAN CAUSE DELAYED IGNITION



NOTE: If inlet pressure reading is too high or too low, contact the gas company. Only a qualified gas service technician should adjust incoming gas pressure.

13 - FINALIZING THE INSTALLATION

A. INSTALLING THE MEDIA

Figure 13A

Place the supplied glass media into the base tray.
Cover the base evenly. Do not use more than the supplied amount.

Do not get any glass media into the pilot area; a hazardous condition could result!

You should be able to see the burner slightly through the media.
If you can't, push the media back from the burner.
Smaller flames will result from too much media over the burner.

DO NOT COVER THE ROUND BURNERS; POOR FLAME APPEARANCE WITH RESULT.



Figure 13A

NOTE: DO NOT SUBSTITUTE THE SUPPLIED MEDIA WITH ANY OTHER KIND OF MEDIA WITHOUT WRITTEN APPROVAL OF STELLAR HEARTH PRODUCTS.

B. FLAME APPEARANCE

Flame appearance is affected by several factors including altitude, venting configuration and fuel quality. Although the venturi setting has been factory set, adjustments may be necessary for optimal performance and visual aesthetics.

When fireplace is first lit, the flames will be blue. Flames will gradually turn yellowish-orange during first 15 minutes of operation. If flames remain blue, or become dark orange with evidence of sooting (black tips), the burner tube venturi may need adjustment. Contact Stellar Hearth.

14 - MAINTENANCE

The appliance is required to be inspected at least once a year by a professional service person. The compartment below firebox (behind lower access panel) must be cleaned at least once a year, more frequent cleaning may be required due to excessive lint from carpeting, bedding materials, or other fibrous materials. It is imperative that the burner be cleaned once a year.

VALVE AND ELECTRICAL ACCESS

There is an access panel in the floor of the firebox should more extensive service be needed. Remove the inner and outer glass panels. Remove the glass media on the end with the pilot. The end floor lifts out; remove the screws and lift it out. Remove the burner and loosen the pilot bracket. There is a panel under the floor you removed. Remove the 6 screws and slide the panel up.



NOTE: INSTALLATION AND REPAIR SHOULD BE DONE ONLY BY QUALIFIED SERVICE PERSON. THE APPLIANCE SHOULD BE INSPECTED BEFORE USE AND ANNUALLY BY A QUALIFIED SERVICE PERSON. MORE FREQUENT CLEANING MAY BE REQUIRED DUE TO EXCESSIVE LINT FROM CARPETING, BEDDING MATERIALS, ETC. IT IS IMPERATIVE THAT CONTROL COMPARTMENTS, BURNERS AND CIRCULATION AIR PASSAGEWAYS OF THE APPLIANCE BE KEPT CLEAN.

A. VENT SYSTEM

- Annual examination of venting system by a qualified agency is required.
- IF VENT-AIR INTAKE SYSTEM IS DISASSEMBLED FOR ANY REASON, RE-INSTALL PER INSTRUCTIONS PROVIDED WITH INITIAL INSTALLATION.
- The flow of combustion air must not be obstructed.

B. GLASS CLEANING & REPLACEMENT

- Clean glass only when cool and only with non-abrasive cleansers.
- Do not operate this fireplace with glass/frame assembly removed, cracked or broken.
- The glass assembly shall only be replaced as a complete unit, as supplied by Stellar Hearth Products.
- Replacement of glass & frame assembly, must only be performed by a licensed or qualified service person.
DO NOT SUBSTITUTE MATERIALS.
- Do not strike or slam glass door assembly.



CAUTION: LABEL ALL WIRES PRIOR TO DISCONNECTION WHEN SERVICING CONTROLS. WIRING ERRORS CAN CAUSE IMPROPER AND DANGEROUS OPERATION. VERIFY PROPER OPERATION AFTER SERVICING. KEEP APPLIANCE AREA CLEAR OF COMBUSTIBLE MATERIALS, SUCH AS GASOLINE AND OTHER FLAMMABLE VAPORS AND LIQUIDS. VAPORS AND LIQUIDS.

C. REPLACEMENT PARTS LIST

PART	MANUFACTURER	PART NUMBER
Powervent	Enervex	SEE PAGE 15
Valve	Honeywell Smart Valve	SV9501
Pilot	Honeywell Smart Valve	Q3450C1185
Vacuum Switch	Cleveland Controls	AFS-405
Flue Pipe	Approved	SEE PAGE 15
24vac Transformer	Dayton	24vac 40 VA
Orifices	Custom	SEE PAGE 6
Glass Media	American Specialty Glass	GLACIER ICE
Glass Panel Sizes		CONTACT STELLAR DIRECTLY



Limited Lifetime Warranty

Stellar Hearth Products, a brand of **Big Woods Hearth Products Inc**, warrants the following components for life to the original owner, subject to proof of purchase: Firebox, Heat Exchanger, Combustion Chamber, Grate and Stainless Steel Burners. Electrical components and wearable parts (gas valve, blowers, wiring, switches, remote controls, gasketing, and pilot assembly) are covered and will be provided free of charge for a period of one year from date of purchase. Labor to repair the warranted parts is covered and will be free of charge for a period of one year from date of purchase. See the warranty exclusions below.

YOUR SOLE AND EXCLUSIVE REMEDY UNDER THIS LIMITED WARRANTY SHALL BE PRODUCT REPAIR AS PROVIDED HEREIN. Service must be provided by a **Big Woods Hearth Products** designated service company. This limited warranty is valid only in the United States or Canada and applies only when the major appliance is used in the country in which it was purchased. This limited warranty is effective from the date of original consumer purchase. Proof of original purchase date is required to obtain service under this limited warranty.

ITEMS EXCLUDED FROM WARRANTY

This limited warranty does not cover:

1. Replacement parts or repair labor if this major appliance is used for other than normal use or when it is used in a manner that is inconsistent to published user or operator instructions and/or installation instructions.
2. Service calls to correct the installation of your major appliance, to instruct you on how to use your major appliance, to replace or repair house fuses, or to correct house wiring or plumbing.
3. Service calls to repair or replace appliance light bulbs.
4. Damage resulting from accident, alteration, misuse, abuse, fire, flood, acts of God, improper installation, installation not in accordance with electrical or plumbing codes, or use of products not approved by Big Woods Hearth Products Inc .
5. Cosmetic damage, including scratches, dents, chips or other damage to the finish of your major appliance, unless such damage results from defects in materials or workmanship and is reported to Big Woods Hearth Products Inc within 30 days from the date of purchase.
6. Pick up and delivery. This major appliance is intended to be repaired in your home.
7. Repairs to parts or systems resulting from unauthorized modifications made to the appliance.
8. Expenses for travel and transportation for product service if your major appliance is located in a remote area where service by an authorized **Big Woods Hearth Products Inc** servicer is not available.
9. The removal and reinstallation of your major appliance if it is installed in an inaccessible location or is not installed in accordance with **Big Woods Hearth Products Inc** published installation instructions.
10. Replacement parts or repair labor on major appliances with original model/serial numbers that have been removed, altered, or cannot be easily determined.

DISCLAIMER OF IMPLIED WARRANTIES

IMPLIED WARRANTIES, INCLUDING ANY IMPLIED WARRANTY OF MERCHANTABILITY OR IMPLIED WARRANTY OF FITNESS FOR A PARTICULAR PURPOSE, ARE LIMITED TO ONE YEAR OR THE SHORTEST PERIOD ALLOWED BY LAW.

Some states and provinces do not allow limitations on the duration of implied warranties of merchantability or fitness, so this limitation may not apply to you. This warranty gives you specific legal rights, and you also may have other rights that vary from state to state or province to province.

LIMITATION OF REMEDIES; EXCLUSION OF INCIDENTAL AND CONSEQUENTIAL DAMAGES

YOUR SOLE AND EXCLUSIVE REMEDY UNDER THIS LIMITED WARRANTY SHALL BE PRODUCT REPAIR AS PROVIDED HEREIN. BIG WOODS HEARTH PRODUCTS SHALL NOT BE LIABLE FOR INCIDENTAL OR CONSEQUENTIAL DAMAGES.

Some states and provinces do not allow the exclusion or limitation of incidental or consequential damages, so these limitations and exclusions may not apply to you. This warranty gives you specific legal rights, and you also may have other rights that vary from state to state or province to province.

If outside the 50 United States and Canada, contact your authorized **Big Woods Hearth Products Inc** dealer to determine if another warranty applies.

If you think you need repair service, first see the "Troubleshooting" section of the Use & Care Guide. If you are unable to resolve the problem after checking "Troubleshooting," additional help can be found by calling Big Woods Hearth Products Inc at 952-224-4072.