



Stellar Hearth Products – Architect Specifications Sheets for The Galaxy Series

Pages 2-5	Galaxy See-Through
6-9	Galaxy Bay
10-13	Galaxy Left Corner
14-17	Galaxy Pier
18-21	Galaxy Right Corner
22-25	Galaxy See Through
26-29	Galaxy Four Sided



**Specification Sheet
Galaxy Series
See-Through**

Galaxy Series		See-Through, Co-linear Direct Vent Gas Fireplace Series	
Model # Includes:	<i>CAD & BIM drawings available at CADdetails.com or contact Stellar Hearth directly</i>		
4-ST-2-GL	4' W x 2' H Glass Viewing Area, Safe-T-Touch Glass, 60,000 BTU's input/hr		
4-ST-3-GL	4' W x 3' H Glass Viewing Area, Safe-T-Touch Glass, 60,000 BTU's input/hr		
5-ST-2-GL	5' W x 2' H Glass Viewing Area, Safe-T-Touch Glass, 80,000 BTU's input/hr		
5-ST-3-GL	5' W x 3' H Glass Viewing Area, Safe-T-Touch Glass, 80,000 BTU's input/hr		
6-ST-2-GL	6' W x 2' H Glass Viewing Area, Safe-T-Touch Glass, 100,000 BTU's input/hr		
6-ST-3-GL	6' W x 3' H Glass Viewing Area, Safe-T-Touch Glass, 100,000 BTU's input/hr		
7-ST-2-GL	7' W x 2' H Glass Viewing Area, Safe-T-Touch Glass, 120,000 BTU's input/hr		
7-ST-3-GL	7' W x 3' H Glass Viewing Area, Safe-T-Touch Glass, 120,000 BTU's input/hr		
Certification Information			
Installation must conform with local building codes or in the absence of local building codes, with the National Fuel Gas Code, ANSI Z223.1/NFPA 54 – Current Edition, or the Natural or Propane Installation Code, CSAB149.1			
ANSI Standards	This fireplace series complies with ANSI Z21.50a-2016 – CSA 2.33a-2016 “Vented Fireplace”		
UL Certification	The Galaxy Series is covered under the UL Certification Number 20141014-MH48906 and is a part of the Stellar Hearth Custom Fireplace Program.		
Commonwealth of Massachusetts	The Galaxy series has been approved by the Board of State of Plumbers and Gas Fitters. Custom Fireplace: Approval # G3-1217-239.		
Fireplace Specifications:			
Glass	The fireplace will use the Safe-T-Touch Glass System which has an additional outer layer of glass to control surface temperatures. No additional safety screen is required.		
Glass Type	.25” thick tempered glass		
Temperatures	120 – 150 Degrees		
Firebox Construction:			
Construction	16-gauge aluminized metal (majority)		
Clearances to Combustibles	<ul style="list-style-type: none"> • Left Side, Right Side and Back – 1” • Floor – 0 • Unit to top of the ceiling – 48” • Unit to adjacent side wall – 1” • Must use completely non-combustible materials in the non-combustible zone the entire width of the fireplace. Do not use wood, sheetrock, etc. in this zone. • Completely non-combustible products (metal) framing may come right up to the fireplace • Refer to Section 2 of the installation manual for more details 		
Dimensions & Framing	See Page 3 For Dimensional Drawings by Model Number		
Installation Notes:	<ul style="list-style-type: none"> • Fireplace is not load bearing • Fireplace must be on a level surface capable of supporting the fireplace and venting 		
Gas Specifications:			
Connection	½” NPT gas line connection		
Minimum Inlet Pressure	<ul style="list-style-type: none"> • Natural Gas – 7.0 w.c. • Propane – 11.0 w.c. 		
Maximum Inlet Pressure	<ul style="list-style-type: none"> • Natural Gas – 10.0 w.c. • Propane – 14.0 w.c. 		
Control Valve	Honeywell, Electronic safety valve		
BTU's	BTU's per model number listed in table at the top.		
	Refer to Section 7 of the installation manual for more details.		

Venting and Outside Air Specifications

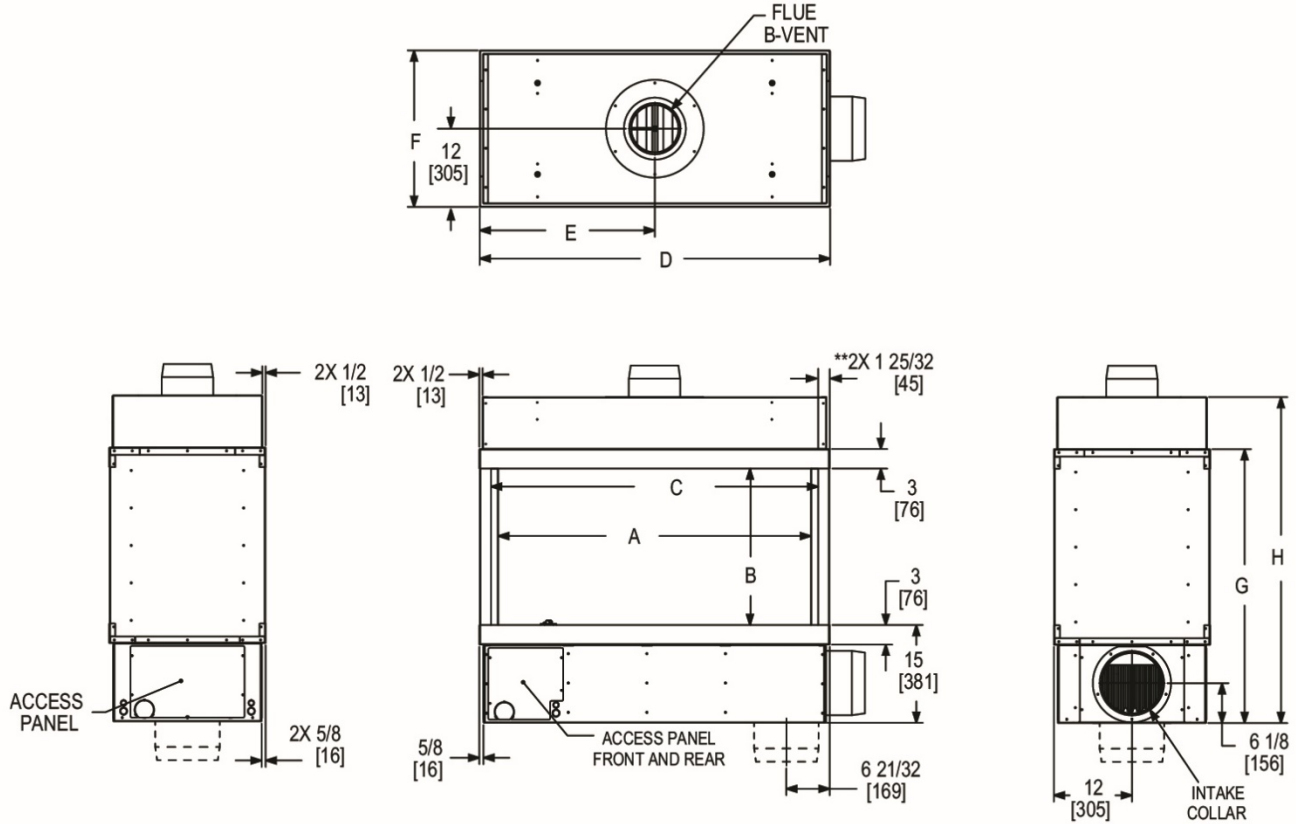
Venting	<ul style="list-style-type: none"> B-Vent type venting must be used based on model number (see table below). UL/CSA approved B-Vent Only Do not decrease the vent size Must maintain 1” minimum clearance all the way around the B-Vent pipe at all times Refer to vent system manufacturer’s pipe installation guidelines for complete installation instructions Vent runs are approved for up to 110 feet with quantity 11, 90-degree elbows. Please consult Stellar Hearth for vent runs outside these parameters Refer to table below (B-Vent Size) and the Galaxy installation Manual Venting Section for more details
Flue Damper	Use of flue damper is optional. Refer to EnerveX specifications for proper guidelines.
Powervent	<ul style="list-style-type: none"> This series of fireplace uses the EnerveX powervent exhaust system based on the model number. Refer to the table below (Powervent & In-Line Powervent) If using an in-line powervent, must be specified at time of order by adding an -IN to the end of the model number Consult the EnerveX installation manual for all clearance and termination installation requirements Refer to table below
Outside Air	<ul style="list-style-type: none"> Outside air intake connections are provided on the right side and bottom of the fireplace Use only metal pipe or Stellar Hearth approved flex pipe and insulate all exposed against cold/frost Intake pipe must maintain 1.5X the square inches of the flue pipe in free area. Intake screen/vent must be sized appropriately. Failure to do so will result in higher operating temperatures The fireplace may also use room air for combustion. You must plan for the replacement air that is consumed from the room in the fireplace. Refer to table below (Outside Air Size).
Electric	<ul style="list-style-type: none"> 120 vac switched power to the fireplace location and the powervent on the roof is required The fireplace, when installed, must be electrically grounded in accordance with local codes or, in the absence of local codes, with the National Electrical Code, ANSI/NFPA70, or the Canadian Electrical Code, Part 1, CSA C22.1 Refer to installation manual for electrical schematics and more details on electric
Electrical & Valve Access	<ul style="list-style-type: none"> Each fireplace will have four points of access, including through the interior firebox, for installation and service. Refer to installation manual for placement and make sure and plan in advance of the installation which access location will be used if needs to be accommodated for in the finish work to allow easy access for service later <i>Optional Tethered control box is available and needs to be specified up front as the fireplace is ordered</i>

Specifications by Model Number:	B-Vent Size	Outside Air Size	Powervent	In-Line Powervent (IN)	VAC	AMP	kW
4-ST-2-GL	8”	10” or 480 CFM	RS012	RSIF160	120	5.8	.35
4-ST-3-GL	8”	10” or 480 CFM	RS012	RSIF160	120	5.8	.35
5-ST-2-GL	8”	10” or 640 CFM	RS012	RSIF160	120	5.8	.35
5-ST-3-GL	8”	10” or 640 CFM”	RS012	RSIF160	120	5.8	.35
6-ST-2-GL	10”	10” or 800 CFM	RS014	RSIF180	120	5.8	.35
6-ST-3-GL	10”	10” or 800 CFM	RS014	RSIF180	120	5.8	.35
7-ST-2-GL	10”	10” or 960 CFM	RS014	RSIF180	120	5.8	.35
7-ST-3-GL	10”	10” or 960 CFM	RS014	RSIF180	120	5.8	.35

Miscellaneous:

LED Glass Media Lights	The Galaxy Series has standard LED Glass Media lights and a provided remote control to operate.
Glass Media	The Galaxy Series comes standard with Glass media in a variety of colors. If no colors are specified, the fireplace will go out standard with Glacier Ice (clear). Natural Stone options also available.
Driftwood Log Set & Natural Stone	The Galaxy Series has an optional driftwood log set available. We recommend using one of the Natural Stone options with driftwood over the Glass media.
Envision Painted Panels & Mirrors	Any hi-definition image can be printed on to a mirrored panel to line the interior of the firebox as an option. Image to be provided by the customer and has to be at least 300 DPI. Optional mirrored panels (without printed images) can also be used to line the interior firebox which create endless iterations of the flames and logs throughout.
Universal Intake & Exhaust Termination	Flush mount termination for use with in-line powervent and outside air-intake. UL Certified. Rain resistant, fully insulated and can be painted to match exterior.
Comfort Choice	Zone Heating Option. Redirect heat from top of firebox back into the room. Works best with Single Sided and See-Through models. N/A for Four-sided models.

Galaxy Series - Dimensions and Framing

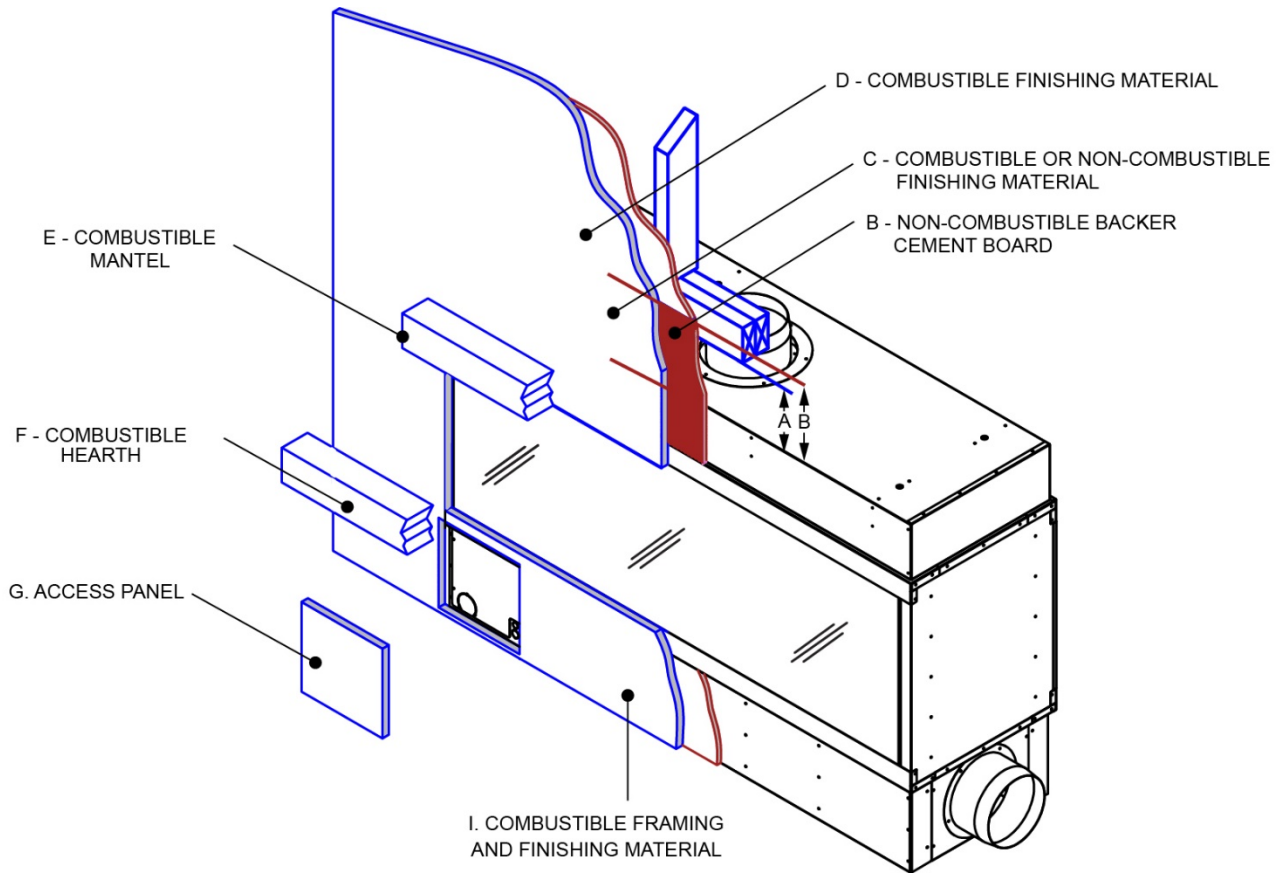


MODEL #	A	B	C	D	E	F	G	H	Framing Width	Framing Height	Framing Depth*
4-ST-2-GL	48"	24"	50-3/16"	53-3/4"	26-7/8"	24"	42"	50"	55-3/4"	56"	24"
5-ST-2-GL	60"	24"	62-3/16"	65-3/4"	32-7/8"	24"	42"	50"	67-3/4"	56"	24"
6-ST-2-GL	72"	24"	74-3/16"	77-3/4"	38-7/8"	24"	42"	50"	79-3/4"	56"	24"
7-ST-2-GL	84"	24"	86-3/16"	89-3/4"	44-7/8"	24"	42"	50"	91-3/4"	56"	24"
4-ST-3-GL	48"	36"	50-3/16"	53-3/4"	26-7/8"	24"	54"	62"	55-3/4"	68"	24"
5-ST-3-GL	60"	36"	62-3/16"	65-3/4"	32-7/8"	24"	54"	62"	67-3/4"	68"	24"
6-ST-3-GL	72"	36"	74-3/16"	77-3/4"	38-7/8"	24"	54"	62"	79-3/4"	68"	24"
7-ST-3-GL	84"	36"	86-3/16"	89-3/4"	44-7/8"	24"	54"	62"	91-3/4"	68"	24"

These dimensions represent framing to combustible materials. Non-combustible materials may be used within these dimensions right up to the unit. Steel surface may be covered with non-combustible finishing materials.

*Assumed 1/2" drywall or non-combustible board used on each side

Galaxy Series Finishing Material Guidelines



- A. No combustible materials may be within 6" [152mm] of the top of the fireplace.
- B. Non-combustible backer cement board (1/2" minimum) must be used between viewing area opening and 12" [305mm] on the top the full width of the fireplace. 7" [178mm] minimum above the top of the fireplace is recommended for ease of attachment.
- C. Combustible material may cover the non-combustible area mentioned in B.
- D. Combustible finishing materials allowed.
- E. Combustible mantel may be placed above the top of the glass viewing area.
- F. Combustible hearth may be placed below the bottom of the glass viewing area.
- G. Flat covers will cover the components access. Gas and electric inlets are located behind this panel. There are four access panel options all located on the pilot side of the fireplace; front (shown above), side, back and inside behind the glass.
Please take consideration of which option will be used to access the components during planning.
- I. Combustible framing and finishing materials allowed.

Stellar Hearth Products

A brand of Big Woods Hearth Products, Inc.

16873 Fish Point Rd SE

Prior Lake, MN 55372

952-224-4072

info@stellarhearth.com

www.Stellarhearth.com

Stellar Hearth Products
Custom Fireplace Design & Manufacturing

*Our mission is to combine bold creativity
and advanced technologies collaboratively with our customer's vision, resulting
in compelling fire features for interior and exterior hearth projects.*

Galaxy Series		Bay, Co-linear Direct Vent Gas Fireplace Series	
Model # Includes:		<i>CAD & BIM drawings available at CADdetails.com or contact Stellar Hearth directly</i>	
4-BY-2-GL	4' W x 2' H Glass Viewing Area, Safe-T-Touch Glass, 60,000 BTU's input/hr		
4-BY-3-GL	4' W x 3' H Glass Viewing Area, Safe-T-Touch Glass, 60,000 BTU's input/hr		
5-BY-2-GL	5' W x 2' H Glass Viewing Area, Safe-T-Touch Glass, 80,000 BTU's input/hr		
5-BY-3-GL	5' W x 3' H Glass Viewing Area, Safe-T-Touch Glass, 80,000 BTU's input/hr		
6-BY-2-GL	6' W x 2' H Glass Viewing Area, Safe-T-Touch Glass, 100,000 BTU's input/hr		
6-BY-3-GL	6' W x 3' H Glass Viewing Area, Safe-T-Touch Glass, 100,000 BTU's input/hr		
7-BY-2-GL	7' W x 2' H Glass Viewing Area, Safe-T-Touch Glass, 120,000 BTU's input/hr		
7-BY-3-GL	7' W x 3' H Glass Viewing Area, Safe-T-Touch Glass, 120,000 BTU's input/hr		
Certification Information			
Installation must conform with local building codes or in the absence of local building codes, with the National Fuel Gas Code, ANSI Z223.1/NFPA 54 – Current Edition, or the Natural or Propane Installation Code, CSAB149.1			
ANSI Standards	This fireplace series complies with ANSI Z21.50a-2016 – CSA 2.33a-2016 “Vented Fireplace”		
UL Certification	The Galaxy Series is covered under the UL Certification Number 20141014-MH48906 and is a part of the Stellar Hearth Custom Fireplace Program.		
Commonwealth of Massachusetts	The Galaxy series has been approved by the Board of State of Plumbers and Gas Fitters. Custom Fireplace: Approval # G3-1217-239		
Fireplace Specifications:			
Glass	The fireplace will use the Safe-T-Touch Glass System which has an additional outer layer of Glass to control surface temperatures. No additional safety screen is required.		
Glass Type	.25” thick tempered Glass		
Temperatures	120 – 150 Degrees		
Firebox Construction:			
Construction	16-gauge aluminized metal (majority)		
Clearances to Combustibles	<ul style="list-style-type: none"> Left Side, Right Side and Back – 1” Floor – 0 Unit to top of the ceiling – 48” Unit to adjacent side wall – 1” Must use completely non-combustible materials in the non-combustible zone the entire width of the fireplace. Do not use wood, sheetrock, etc. in this zone. Completely non-combustible products (metal) framing may come right up to the fireplace Refer to Section 2 of the installation manual for more details 		
Dimensions & Framing	See Page 3 For Dimensional Drawings by Model Number		
Installation Notes:	<ul style="list-style-type: none"> Fireplace is not load bearing Fireplace must be on a level surface capable of supporting the fireplace and venting 		
Gas Specifications:			
Connection	½” NPT gas line connection		
Minimum Inlet Pressure	<ul style="list-style-type: none"> Natural Gas – 7.0 w.c. Propane – 11.0 w.c. 		
Maximum Inlet Pressure	<ul style="list-style-type: none"> Natural Gas – 10.0 w.c. Propane – 14.0 w.c. 		
Control Valve	Honeywell, Electronic safety valve		
BTU's	BTU's per model number listed in table at the top		
Refer to Section 7 of the installation manual for more details			

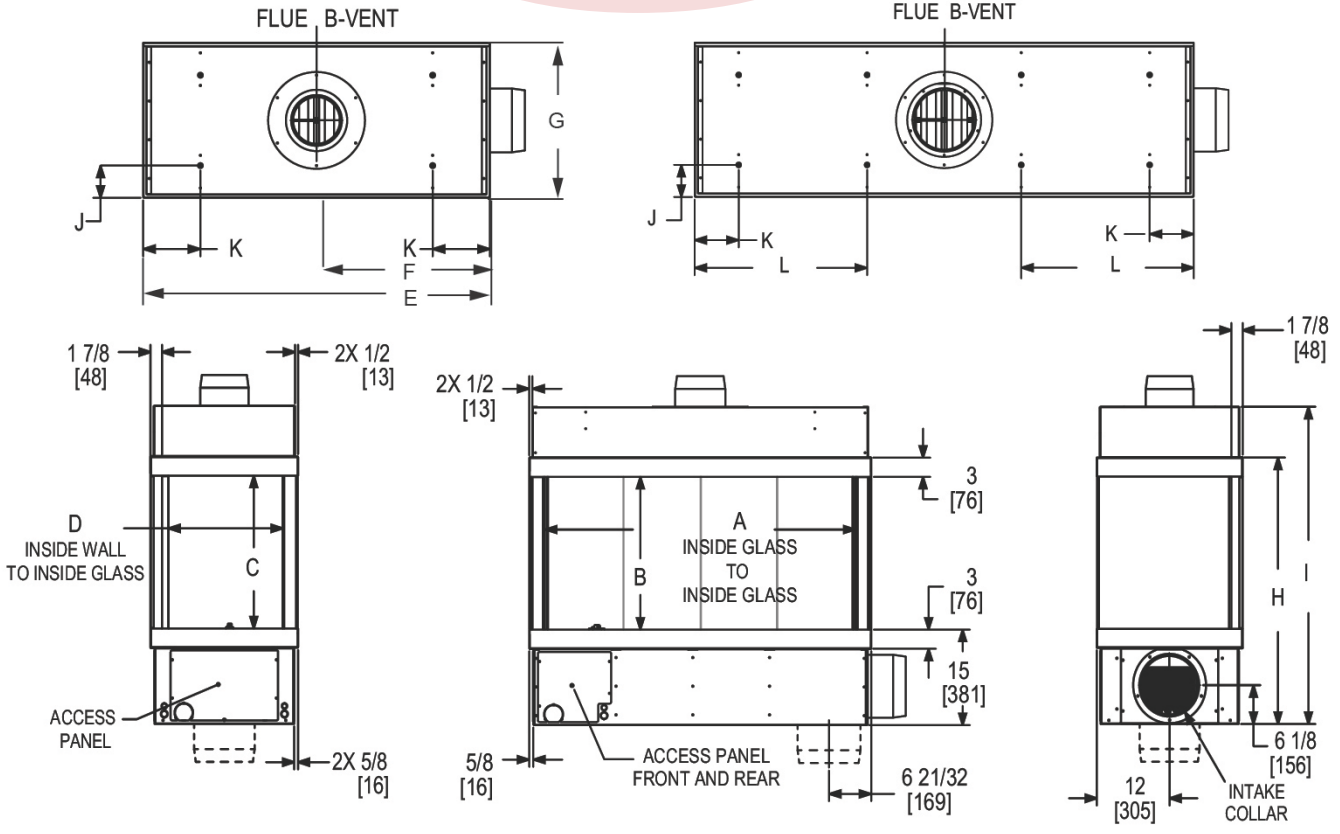
Venting and Outside Air Specifications							
Venting	<ul style="list-style-type: none"> B-Vent type venting must be used based on model number (see table below). UL/CSA approved B-Vent Only Do not decrease the vent size Must maintain 1” minimum clearance all the way around the B-Vent pipe at all times Refer to vent system manufacturer’s pipe installation guidelines for complete installation instructions Vent runs are approved for up to 110 feet with quantity 11, 90-degree elbows. Please consult Stellar Hearth for vent runs outside these parameters Refer to table below (B-Vent Size) and the Galaxy installation Manual Venting Section for more details 						
Flue Damper	Use of flue damper is optional. Refer to EnerveX specifications for proper guidelines.						
Powervent	<ul style="list-style-type: none"> This series of fireplace uses the EnerveX powervent exhaust system based on the model number. Refer to the table below (Powervent & In-Line Powervent) If using an in-line powervent, must be specified at time of order by adding an -IN to the end of the model number Consult the EnerveX installation manual for all clearance and termination installation requirements Refer to table below 						
Outside Air	<ul style="list-style-type: none"> Outside air intake connections are provided on the right side and bottom of the fireplace Use only metal pipe or Stellar Hearth approved flex pipe and insulate all exposed against cold/frost Intake pipe must maintain 1.5X the square inches of the flue pipe in free area. Intake screen/vent must be sized appropriately. Failure to do so will result in higher operating temperatures The fireplace may also use room air for combustion. You must plan for the replacement air that is consumed from the room in the fireplace. Refer to table below (Outside Air Size) 						
Electric	<ul style="list-style-type: none"> 120 vac switched power to the fireplace location and the powervent on the roof is required The fireplace, when installed, must be electrically grounded in accordance with local codes or, in the absence of local codes, with the National Electrical Code, ANSI/NFPA70, or the Canadian Electrical Code, Part 1, CSA C22.1. Refer to installation manual for electrical schematics and more details on electric 						
Electrical & Valve Access	<ul style="list-style-type: none"> Each fireplace will have four points of access, including through the interior firebox, for installation and service. Refer to installation manual for placement and make sure and plan in advance of the installation which access location will be used if needs to be accommodated for in the finish work to allow easy access for service later <i>Optional Tethered control box is available and needs to be specified up front as the fireplace is ordered</i> 						
Specifications by Model Number:	B-Vent Size	Outside Air Size	Powervent	In-Line Powervent (IN)	VAC	AMP	kW
4-BY-2-GL	8”	10” or 480 CFM	RS012	RSIF160	120	5.8	.35
4-BY-3-GL	8”	10” or 480 CFM	RS012	RSIF160	120	5.8	.35
5-BY-2-GL	8”	10” or 640 CFM	RS012	RSIF160	120	5.8	.35
5-BY-3-GL	8”	10” or 640 CFM”	RS012	RSIF160	120	5.8	.35
6-BY-2-GL	10”	10” or 800 CFM	RS014	RSIF180	120	5.8	.35
6-BY-3-GL	10”	10” or 800 CFM	RS014	RSIF180	120	5.8	.35
7-BY-2-GL	10”	10” or 960 CFM	RS014	RSIF180	120	5.8	.35
7-BY-3-GL	10”	10” or 960 CFM	RS014	RSIF180	120	5.8	.35
Miscellaneous:							
LED Glass Media Lights	The Galaxy Series has standard LED Glass Media lights and a provided remote control to operate.						
Glass Media	The Galaxy Series comes standard with Glass media in a variety of colors. If no colors are specified, the fireplace will go out standard with Glacier Ice (clear). Natural Stone options also available.						
Driftwood Log Set and Natural Stone	The Galaxy Series has an optional driftwood log set available. We recommend using one of the Natural Stone options with driftwood over the Glass media.						
Envision Painted Panels & Mirrors	Any hi-definition image can be printed on to a mirrored panel to line the interior of the firebox as an option. Image to be provided by the customer and has to be at least 300 DPI. Optional mirrored panels (without printed images) can also be used to line the interior firebox which create endless iterations of the flames and logs throughout.						
Universal Intake & Exhaust Termination	Flush mount termination for use with in-line powervent and outside air-intake. UL Certified. Rain resistant, fully insulated and can be painted to match exterior.						
Comfort Choice	Zone Heating Option. Redirect heat from top of firebox back into the room. Works best with Single Sided and See-Through models. N/A for Four-sided models.						

Galaxy Series - Dimensions and Framing

MODEL	QTY	J	K
4'	1	5"	8-7/8"
5'	1	5"	11-7/8"

The hood shall be supported at specific locations using .250-20 UNC threaded nuds. Refer to J, K & L

MODEL	QTY	J	K	L
6'	2	5"	6-7/8"	26-7/8"
7'	2	5"	6-7/8"	32-7/8"

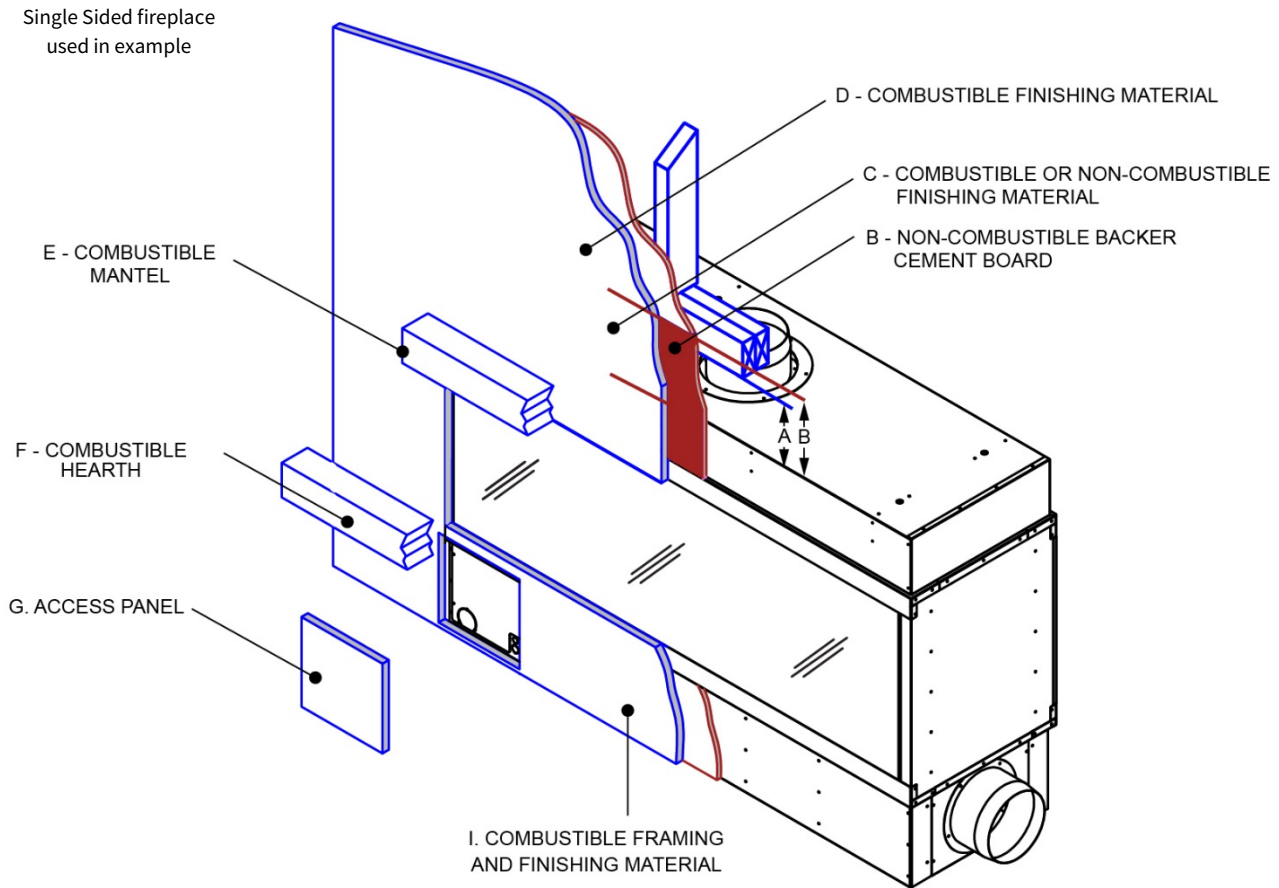


MODEL #	A	B	C	D	E	F	G	H	I	Framing Width	Framing Height	Framing Depth*
4-BY-2-GL	48-25/32"	24"	24"	18-9/16"	53-3/4"	26-7/8"	24"	42"	50"	52-3/4"	56"	25"
5-BY-2-GL	60-25/32"	24"	24"	18-9/16"	65-3/4"	32-7/8"	24"	42"	50"	64-3/4"	56"	25"
6-BY-2-GL	72-25/32"	24"	24"	18-9/16"	77-3/4"	38-7/8"	24"	42"	50"	76-3/4"	56"	25"
7-BY-2-GL	84-25/32"	24"	24"	18-9/16"	89-3/4"	44-7/8"	24"	42"	50"	88-3/4"	56"	25"
4-BY-3-GL	48-25/32"	36"	36"	18-9/16"	53-3/4"	26-7/8"	24"	54"	62"	52-3/4"	68"	25"
5-BY-3-GL	60-25/32"	36"	36"	18-9/16"	65-3/4"	32-7/8"	24"	54"	62"	64-3/4"	68"	25"
6-BY-3-GL	72-25/32"	36"	36"	18-9/16"	77-3/4"	38-7/8"	24"	54"	62"	76-3/4"	68"	25"
7-BY-3-GL	84-25/32"	36"	36"	18-9/16"	89-3/4"	44-7/8"	24"	54"	62"	88-3/4"	68"	25"

These dimensions represent framing to combustible materials. Non-combustible materials may be used within these dimensions right up to the unit. Steel surface may be covered with non-combustible finishing materials.

*Assumed 1/2" drywall or non-combustible board used.

Galaxy Series Finishing Material Guidelines



- A. No combustible materials may be within 6" [152mm] of the top of the fireplace.
- B. Non-combustible backer cement board (1/2" minimum) must be used between viewing area opening and 12" [305mm] on the top the full width of the fireplace. 7" [178mm] minimum above the top of the fireplace is recommended for ease of attachment.
- C. Combustible material may cover the non-combustible area mentioned in B.
- D. Combustible finishing materials allowed.
- E. Combustible mantel may be placed above the top of the glass viewing area.
- F. Combustible hearth may be placed below the bottom of the glass viewing area.
- G. Flat covers will cover the components access. Gas and electric inlets are located behind this panel. There are four access panel options all located on the pilot side of the fireplace; front (shown above), side, back and inside behind the glass.
Please take consideration of which option will be used to access the components during planning.
- I. Combustible framing and finishing materials allowed.

Stellar Hearth Products

A brand of Big Woods Hearth Products, Inc.

16873 Fish Point Rd SE

Prior Lake, MN 55372

952-224-4072

info@stellarhearth.com

www.Stellarhearth.com

Stellar Hearth Products
Custom Fireplace Design & Manufacturing

*Our mission is to combine bold creativity
and advanced technologies collaboratively with our customer's vision, resulting
in compelling fire features for interior and exterior hearth projects.*



**Specification Sheet
Galaxy Series
Left Corner**

Galaxy Series		Left Corner, Co-linear Direct Vent Gas Fireplace Series	
Model # Includes:	<i>CAD & BIM drawings available at CADdetails.com or contact Stellar Hearth directly</i>		
4-LC-2-GL	4' W x 2' H Glass Viewing Area, Safe-T-Touch Glass, 60,000 BTU's input/hr		
4-LC-3-GL	4' W x 3' H Glass Viewing Area, Safe-T-Touch Glass, 60,000 BTU's input/hr		
5-LC-2-GL	5' W x 2' H Glass Viewing Area, Safe-T-Touch Glass, 80,000 BTU's input/hr		
5-LC-3-GL	5' W x 3' H Glass Viewing Area, Safe-T-Touch Glass, 80,000 BTU's input/hr		
6-LC-2-GL	6' W x 2' H Glass Viewing Area, Safe-T-Touch Glass, 100,000 BTU's input/hr		
6-LC-3-GL	6' W x 3' H Glass Viewing Area, Safe-T-Touch Glass, 100,000 BTU's input/hr		
7-LC-2-GL	7' W x 2' H Glass Viewing Area, Safe-T-Touch Glass, 120,000 BTU's input/hr		
7-LC-3-GL	7' W x 3' H Glass Viewing Area, Safe-T-Touch Glass, 120,000 BTU's input/hr		
Certification Information			
Installation must conform with local building codes or in the absence of local building codes, with the National Fuel Gas Code, ANSI Z223.1/NFPA 54 – Current Edition, or the Natural or Propane Installation Code, CSAB149.1			
ANSI Standards	This fireplace series complies with ANSI Z21.50a-2016 – CSA 2.33a-2016 “Vented Fireplace”.		
UL Certification	The Galaxy Series is covered under the UL Certification Number 20141014-MH48906 and is a part of the Stellar Hearth Custom Fireplace Program.		
Commonwealth of Massachusetts	The Galaxy series has been approved by the Board of State of Plumbers and Gas Fitters. Custom Fireplace: Approval # G3-1217-239.		
Fireplace Specifications:			
Glass	The fireplace will use the Safe-T-Touch Glass System which has an additional outer layer of glass to control surface temperatures. No additional safety screen is required.		
Glass Type	.25” thick tempered glass		
Temperatures	120 – 150 Degrees		
Firebox Construction:			
Construction	16-gauge aluminized metal (majority)		
Clearances to Combustibles	<ul style="list-style-type: none"> • Left Side, Right Side and Back – 1” • Floor – 0 • Unit to top of the ceiling – 48” • Unit to adjacent side wall – 1” • Must use completely non-combustible materials in the non-combustible zone the entire width of the fireplace. Do not use wood, sheetrock, etc. in this zone. • Completely non-combustible products (metal) framing may come right up to the fireplace • Refer to Section 2 of the installation manual for more details 		
Dimensions & Framing	See Page 3 For Dimensional Drawings by Model Number		
Installation Notes:	<ul style="list-style-type: none"> • Fireplace is not load bearing • Fireplace must be on a level surface capable of supporting the fireplace and venting 		
Gas Specifications:			
Connection	½” NPT gas line connection		
Minimum Inlet Pressure	<ul style="list-style-type: none"> • Natural Gas – 7.0 w.c. • Propane – 11.0 w.c. 		
Maximum Inlet Pressure	<ul style="list-style-type: none"> • Natural Gas – 10.0 w.c. • Propane – 14.0 w.c. 		
Control Valve	Honeywell, Electronic safety valve		
BTU's	BTU's per model number listed in table at the top.		
	Refer to Section 7 of the installation manual for more details.		

Venting and Outside Air Specifications

Venting	<ul style="list-style-type: none"> B-Vent type venting must be used based on model number (see table below). UL/CSA approved B-Vent Only Do not decrease the vent size Must maintain 1” minimum clearance all the way around the B-Vent pipe at all times Refer to vent system manufacturer’s pipe installation guidelines for complete installation instructions Vent runs are approved for up to 110 feet with quantity 11, 90-degree elbows. Please consult Stellar Hearth for vent runs outside these parameters Refer to table below (B-Vent Size) and the Galaxy installation Manual Venting Section for more details
Flue Damper	Use of flue damper is optional. Refer to Enervex specifications for proper guidelines.
Powervent	<ul style="list-style-type: none"> This series of fireplace uses the Enervex powervent exhaust system based on the model number. Refer to the table below (Powervent & In-Line Powervent) If using an in-line powervent, must be specified at time of order by adding an -IN to the end of the model number Consult the Enervex installation manual for all clearance and termination installation requirements Refer to table below
Outside Air	<ul style="list-style-type: none"> Outside air intake connections are provided on the right side and bottom of the fireplace Use only metal pipe or Stellar Hearth approved flex pipe and insulate all exposed against cold/frost Intake pipe must maintain 1.5X the square inches of the flue pipe in free area. Intake screen/vent must be sized appropriately. Failure to do so will result in higher operating temperatures The fireplace may also use room air for combustion. You must plan for the replacement air that is consumed from the room in the fireplace. Refer to table below (Outside Air Size).
Electric	<ul style="list-style-type: none"> 120 vac switched power to the fireplace location and the powervent on the roof is required The fireplace, when installed, must be electrically grounded in accordance with local codes or, in the absence of local codes, with the National Electrical Code, ANSI/NFPA70, or the Canadian Electrical Code, Part 1, CSA C22.1 Refer to installation manual for electrical schematics and more details on electric
Electrical & Valve Access	<ul style="list-style-type: none"> Each fireplace will have four points of access, including through the interior firebox, for installation and service. Refer to installation manual for placement and make sure and plan in advance of the installation which access location will be used if needs to be accommodated for in the finish work to allow easy access for service later <i>Optional Tethered control box is available and needs to be specified up front as the fireplace is ordered</i>

Specifications by Model Number:	B-Vent Size	Outside Air Size	Powervent	In-Line Powervent (IN)	VAC	AMP	kW
4-LC-2-GL	8”	10” or 480 CFM	RS012	RSIF160	120	5.8	.35
4-LC-3-GL	8”	10” or 480 CFM	RS012	RSIF160	120	5.8	.35
5-LC-2-GL	8”	10” or 640 CFM	RS012	RSIF160	120	5.8	.35
5-LC-3-GL	8”	10” or 640 CFM”	RS012	RSIF160	120	5.8	.35
6-LC-2-GL	10”	10” or 800 CFM	RS014	RSIF180	120	5.8	.35
6-LC-3-GL	10”	10” or 800 CFM	RS014	RSIF180	120	5.8	.35
7-LC-2-GL	10”	10” or 960 CFM	RS014	RSIF180	120	5.8	.35
7-LC-3-GL	10”	10” or 960 CFM	RS014	RSIF180	120	5.8	.35

Miscellaneous:

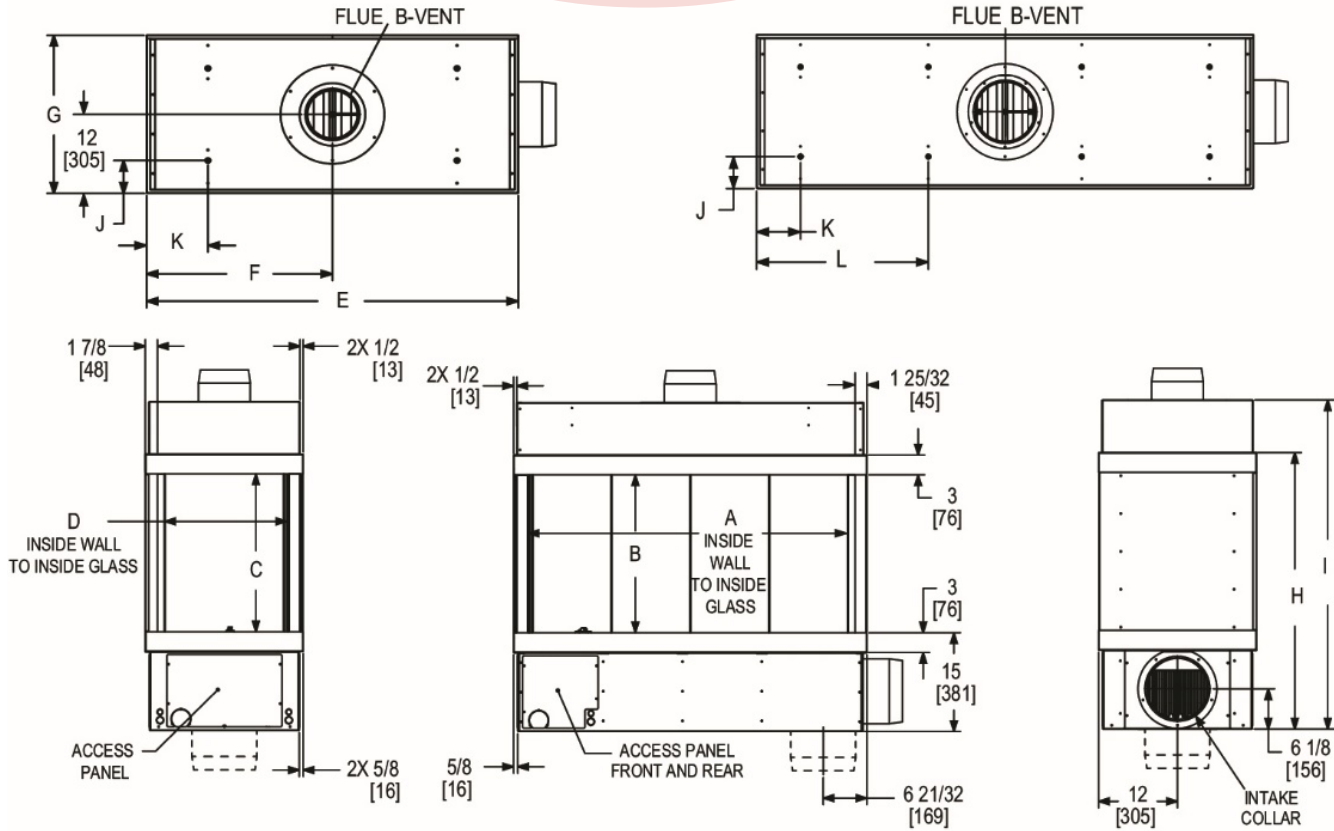
LED Glass Media Lights	The Galaxy Series has standard LED glass Media lights and a provided remote control to operate.
Glass Media	The Galaxy Series comes standard with glass media in a variety of colors. If no colors are specified, the fireplace will go out standard with Glacier Ice (clear). Natural Stone options also available.
Driftwood Log Set and Natural Stone	The Galaxy Series has an optional driftwood log set available. We recommend using one of the Natural Stone options with driftwood over the glass media.
Envision Painted Panels & Mirrors	Any hi-definition image can be printed on to a mirrored panel to line the interior of the firebox as an option. Image to be provided by the customer and has to be at least 300 DPI. Optional mirrored panels (without printed images) can also be used to line the interior firebox which create endless iterations of the flames and logs throughout.
Universal Intake & Exhaust Termination	Flush mount termination for use with in-line powervent and outside air-intake. UL Certified. Rain resistant, fully insulated and can be painted to match exterior.
Comfort Choice	Zone Heating Option. Redirect heat from top of firebox back into the room. Works best with Single Sided and See-Through models. N/A for Four-sided models.

Galaxy Series - Dimensions and Framing

MODEL	QTY	J	K
4'	1	5"	8-7/8"
5'	1	5"	11-7/8"

The hood shall be supported at specific locations using .250-20 UNC threaded nuds. Refer to J, K & L

MODEL	QTY	J	K	L
6'	2	5"	6-7/8"	26-7/8"
7'	2	5"	6-7/8"	32-7/8"

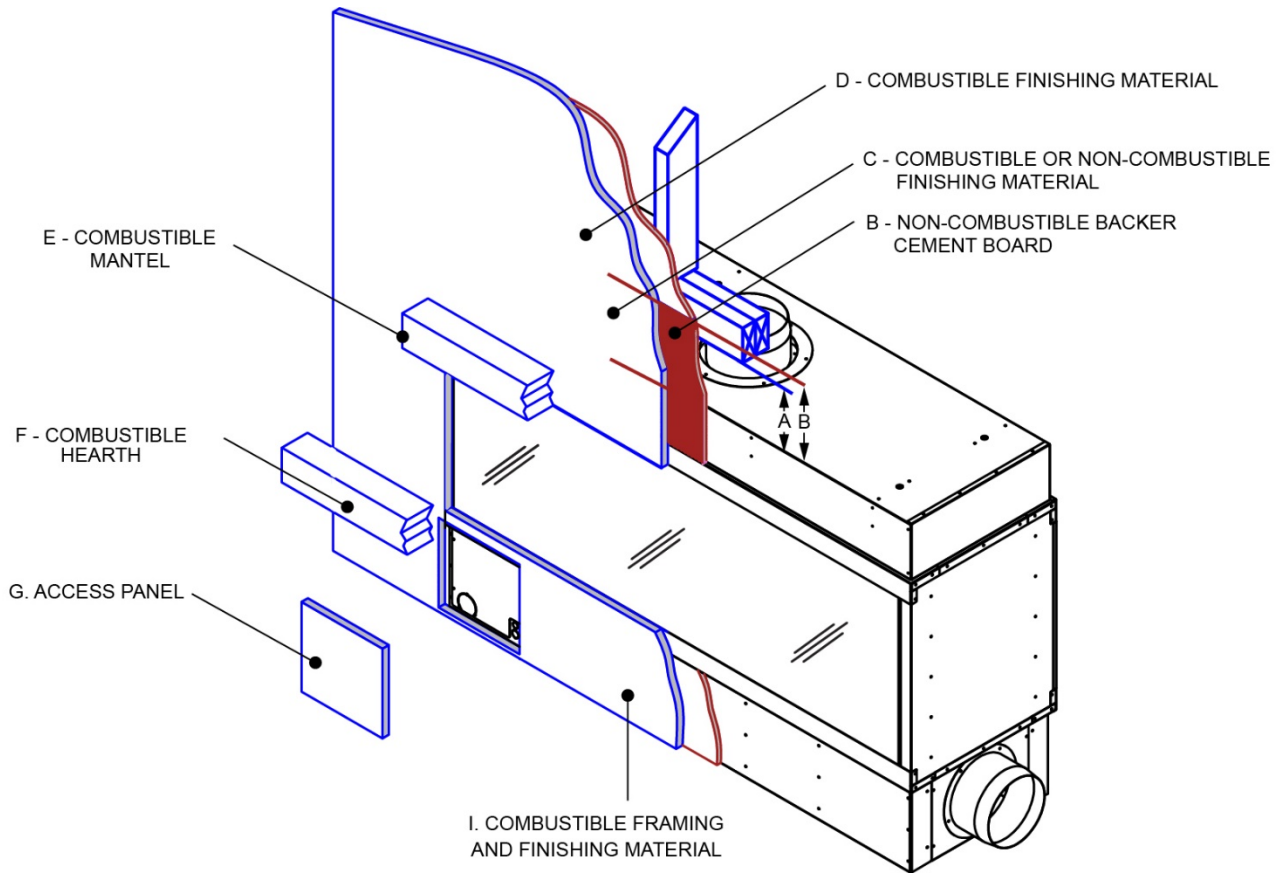


MODEL #	A	B	C	D	E	F	G	H	I	Framing Width	Framing Height	Framing Depth*
4-LC-2-GL	48-13/32"	24"	24"	18-9/16"	53-3/4"	26-7/8"	24"	42"	50"	54-3/4"	56"	25"
5-LC-2-GL	60-13/32"	24"	24"	18-9/16"	65-3/4"	32-7/8"	24"	42"	50"	66-3/4"	56"	25"
6-LC-2-GL	72-13/32"	24"	24"	18-9/16"	77-3/4"	38-7/8"	24"	42"	50"	78-3/4"	56"	25"
7-LC-2-GL	84-13/32"	24"	24"	18-9/16"	89-3/4"	44-7/8"	24"	42"	50"	90-3/4"	56"	25"
4-LC-3-GL	48-13/32"	36"	36"	18-9/16"	53-3/4"	26-7/8"	24"	54"	62"	54-3/4"	68"	25"
5-LC-3-GL	60-13/32"	36"	36"	18-9/16"	65-3/4"	32-7/8"	24"	54"	62"	66-3/4"	68"	25"
6-LC-3-GL	72-13/32"	36"	36"	18-9/16"	77-3/4"	38-7/8"	24"	54"	62"	78-3/4"	68"	25"
7-LC-3-GL	84-13/32"	36"	36"	18-9/16"	89-3/4"	44-7/8"	24"	54"	62"	90-3/4"	68"	25"

These dimensions represent framing to combustible materials. Non-combustible materials may be used within these dimensions right up to the unit. Steel surface may be covered with non-combustible finishing materials.

*Assumed 1/2" drywall or non-combustible board used.

Galaxy Series Finishing Material Guidelines



- A. No combustible materials may be within 6" [152mm] of the top of the fireplace.
- B. Non-combustible backer cement board (1/2" minimum) must be used between viewing area opening and 12" [305mm] on the top the full width of the fireplace. 7" [178mm] minimum above the top of the fireplace is recommended for ease of attachment.
- C. Combustible material may cover the non-combustible area mentioned in B.
- D. Combustible finishing materials allowed.
- E. Combustible mantel may be placed above the top of the glass viewing area.
- F. Combustible hearth may be placed below the bottom of the glass viewing area.
- G. Flat covers will cover the components access. Gas and electric inlets are located behind this panel. There are four access panel options all located on the pilot side of the fireplace; front (shown above), side, back and inside behind the glass.
Please take consideration of which option will be used to access the components during planning.
- I. Combustible framing and finishing materials allowed.

Stellar Hearth Products

A brand of Big Woods Hearth Products, Inc.

16873 Fish Point Rd SE

Prior Lake, MN 55372

952-224-4072

info@stellarhearth.com

www.Stellarhearth.com

Stellar Hearth Products
Custom Fireplace Design & Manufacturing

*Our mission is to combine bold creativity
and advanced technologies collaboratively with our customer's vision, resulting
in compelling fire features for interior and exterior hearth projects.*



Specification Sheet
Galaxy Series
Pier

Galaxy Series		Pier, Co-linear Direct Vent Gas Fireplace Series	
Model # Includes:	<i>CAD & BIM drawings available at CADdetails.com or contact Stellar Hearth directly</i>		
4-PR-2-GL	4' W x 2' H Glass Viewing Area, Safe-T-Touch Glass, 60,000 BTU's input/hr		
4-PR-3-GL	4' W x 3' H Glass Viewing Area, Safe-T-Touch Glass, 60,000 BTU's input/hr		
5-PR-2-GL	5' W x 2' H Glass Viewing Area, Safe-T-Touch Glass, 80,000 BTU's input/hr		
5-PR-3-GL	5' W x 3' H Glass Viewing Area, Safe-T-Touch Glass, 80,000 BTU's input/hr		
6-PR-2-GL	6' W x 2' H Glass Viewing Area, Safe-T-Touch Glass, 100,000 BTU's input/hr		
6-PR-3-GL	6' W x 3' H Glass Viewing Area, Safe-T-Touch Glass, 100,000 BTU's input/hr		
7-PR-2-GL	7' W x 2' H Glass Viewing Area, Safe-T-Touch Glass, 120,000 BTU's input/hr		
7-PR-3-GL	7' W x 3' H Glass Viewing Area, Safe-T-Touch Glass, 120,000 BTU's input/hr		
Certification Information			
Installation must conform with local building codes or in the absence of local building codes, with the National Fuel Gas Code, ANSI Z223.1/NFPA 54 – Current Edition, or the Natural or Propane Installation Code, CSAB149.1			
ANSI Standards	This fireplace series complies with ANSI Z21.50a-2016 – CSA 2.33a-2016 “Vented Fireplace”.		
UL Certification	The Galaxy Series is covered under the UL Certification Number 20141014-MH48906 and is a part of the Stellar Hearth Custom Fireplace Program.		
Commonwealth of Massachusetts	The Galaxy series has been approved by the Board of State of Plumbers and Gas Fitters. Custom Fireplace: Approval # G3-1217-239.		
Fireplace Specifications:			
Glass	The fireplace will use the Safe-T-Touch Glass System which has an additional outer layer of glass to control surface temperatures. No additional safety screen is required.		
Glass Type	.25” thick tempered glass		
Temperatures	120 – 150 Degrees		
Firebox Construction:			
Construction	16-gauge aluminized metal (majority)		
Clearances to Combustibles	<ul style="list-style-type: none"> • Left Side, Right Side and Back – 1” • Floor – 0 • Unit to top of the ceiling – 48” • Unit to adjacent side wall – 1” • Must use completely non-combustible materials in the non-combustible zone the entire width of the fireplace. Do not use wood, sheetrock, etc. in this zone. • Completely non-combustible products (metal) framing may come right up to the fireplace • Refer to Section 2 of the installation manual for more details 		
Dimensions & Framing	See Page 3 For Dimensional Drawings by Model Number		
Installation Notes:	<ul style="list-style-type: none"> • Fireplace is not load bearing • Fireplace must be on a level surface capable of supporting the fireplace and venting 		
Gas Specifications:			
Connection	½” NPT gas line connection		
Minimum Inlet Pressure Maximum Inlet Pressure	<ul style="list-style-type: none"> • Natural Gas – 7.0 w.c. Propane – 11.0 w.c. • Natural Gas – 10.0 w.c. Propane – 14.0 w.c. 		
Control Valve	Honeywell, Electronic safety valve		
BTU's	BTU's per model number listed in table at the top.		
	Refer to Section 7 of the installation manual for more details.		

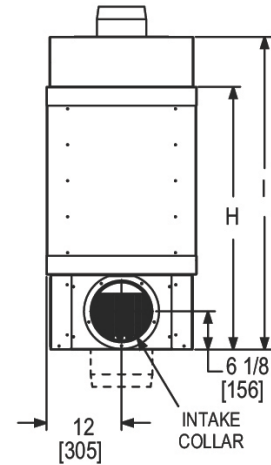
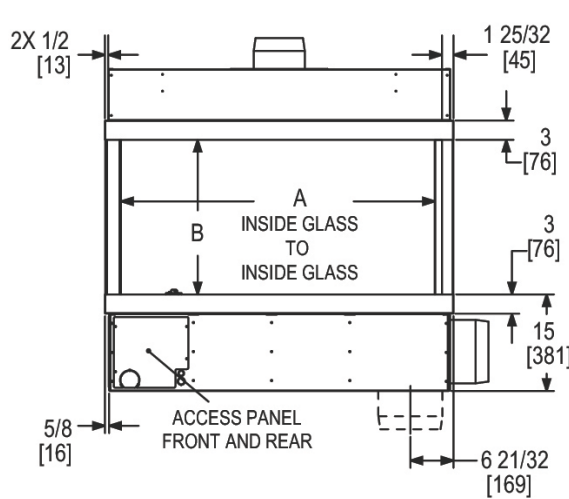
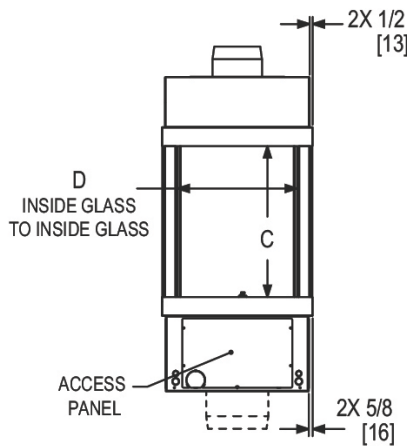
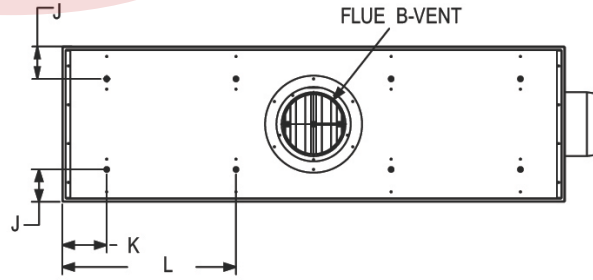
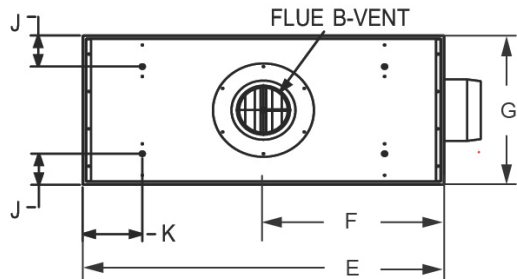
Venting and Outside Air Specifications							
Venting	<ul style="list-style-type: none"> B-Vent type venting must be used based on model number (see table below). UL/CSA approved B-Vent Only Do not decrease the vent size Must maintain 1” minimum clearance all the way around the B-Vent pipe at all times Refer to vent system manufacturer’s pipe installation guidelines for complete installation instructions Vent runs are approved for up to 110 feet with quantity 11, 90-degree elbows. Please consult Stellar Hearth for vent runs outside these parameters Refer to table below (B-Vent Size) and the Galaxy installation Manual Venting Section for more details 						
Flue Damper	Use of flue damper is optional. Refer to EnerveX specifications for proper guidelines.						
Powervent	<ul style="list-style-type: none"> This series of fireplace uses the EnerveX powervent exhaust system based on the model number. Refer to the table below (Powervent & In-Line Powervent) If using an in-line powervent, must be specified at time of order by adding an -IN to the end of the model number Consult the EnerveX installation manual for all clearance and termination installation requirements Refer to table below 						
Outside Air	<ul style="list-style-type: none"> Outside air intake connections are provided on the right side and bottom of the fireplace Use only metal pipe or Stellar Hearth approved flex pipe and insulate all exposed against cold/frost Intake pipe must maintain 1.5X the square inches of the flue pipe in free area. Intake screen/vent must be sized appropriately. Failure to do so will result in higher operating temperatures The fireplace may also use room air for combustion. You must plan for the replacement air that is consumed from the room in the fireplace. Refer to table below (Outside Air Size). 						
Electric	<ul style="list-style-type: none"> 120 vac switched power to the fireplace location and the powervent on the roof is required The fireplace, when installed, must be electrically grounded in accordance with local codes or, in the absence of local codes, with the National Electrical Code, ANSI/NFPA70, or the Canadian Electrical Code, Part 1, CSA C22.1 Refer to installation manual for electrical schematics and more details on electric 						
Electrical & Valve Access	<ul style="list-style-type: none"> Each fireplace will have four points of access, including through the interior firebox, for installation and service. Refer to installation manual for placement and make sure and plan in advance of the installation which access location will be used if needs to be accommodated for in the finish work to allow easy access for service later. <i>Optional Tethered control box is available and needs to be specified up front as the fireplace is ordered</i> 						
Specifications by Model Number:	B-Vent Size	Outside Air Size	Powervent	In-Line Powervent (IN)	VAC	AMP	kW
4-PR-2-GL	8”	10” or 480 CFM	RS012	RSIF160	120	5.8	.35
4-PR-3-GL	8”	10” or 480 CFM	RS012	RSIF160	120	5.8	.35
5-PR-2-GL	8”	10” or 640 CFM	RS012	RSIF160	120	5.8	.35
5-PR-3-GL	8”	10” or 640 CFM”	RS012	RSIF160	120	5.8	.35
6-PR-2-GL	10”	10” or 800 CFM	RS014	RSIF180	120	5.8	.35
6-PR-3-GL	10”	10” or 800 CFM	RS014	RSIF180	120	5.8	.35
7-PR-2-GL	10”	10” or 960 CFM	RS014	RSIF180	120	5.8	.35
7-PR-3-GL	10”	10” or 960 CFM	RS014	RSIF180	120	5.8	.35
Miscellaneous:							
LED Glass Media Lights	The Galaxy Series has standard LED Glass Media lights and a provided remote control to operate.						
Glass Media	The Galaxy Series comes standard with Glass media in a variety of colors. If no colors are specified, the fireplace will go out standard with Glacier Ice (clear). Natural Stone options also available.						
Driftwood Log Set & Natural Stone	The Galaxy Series has an optional driftwood log set available. We recommend using one of the Natural Stone options with driftwood over the Glass media.						
Envision Painted Panels & Mirrors	Any hi-definition image can be printed on to a mirrored panel to line the interior of the firebox as an option. Image to be provided by the customer and has to be at least 300 DPI. Optional mirrored panels (without printed images) can also be used to line the interior firebox which create endless iterations of the flames and logs throughout.						
Universal Intake & Exhaust Termination	Flush mount termination for use with in-line powervent and outside air-intake. UL Certified. Rain resistant, fully insulated and can be painted to match exterior.						
Comfort Choice	Zone Heating Option. Redirect heat from top of firebox back into the room. Works best with Single Sided and See-Through models. N/A for Four-sided models.						

Galaxy Series - Dimensions and Framing

MODEL	QTY	J	K
4'	1	5"	8-7/8"
5'	1	5"	11-7/8"

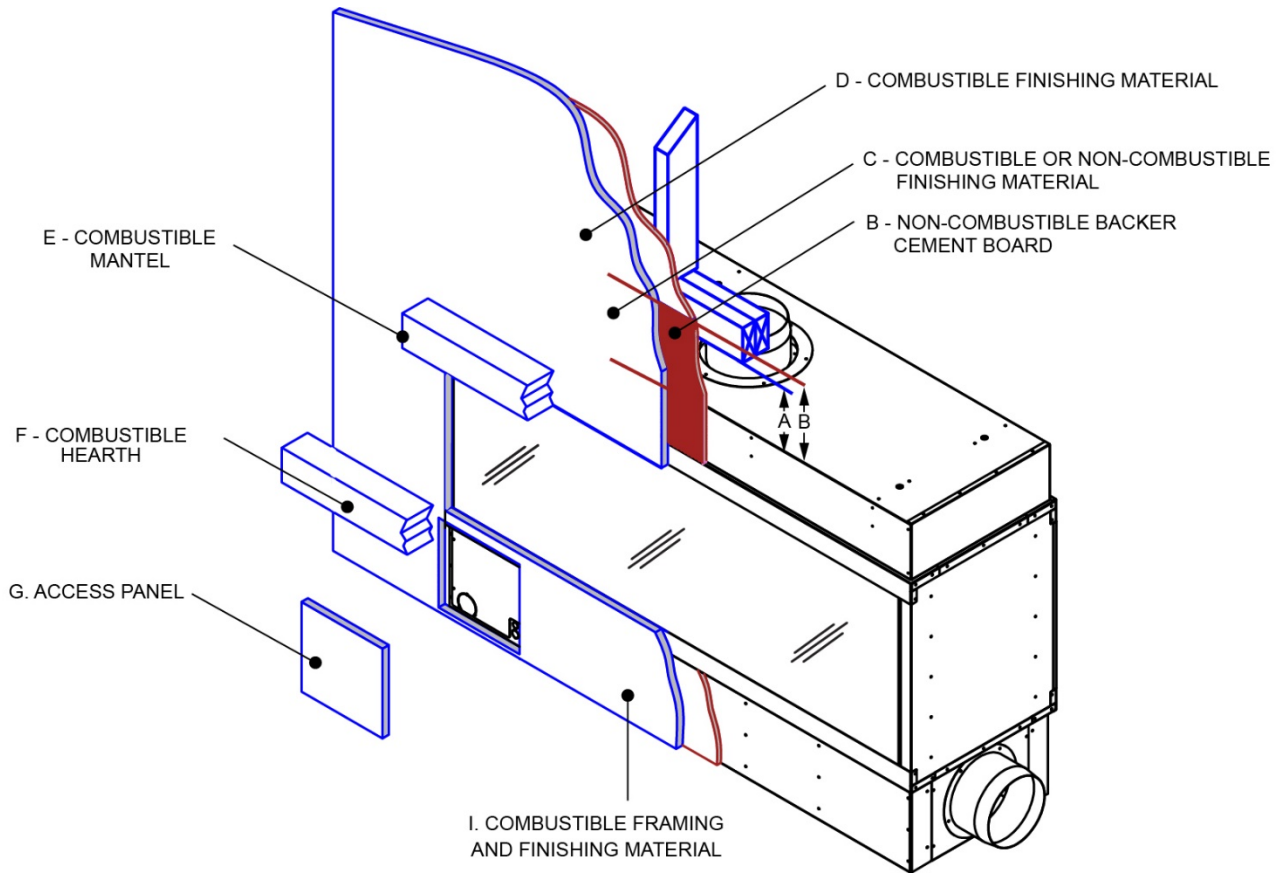
The hood shall be supported at specific locations using .250-20 UNC threaded nuds. Refer to J, K & L

MODEL	QTY	J	K	L
6'	2	5"	6-7/8"	26-7/8"
7'	2	5"	6-7/8"	32-7/8"



MODEL #	A	B	C	D	E	F	G	H	I	Framing Width	Framing Height	Framing Depth*
4-PR-2-GL	48-13/32"	24"	24"	19"	53-3/4"	26-7/8"	24"	42"	50"	54-3/4"	56"	25"
5-PR-2-GL	60-13/32"	24"	24"	19"	65-3/4"	32-7/8"	24"	42"	50"	66-3/4"	56"	25"
6-PR-2-GL	72-13/32"	24"	24"	19"	77-3/4"	38-7/8"	24"	42"	50"	78-3/4"	56"	25"
7-PR-2-GL	84-13/32"	24"	24"	19"	89-3/4"	44-7/8"	24"	42"	50"	90-3/4"	56"	25"
4-PR-3-GL	48-13/32"	36"	36"	19"	53-3/4"	26-7/8"	24"	54"	62"	54-3/4"	68"	25"
5-PR-3-GL	60-13/32"	36"	36"	19"	65-3/4"	32-7/8"	24"	54"	62"	66-3/4"	68"	25"
6-PR-3-GL	72-13/32"	36"	36"	19"	77-3/4"	38-7/8"	24"	54"	62"	78-3/4"	68"	25"
7-PR-3-GL	84-13/32"	36"	36"	19"	89-3/4"	44-7/8"	24"	54"	62"	90-3/4"	68"	25"
These dimensions represent framing to combustible materials. Non-combustible materials may be used within these dimensions right up to the unit. Steel surface may be covered with non-combustible finishing materials.										*Assumed 1/2" drywall or non-combustible board used.		

Galaxy Series Finishing Material Guidelines



- A. No combustible materials may be within 6" [152mm] of the top of the fireplace.
- B. Non-combustible backer cement board (1/2" minimum) must be used between viewing area opening and 12" [305mm] on the top the full width of the fireplace. 7" [178mm] minimum above the top of the fireplace is recommended for ease of attachment.
- C. Combustible material may cover the non-combustible area mentioned in B.
- D. Combustible finishing materials allowed.
- E. Combustible mantel may be placed above the top of the glass viewing area.
- F. Combustible hearth may be placed below the bottom of the glass viewing area.
- G. Flat covers will cover the components access. Gas and electric inlets are located behind this panel. There are four access panel options all located on the pilot side of the fireplace; front (shown above), side, back and inside behind the glass.
Please take consideration of which option will be used to access the components during planning.
- I. Combustible framing and finishing materials allowed.

Stellar Hearth Products

A brand of Big Woods Hearth Products, Inc.

16873 Fish Point Rd SE

Prior Lake, MN 55372

952-224-4072

info@stellarhearth.com

www.Stellarhearth.com

Stellar Hearth Products
Custom Fireplace Design & Manufacturing

*Our mission is to combine bold creativity
and advanced technologies collaboratively with our customer's vision, resulting
in compelling fire features for interior and exterior hearth projects.*



CADdetails
MICROSITE

**Specification Sheet
Galaxy Series
Right Corner**

Galaxy Series		Right Corner, Co-linear Direct Vent Gas Fireplace Series	
Model # Includes:	<i>CAD & BIM drawings available at CADdetails.com or contact Stellar Hearth directly</i>		
4-RC-2-GL	4' W x 2' H Glass Viewing Area, Safe-T-Touch Glass, 60,000 BTU's input/hr		
4-RC-3-GL	4' W x 3' H Glass Viewing Area, Safe-T-Touch Glass, 60,000 BTU's input/hr		
5-RC-2-GL	5' W x 2' H Glass Viewing Area, Safe-T-Touch Glass, 80,000 BTU's input/hr		
5-RC-3-GL	5' W x 3' H Glass Viewing Area, Safe-T-Touch Glass, 80,000 BTU's input/hr		
6-RC-2-GL	6' W x 2' H Glass Viewing Area, Safe-T-Touch Glass, 100,000 BTU's input/hr		
6-RC-3-GL	6' W x 3' H Glass Viewing Area, Safe-T-Touch Glass, 100,000 BTU's input/hr		
7-RC-2-GL	7' W x 2' H Glass Viewing Area, Safe-T-Touch Glass, 120,000 BTU's input/hr		
7-RC-3-GL	7' W x 3' H Glass Viewing Area, Safe-T-Touch Glass, 120,000 BTU's input/hr		
Certification Information			
Installation must conform with local building codes or in the absence of local building codes, with the National Fuel Gas Code, ANSI Z223.1/NFPA 54 – Current Edition, or the Natural or Propane Installation Code, CSAB149.1			
ANSI Standards	This fireplace series complies with ANSI Z21.50a-2016 – CSA 2.33a-2016 “Vented Fireplace”		
UL Certification	The Galaxy Series is covered under the UL Certification Number 20141014-MH48906 and is a part of the Stellar Hearth Custom Fireplace Program.		
Commonwealth of Massachusetts	The Galaxy series has been approved by the Board of State of Plumbers and Gas Fitters. Custom Fireplace: Approval # G3-1217-239		
Fireplace Specifications:			
Glass	The fireplace will use the Safe-T-Touch Glass System which has an additional outer layer of Glass to control surface temperatures. No additional safety screen is required.		
Glass Type	.25” thick tempered Glass		
Temperatures	120 – 150 Degrees		
Firebox Construction:			
Construction	16-gauge aluminized metal (majority)		
Clearances to Combustibles	<ul style="list-style-type: none"> • Left Side, Right Side and Back – 1” • Floor – 0 • Unit to top of the ceiling – 48” • Unit to adjacent side wall – 1” • Must use completely non-combustible materials in the non-combustible zone the entire width of the fireplace. Do not use wood, sheetrock, etc. in this zone. • Completely non-combustible products (metal) framing may come right up to the fireplace • Refer to Section 2 of the installation manual for more details 		
Dimensions & Framing	See Page 3 For Dimensional Drawings by Model Number		
Installation Notes:	<ul style="list-style-type: none"> • Fireplace is not load bearing • Fireplace must be on a level surface capable of supporting the fireplace and venting 		
Gas Specifications:			
Connection	½” NPT gas line connection		
Minimum Inlet Pressure	<ul style="list-style-type: none"> • Natural Gas – 7.0 w.c. • Propane – 11.0 w.c. 		
Maximum Inlet Pressure	<ul style="list-style-type: none"> • Natural Gas – 10.0 w.c. • Propane – 14.0 w.c. 		
Control Valve	Honeywell, Electronic safety valve		
BTU's	BTU's per model number listed in table at the top		
	Refer to Section 7 of the installation manual for more details		

Venting and Outside Air Specifications

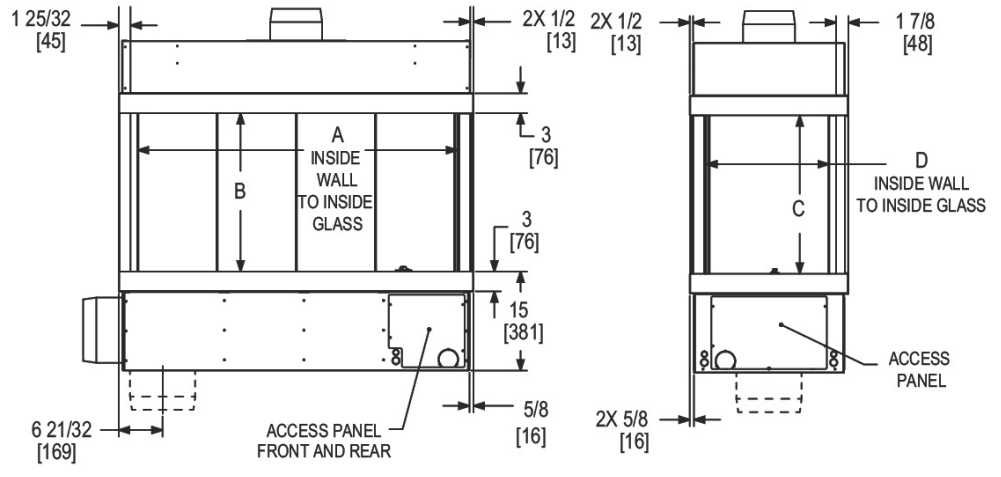
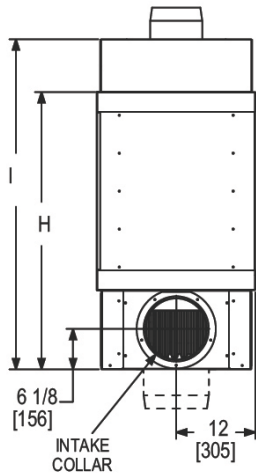
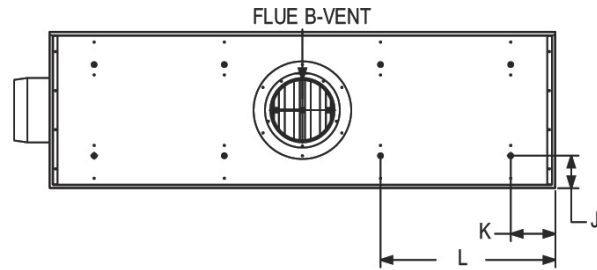
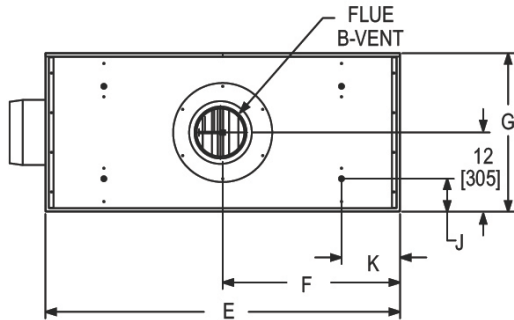
Venting	<ul style="list-style-type: none"> B-Vent type venting must be used based on model number (see table below). UL/CSA approved B-Vent Only. Do not decrease the vent size. Must maintain 1” minimum clearance all the way around the B-Vent pipe at all times. Refer to vent system manufacturer’s pipe installation guidelines for complete installation instructions. Vent runs are approved for up to 110 feet with quantity 11, 90-degree elbows. Please consult Stellar Hearth for vent runs outside these parameters. Refer to table below (B-Vent Size) and the Galaxy installation Manual Venting Section for more details. 						
Flue Damper	Use of flue damper is optional. Refer to EnerveX specifications for proper guidelines.						
Powervent	<ul style="list-style-type: none"> This series of fireplace uses the EnerveX powervent exhaust system based on the model number. Refer to the table below (Powervent & In-Line Powervent). If using an in-line powervent, must be specified at time of order by adding an -IN to the end of the model number. Consult the EnerveX installation manual for all clearance and termination installation requirements. Refer to table below. 						
Outside Air	<ul style="list-style-type: none"> Outside air intake connections are provided on the right side and bottom of the fireplace. Use only metal pipe or Stellar Hearth approved flex pipe and insulate all exposed against cold/frost. Intake pipe must maintain 1.5X the square inches of the flue pipe in free area. Intake screen/vent must be sized appropriately. Failure to do so will result in higher operating temperatures. The fireplace may also use room air for combustion. You must plan for the replacement air that is consumed from the room in the fireplace. Refer to table below (Outside Air Size). 						
Electric	<ul style="list-style-type: none"> 120 vac switched power to the fireplace location and the powervent on the roof is required. The fireplace, when installed, must be electrically grounded in accordance with local codes or, in the absence of local codes, with the National Electrical Code, ANSI/NFPA70, or the Canadian Electrical Code, Part 1, CSA C22.1. Refer to installation manual for electrical schematics and more details on electric. 						
Electrical & Valve Access	<ul style="list-style-type: none"> Each fireplace will have four points of access, including through the interior firebox, for installation and service. Refer to installation manual for placement and make sure and plan in advance of the installation which access location will be used if needs to be accommodated for in the finish work to allow easy access for service later. <i>Optional Tethered control box is available and needs to be specified up front as the fireplace is ordered.</i> 						
Specifications by Model Number:	B-Vent Size	Outside Air Size	Powervent	In-Line Powervent (IN)	VAC	AMP	kW
4-RC-2-GL	8”	10” or 480 CFM	RS012	RSIF160	120	5.8	.35
4-RC-3-GL	8”	10” or 480 CFM	RS012	RSIF160	120	5.8	.35
5-RC-2-GL	8”	10” or 640 CFM	RS012	RSIF160	120	5.8	.35
5-RC-3-GL	8”	10” or 640 CFM”	RS012	RSIF160	120	5.8	.35
6-RC-2-GL	10”	10” or 800 CFM	RS014	RSIF180	120	5.8	.35
6-RC-3-GL	10”	10” or 800 CFM	RS014	RSIF180	120	5.8	.35
7-RC-2-GL	10”	10” or 960 CFM	RS014	RSIF180	120	5.8	.35
7-RC-3-GL	10”	10” or 960 CFM	RS014	RSIF180	120	5.8	.35
Miscellaneous:							
LED Glass Media Lights	The Galaxy Series has standard LED Glass Media lights and a provided remote control to operate.						
Glass Media	The Galaxy Series comes standard with glass media in a variety of colors. If no colors are specified, the fireplace will go out standard with Glacier Ice (clear). Natural Stone options also available.						
Driftwood Log Set & Natural Stone	The Galaxy Series has an optional driftwood log set available. We recommend using one of the Natural Stone options with driftwood over the glass media.						
Envision Painted Panels & Mirrors	Any hi-definition image can be printed on to a mirrored panel to line the interior of the firebox as an option. Image to be provided by the customer and has to be at least 300 DPI. Optional mirrored panels (without printed images) can also be used to line the interior firebox which create endless iterations of the flames and logs throughout.						
Universal Intake & Exhaust Termination	Flush mount termination for use with in-line powervent and outside air-intake. UL Certified. Rain resistant, fully insulated and can be painted to match exterior.						
Comfort Choice	Zone Heating Option. Redirect heat from top of firebox back into the room. Works best with Single Sided and See-Through models. N/A for Four-sided models.						

Galaxy Series - Dimensions and Framing

MODEL	QTY	J	K
4'	1	5"	8-7/8"
5'	1	5"	11-7/8"

The hood shall be supported at specific locations using .250-20 UNC threaded nuds. Refer to J, K & L

MODEL	QTY	J	K	L
6'	2	5"	6-7/8"	26-7/8"
7'	2	5"	6-7/8"	32-7/8"

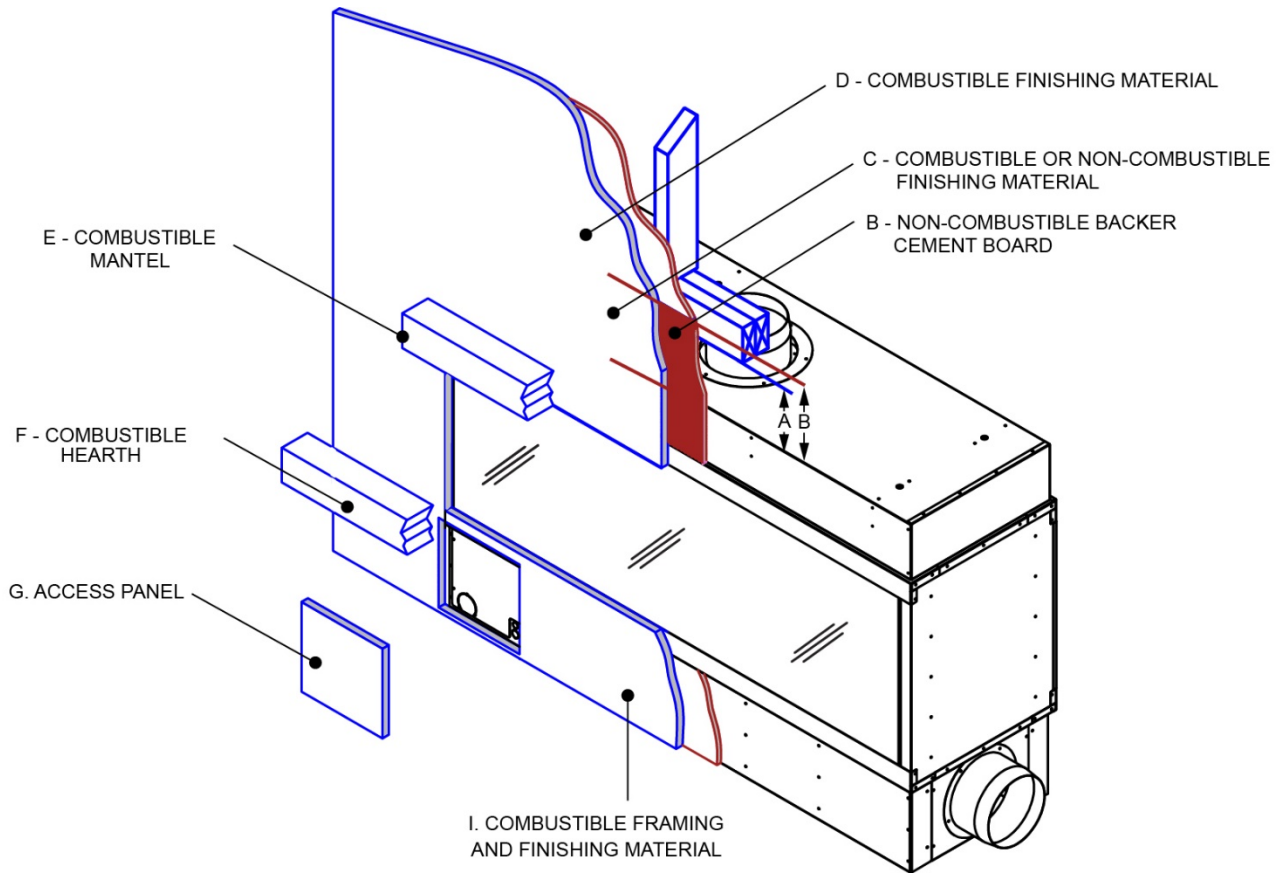


MODEL #	A	B	C	D	E	F	G	H	I	Framing Width	Framing Height	Framing Depth*
4-RC-2-GL	48-13/32"	24"	24"	18-9/16"	53-3/4"	26-7/8"	24"	42"	50"	54-3/4"	56"	25"
5-RC-2-GL	60-13/32"	24"	24"	18-9/16"	65-3/4"	32-7/8"	24"	42"	50"	66-3/4"	56"	25"
6-RC-2-GL	72-13/32"	24"	24"	18-9/16"	77-3/4"	38-7/8"	24"	42"	50"	78-3/4"	56"	25"
7-RC-2-GL	84-13/32"	24"	24"	18-9/16"	89-3/4"	44-7/8"	24"	42"	50"	90-3/4"	56"	25"
4-RC-3-GL	48-13/32"	36"	36"	18-9/16"	53-3/4"	26-7/8"	24"	54"	62"	54-3/4"	68"	25"
5-RC-3-GL	60-13/32"	36"	36"	18-9/16"	65-3/4"	32-7/8"	24"	54"	62"	66-3/4"	68"	25"
6-RC-3-GL	72"-13/32"	36"	36"	18-9/16"	77-3/4"	38-7/8"	24"	54"	62"	78-3/4"	68"	25"
7-RC-3-GL	84-13/32"	36"	36"	18-9/16"	89-3/4"	44-7/8"	24"	54"	62"	91-3/4"	68"	25"

These dimensions represent framing to combustible materials. Non-combustible materials may be used within these dimensions right up to the unit. Steel surface may be covered with non-combustible finishing materials.

*Assumed 1/2" drywall or non-combustible board used.

Galaxy Series Finishing Material Guidelines



- A. No combustible materials may be within 6" [152mm] of the top of the fireplace.
- B. Non-combustible backer cement board (1/2" minimum) must be used between viewing area opening and 12" [305mm] on the top the full width of the fireplace. 7" [178mm] minimum above the top of the fireplace is recommended for ease of attachment.
- C. Combustible material may cover the non-combustible area mentioned in B.
- D. Combustible finishing materials allowed.
- E. Combustible mantel may be placed above the top of the glass viewing area.
- F. Combustible hearth may be placed below the bottom of the glass viewing area.
- G. Flat covers will cover the components access. Gas and electric inlets are located behind this panel. There are four access panel options all located on the pilot side of the fireplace; front (shown above), side, back and inside behind the glass.
Please take consideration of which option will be used to access the components during planning.
- I. Combustible framing and finishing materials allowed.

Stellar Hearth Products

A brand of Big Woods Hearth Products, Inc.

16873 Fish Point Rd SE

Prior Lake, MN 55372

952-224-4072

info@stellarhearth.com

www.Stellarhearth.com

Stellar Hearth Products
Custom Fireplace Design & Manufacturing

*Our mission is to combine bold creativity
and advanced technologies collaboratively with our customer's vision, resulting
in compelling fire features for interior and exterior hearth projects.*



Specification Sheet
Galaxy Series
Single Sided

Galaxy Series		Single Sided, Co-linear Direct Vent Gas Fireplace Series	
Model # Includes:	<i>CAD & BIM drawings available at CADdetails.com or contact Stellar Hearth directly</i>		
4-SS-2-GL	4' W x 2' H Glass Viewing Area, Safe-T-Touch Glass, 60,000 BTU's input/hr		
4-SS-3-GL	4' W x 3' H Glass Viewing Area, Safe-T-Touch Glass, 60,000 BTU's input/hr		
5-SS-2-GL	5' W x 2' H Glass Viewing Area, Safe-T-Touch Glass, 80,000 BTU's input/hr		
5-SS-3-GL	5' W x 3' H Glass Viewing Area, Safe-T-Touch Glass, 80,000 BTU's input/hr		
6-SS-2-GL	6' W x 2' H Glass Viewing Area, Safe-T-Touch Glass, 100,000 BTU's input/hr		
6-SS-3-GL	6' W x 3' H Glass Viewing Area, Safe-T-Touch Glass, 100,000 BTU's input/hr		
7-SS-2-GL	7' W x 2' H Glass Viewing Area, Safe-T-Touch Glass, 120,000 BTU's input/hr		
7-SS-3-GL	7' W x 3' H Glass Viewing Area, Safe-T-Touch Glass, 120,000 BTU's input/hr		
Certification Information			
Installation must conform with local building codes or in the absence of local building codes, with the National Fuel Gas Code, ANSI Z223.1/NFPA 54 – Current Edition, or the Natural or Propane Installation Code, CSAB149.1			
ANSI Standards	This fireplace series complies with ANSI Z21.50a-2016 – CSA 2.33a-2016 “Vented Fireplace”		
UL Certification	The Galaxy Series is covered under the UL Certification Number 20141014-MH48906 and is a part of the Stellar Hearth Custom Fireplace Program.		
Commonwealth of Massachusetts	The Galaxy series has been approved by the Board of State of Plumbers and Gas Fitters. Custom Fireplace: Approval # G3-1217-239		
Fireplace Specifications:			
Glass	The fireplace will use the Safe-T-Touch Glass System which has an additional outer layer of glass to control surface temperatures. No additional safety screen is required.		
Glass Type	.25” thick tempered glass		
Temperatures	120 – 150 Degrees		
Firebox Construction:			
Construction	16-gauge aluminized metal (majority)		
Clearances to Combustibles	<ul style="list-style-type: none"> • Left Side, Right Side and Back – 1” • Floor – 0 • Unit to top of the ceiling – 48” • Unit to adjacent side wall – 1” • Must use completely non-combustible materials in the non-combustible zone the entire width of the fireplace. Do not use wood, sheetrock, etc. in this zone. • Completely non-combustible products (metal) framing may come right up to the fireplace • Refer to Section 2 of the installation manual for more details 		
Dimensions & Framing	See Page 3 For Dimensional Drawings by Model Number		
Installation Notes:	<ul style="list-style-type: none"> • Fireplace is not load bearing • Fireplace must be on a level surface capable of supporting the fireplace and venting 		
Gas Specifications:			
Connection	½” NPT gas line connection		
Minimum Inlet Pressure	<ul style="list-style-type: none"> • Natural Gas – 7.0 w.c. • Propane – 11.0 w.c. 		
Maximum Inlet Pressure	<ul style="list-style-type: none"> • Natural Gas – 10.0 w.c. • Propane – 14.0 w.c. 		
Control Valve	Honeywell, Electronic safety valve		
BTU's	BTU's per model number listed in table at the top		
	Refer to Section 7 of the installation manual for more details		

Venting and Outside Air Specifications

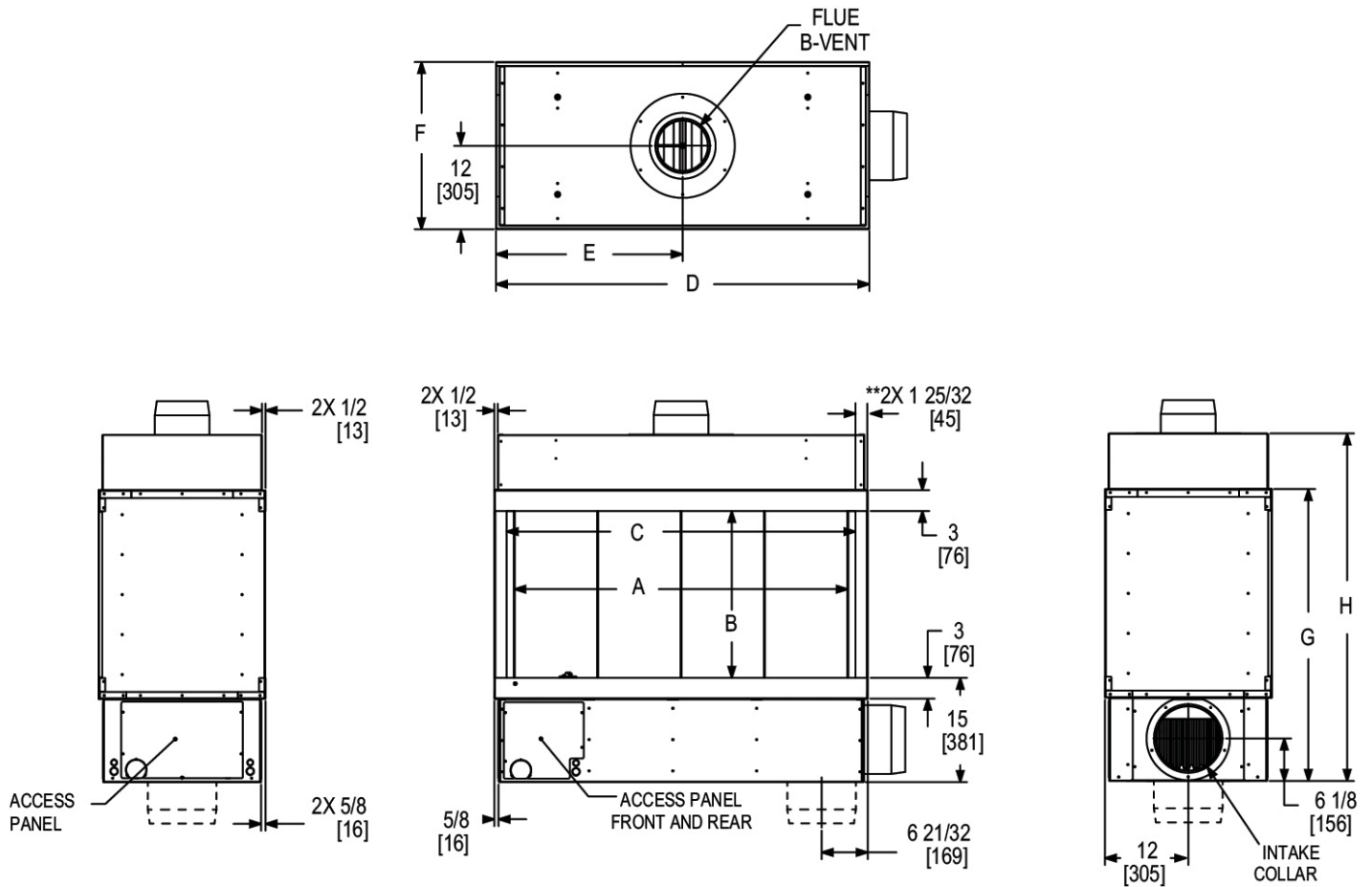
Venting	<ul style="list-style-type: none"> B-Vent type venting must be used based on model number (see table below). UL/CSA approved B-Vent Only Do not decrease the vent size Must maintain 1” minimum clearance all the way around the B-Vent pipe at all times Refer to vent system manufacturer’s pipe installation guidelines for complete installation instructions Vent runs are approved for up to 110 feet with quantity 11, 90-degree elbows. Please consult Stellar Hearth for vent runs outside these parameters Refer to table below (B-Vent Size) and the Galaxy installation Manual Venting Section for more details
Flue Damper	Use of flue damper is optional. Refer to Enervex specifications for proper guidelines.
Powervent	<ul style="list-style-type: none"> This series of fireplace uses the Enervex powervent exhaust system based on the model number. Refer to the table below (Powervent & In-Line Powervent) If using an in-line powervent, must be specified at time of order by adding an -IN to the end of the model number Consult the Enervex installation manual for all clearance and termination installation requirements Refer to table below
Outside Air	<ul style="list-style-type: none"> Outside air intake connections are provided on the right side and bottom of the fireplace Use only metal pipe or Stellar Hearth approved flex pipe and insulate all exposed against cold/frost Intake pipe must maintain 1.5X the square inches of the flue pipe in free area. Intake screen/vent must be sized appropriately. Failure to do so will result in higher operating temperatures The fireplace may also use room air for combustion. You must plan for the replacement air that is consumed from the room in the fireplace. Refer to table below (Outside Air Size)
Electric	<ul style="list-style-type: none"> 120 vac switched power to the fireplace location and the powervent on the roof is required The fireplace, when installed, must be electrically grounded in accordance with local codes or, in the absence of local codes, with the National Electrical Code, ANSI/NFPA70, or the Canadian Electrical Code, Part 1, CSA C22.1 Refer to installation manual for electrical schematics and more details on electric
Electrical & Valve Access	<ul style="list-style-type: none"> Each fireplace will have four points of access, including through the interior firebox, for installation and service. Refer to installation manual for placement and make sure and plan in advance of the installation which access location will be used if needs to be accommodated for in the finish work to allow easy access for service later <i>Optional Tethered control box is available and needs to be specified up front as the fireplace is ordered</i>

Specifications by Model Number:	B-Vent Size	Outside Air Size	Powervent	In-Line Powervent (IN)	VAC	AMP	kW
4-SS-2-GL	8”	10” or 480 CFM	RS012	RSIF160	120	5.8	.35
4-SS-3-GL	8”	10” or 480 CFM	RS012	RSIF160	120	5.8	.35
5-SS-2-GL	8”	10” or 640 CFM	RS012	RSIF160	120	5.8	.35
5-SS-3-GL	8”	10” or 640 CFM”	RS012	RSIF160	120	5.8	.35
6-SS-2-GL	10”	10” or 800 CFM	RS014	RSIF180	120	5.8	.35
6-SS-3-GL	10”	10” or 800 CFM	RS014	RSIF180	120	5.8	.35
7-SS-2-GL	10”	10” or 960 CFM	RS014	RSIF180	120	5.8	.35
7-SS-3-GL	10”	10” or 960 CFM	RS014	RSIF180	120	5.8	.35

Miscellaneous:

LED Glass Media Lights	The Galaxy Series has standard LED Glass Media lights and a provided remote control to operate.
Glass Media	The Galaxy Series comes standard with glass media in a variety of colors. If no colors are specified, the fireplace will go out standard with Glacier Ice (clear). Natural Stone options also available.
Driftwood Log Set & Natural Stone	The Galaxy Series has an optional driftwood log set available. We recommend using one of the Natural Stone options with driftwood over the glass media.
Envision Painted Panels & Mirrors	Any hi-definition image can be printed on to a mirrored panel to line the interior of the firebox as an option. Image to be provided by the customer and has to be at least 300 DPI. Optional mirrored panels (without printed images) can also be used to line the interior firebox which create endless iterations of the flames and logs throughout.
Universal Intake & Exhaust Termination	Flush mount termination for use with in-line powervent and outside air-intake. UL Certified. Rain resistant, fully insulated and can be painted to match exterior.
Comfort Choice	Zone Heating Option. Redirect heat from top of firebox back into the room. Works best with Single Sided and See-Through models. N/A for Four-sided models.

Galaxy Series - Dimensions and Framing

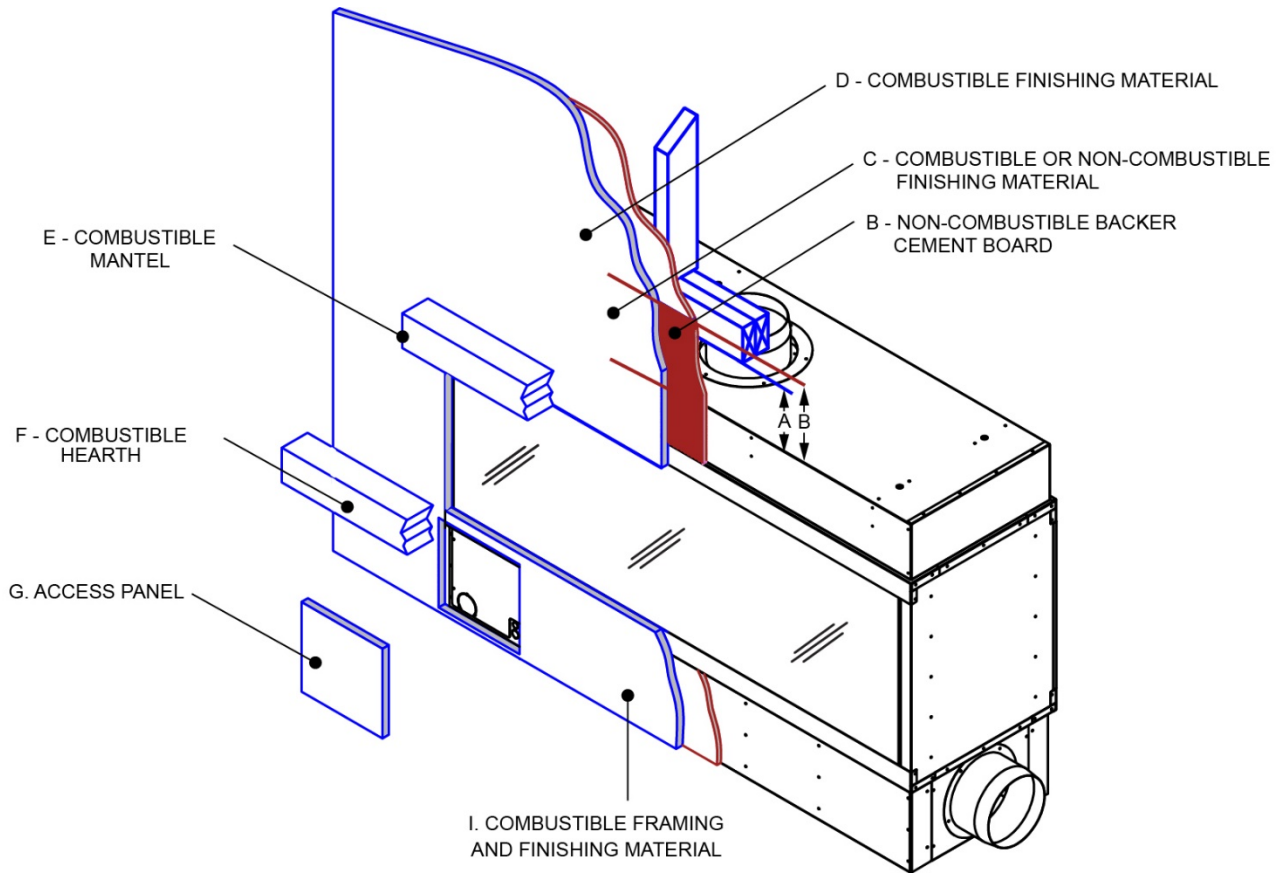


MODEL #	A	B	C	D	E	F	G	H	Framing Width	Framing Height	Framing Depth*
4-SS-2-GL	48"	24"	50-3/16"	53-3/4"	26-7/8"	24"	42"	50"	55-3/4"	56"	25"
5-SS-2-GL	60"	24"	62-3/16"	65-3/4"	32-7/8"	24"	42"	50"	67-3/4"	56"	25"
6-SS-2-GL	72"	24"	74-3/16"	77-3/4"	38-7/8"	24"	42"	50"	79-3/4"	56"	25"
7-SS-2-GL	84"	24"	86-3/16"	89-3/4"	44-7/8"	24"	42"	50"	91-3/4"	56"	25"
4-SS-3-GL	48"	36"	50-3/16"	53-3/4"	26-7/8"	24"	54"	62"	55-3/4"	68"	25"
5-SS-3-GL	60"	36"	62-3/16"	65-3/4"	32-7/8"	24"	54"	62"	67-3/4"	68"	25"
6-SS-3-GL	72"	36"	74-3/16"	77-3/4"	38-7/8"	24"	54"	62"	79-3/4"	68"	25"
7-SS-3-GL	84"	36"	86-3/16"	89-3/4"	44-7/8"	24"	54"	62"	91-3/4"	68"	25"

These dimensions represent framing to combustible materials. Non-combustible materials may be used within these dimensions right up to the unit. Steel surface may be covered with non-combustible finishing materials.

*Assumed 1/2" drywall or non-combustible board used

Galaxy Series Finishing Material Guidelines



- A. No combustible materials may be within 6" [152mm] of the top of the fireplace.
- B. Non-combustible backer cement board (1/2" minimum) must be used between viewing area opening and 12" [305mm] on the top the full width of the fireplace. 7" [178mm] minimum above the top of the fireplace is recommended for ease of attachment.
- C. Combustible material may cover the non-combustible area mentioned in B.
- D. Combustible finishing materials allowed.
- E. Combustible mantel may be placed above the top of the glass viewing area.
- F. Combustible hearth may be placed below the bottom of the glass viewing area.
- G. Flat covers will cover the components access. Gas and electric inlets are located behind this panel. There are four access panel options all located on the pilot side of the fireplace; front (shown above), side, back and inside behind the glass.
Please take consideration of which option will be used to access the components during planning.
- I. Combustible framing and finishing materials allowed.

Stellar Hearth Products

A brand of Big Woods Hearth Products, Inc.

16873 Fish Point Rd SE

Prior Lake, MN 55372

952-224-4072

info@stellarhearth.com

www.Stellarhearth.com

Stellar Hearth Products
Custom Fireplace Design & Manufacturing

*Our mission is to combine bold creativity
and advanced technologies collaboratively with our customer's vision, resulting
in compelling fire features for interior and exterior hearth projects.*



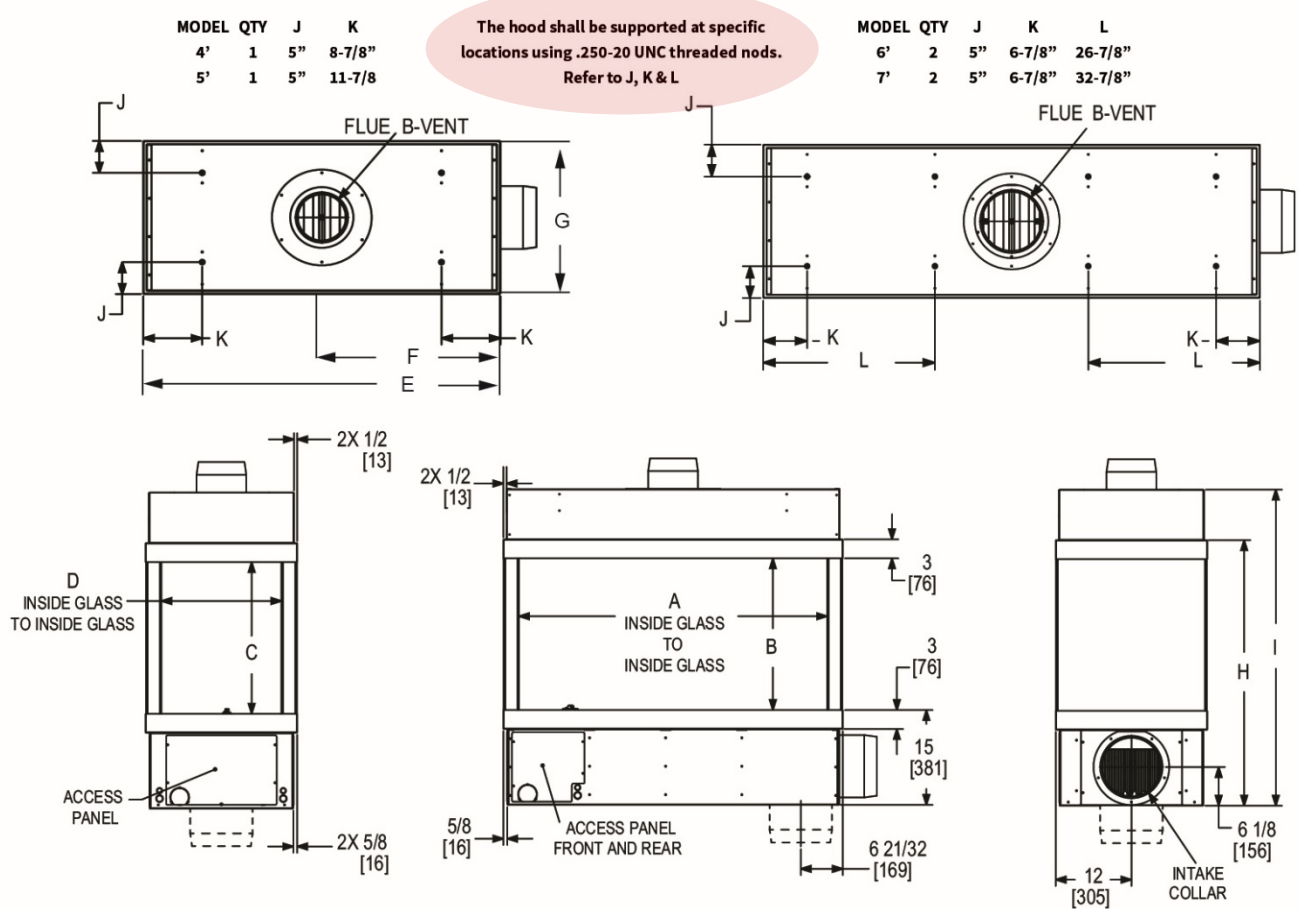
**Specification Sheet
Galaxy Series
Four-Sided**

Galaxy Series		Four-Sided, Co-linear Direct Vent Gas Fireplace Series	
Model # Includes:	<i>CAD & BIM drawings available at CADdetails.com or contact Stellar Hearth directly</i>		
4-4S-2-GL	4' W x 2' H Glass Viewing Area, Safe-T-Touch Glass, 60,000 BTU's input/hr		
4-4S-3-GL	4' W x 3' H Glass Viewing Area, Safe-T-Touch Glass, 60,000 BTU's input/hr		
5-4S-2-GL	5' W x 2' H Glass Viewing Area, Safe-T-Touch Glass, 80,000 BTU's input/hr		
5-4S-3-GL	5' W x 3' H Glass Viewing Area, Safe-T-Touch Glass, 80,000 BTU's input/hr		
6-4S-2-GL	6' W x 2' H Glass Viewing Area, Safe-T-Touch Glass, 100,000 BTU's input/hr		
6-4S-3-GL	6' W x 3' H Glass Viewing Area, Safe-T-Touch Glass, 100,000 BTU's input/hr		
7-4S-2-GL	7' W x 2' H Glass Viewing Area, Safe-T-Touch Glass, 120,000 BTU's input/hr		
7-4S-3-GL	7' W x 3' H Glass Viewing Area, Safe-T-Touch Glass, 120,000 BTU's input/hr		
Certification Information			
Installation must conform with local building codes or in the absence of local building codes, with the National Fuel Gas Code, ANSI Z223.1/NFPA 54 – Current Edition, or the Natural or Propane Installation Code, CSAB149.1			
ANSI Standards	This fireplace series complies with ANSI Z21.50a-2016 – CSA 2.33a-2016 “Vented Fireplace”		
UL Certification	The Galaxy Series is covered under the UL Certification Number 20141014-MH48906 and is a part of the Stellar Hearth Custom Fireplace Program.		
Commonwealth of Massachusetts	The Galaxy series has been approved by the Board of State of Plumbers and Gas Fitters. Custom Fireplace: Approval # G3-1217-239.		
Fireplace Specifications:			
Glass	The fireplace will use the Safe-T-Touch Glass System which has an additional outer layer of Glass to control surface temperatures. No additional safety screen is required.		
Glass Type	.25” thick tempered Glass		
Temperatures	120 – 150 Degrees		
Firebox Construction:			
Construction	16-gauge aluminized metal (majority)		
Clearances to Combustibles	<ul style="list-style-type: none"> • Left Side, Right Side and Back – 1” • Floor – 0 • Unit to top of the ceiling – 48” • Unit to adjacent side wall – 1” • Must use completely non-combustible materials in the non-combustible zone the entire width of the fireplace. Do not use wood, sheetrock, etc. in this zone. • Completely non-combustible products (metal) framing may come right up to the fireplace • Refer to Section 2 of the installation manual for more details 		
Dimensions & Framing	See Page 3 For Dimensional Drawings by Model Number		
Installation Notes:	<ul style="list-style-type: none"> • Fireplace is not load bearing • Fireplace must be on a level surface capable of supporting the fireplace and venting 		
Gas Specifications:			
Connection	½” NPT gas line connection		
Minimum Inlet Pressure	<ul style="list-style-type: none"> • Natural Gas – 7.0 w.c. • Propane – 11.0 w.c. 		
Maximum Inlet Pressure	<ul style="list-style-type: none"> • Natural Gas – 10.0 w.c. • Propane – 14.0 w.c. 		
Control Valve	Honeywell, Electronic safety valve		
BTU's	<ul style="list-style-type: none"> • BTU's per model number listed in table at the top 		
Refer to Section 7 of the installation manual for more details.			

Venting and Outside Air Specifications

Venting	<ul style="list-style-type: none"> B-Vent type venting must be used based on model number (see table below). UL/CSA approved B-Vent Only Do not decrease the vent size Must maintain 1” minimum clearance all the way around the B-Vent pipe at all times Refer to vent system manufacturer’s pipe installation guidelines for complete installation instructions Vent runs are approved for up to 110 feet with quantity 11, 90-degree elbows. Please consult Stellar Hearth for vent runs outside these parameters Refer to table below (B-Vent Size) and the Galaxy installation Manual Venting Section for more details 						
Flue Damper	Use of flue damper is optional. Refer to Enervex specifications for proper guidelines.						
Powervent	<ul style="list-style-type: none"> This series of fireplace uses the Enervex powervent exhaust system based on the model number. Refer to the table below (Powervent & In-Line Powervent) If using an in-line powervent, must be specified at time of order by adding an -IN to the end of the model number Consult the Enervex installation manual for all clearance and termination installation requirements Refer to table below 						
Outside Air	<ul style="list-style-type: none"> Outside air intake connections are provided on the right side and bottom of the fireplace Use only metal pipe or Stellar Hearth approved flex pipe and insulate all exposed against cold/frost Intake pipe must maintain 1.5X the square inches of the flue pipe in free area. Intake screen/vent must be sized appropriately. Failure to do so will result in higher operating temperatures The fireplace may also use room air for combustion. You must plan for the replacement air that is consumed from the room in the fireplace. Refer to table below (Outside Air Size) 						
Electric	<ul style="list-style-type: none"> 120 vac switched power to the fireplace location and the powervent on the roof is required The fireplace, when installed, must be electrically grounded in accordance with local codes or, in the absence of local codes, with the National Electrical Code, ANSI/NFPA70, or the Canadian Electrical Code, Part 1, CSA C22.1 Refer to installation manual for electrical schematics and more details on electric 						
Electrical & Valve Access	<ul style="list-style-type: none"> Each fireplace will have four points of access, including through the interior firebox, for installation and service. Refer to installation manual for placement and make sure and plan in advance of the installation which access location will be used if needs to be accommodated for in the finish work to allow easy access for service later <i>Optional Tethered control box is available and needs to be specified up front as the fireplace is ordered</i> 						
Specifications by Model Number:	B-Vent Size	Outside Air Size	Powervent	In-Line Powervent (IN)	VAC	AMP	kW
4-4S-2-GL	8”	10” or 480 CFM	RS012	RSIF160	120	5.8	.35
4-4S-3-GL	8”	10” or 480 CFM	RS012	RSIF160	120	5.8	.35
5-4S-2-GL	8”	10” or 640 CFM	RS012	RSIF160	120	5.8	.35
5-4S-3-GL	8”	10” or 640 CFM”	RS012	RSIF160	120	5.8	.35
6-4S-2-GL	10”	10” or 800 CFM	RS014	RSIF180	120	5.8	.35
6-4S-3-GL	10”	10” or 800 CFM	RS014	RSIF180	120	5.8	.35
7-4S-2-GL	10”	10” or 960 CFM	RS014	RSIF180	120	5.8	.35
7-4S-3-GL	10”	10” or 960 CFM	RS014	RSIF180	120	5.8	.35
Miscellaneous:							
LED Glass Media Lights	The Galaxy Series has standard LED Glass Media lights and a provided remote control to operate.						
Glass Media	The Galaxy Series comes standard with Glass media in a variety of colors. If no colors are specified, the fireplace will go out standard with Glacier Ice (clear). Natural Stone options also available.						
Driftwood Log Set and Natural Stone	The Galaxy Series has an optional driftwood log set available. We recommend using one of the Natural Stone options with driftwood over the Glass media.						
Envision Painted Panels & Mirrors	Any hi-definition image can be printed on to a mirrored panel to line the interior of the firebox as an option. Image to be provided by the customer and has to be at least 300 DPI. Optional mirrored panels (without printed images) can also be used to line the interior firebox which create endless iterations of the flames and logs throughout.						
Universal Intake & Exhaust Termination	Flush mount termination for use with in-line powervent and outside air-intake. UL Certified. Rain resistant, fully insulated and can be painted to match exterior.						
Comfort Choice	Zone Heating Option. Redirect heat from top of firebox back into the room. Works best with Single Sided and See-Through models. N/A for Four-sided models.						

Galaxy Series - Dimensions and Framing

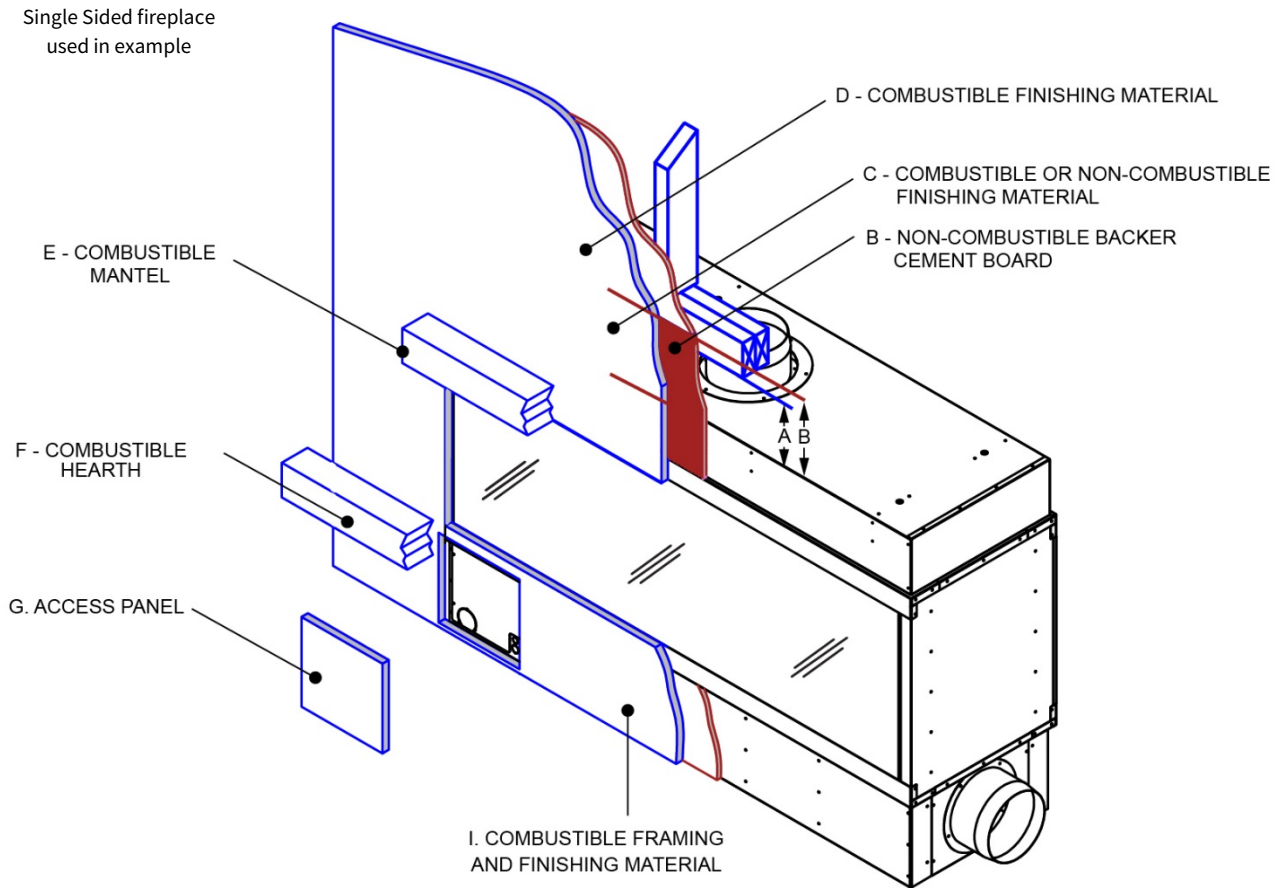


MODEL #	A	B	C	D	E	F	G	H	I	Framing Width	Framing Height	Framing Depth*
4-4S-2-GL	48-25/32"	24"	24"	19"	53-3/4"	26-7/8"	24"	42"	50"	52-3/4"	56"	23"
5-4S-2-GL	60-25/32"	24"	24"	19"	65-3/4"	32-7/8"	24"	42"	50"	64-3/4"	56"	23"
6-4S-2-GL	72-25/32"	24"	24"	19"	77-3/4"	38-7/8"	24"	42"	50"	76-3/4"	56"	23"
7-4S-2-GL	84-25/32"	24"	24"	19"	89-3/4"	44-7/8"	24"	42"	50"	88-3/4"	56"	23"
4-4S-3-GL	48-25/32"	36"	36"	19"	53-3/4"	26-7/8"	24"	54"	62"	52-3/4"	68"	23"
5-4S-3-GL	60-25/32"	36"	36"	19"	65-3/4"	32-7/8"	24"	54"	62"	64-3/4"	68"	23"
6-4S-3-GL	72-25/32"	36"	36"	19"	77-3/4"	38-7/8"	24"	54"	62"	76-3/4"	68"	23"
7-4S-3-GL	84-25/32"	36"	36"	19"	89-3/4"	44-7/8"	24"	54"	62"	88-3/4"	68"	23"

These dimensions represent framing to combustible materials.
Non-combustible materials may be used within these dimensions right up to the unit.
Steel surface may be covered with non-combustible finishing materials.

*Assumed 1/2" drywall or non-combustible board used.

Galaxy Series Finishing Material Guidelines



- A. No combustible materials may be within 6" [152mm] of the top of the fireplace.
- B. Non-combustible backer cement board (1/2" minimum) must be used between viewing area opening and 12" [305mm] on the top the full width of the fireplace. 7" [178mm] minimum above the top of the fireplace is recommended for ease of attachment.
- C. Combustible material may cover the non-combustible area mentioned in B.
- D. Combustible finishing materials allowed.
- E. Combustible mantel may be placed above the top of the glass viewing area.
- F. Combustible hearth may be placed below the bottom of the glass viewing area.
- G. Flat covers will cover the components access. Gas and electric inlets are located behind this panel. There are four access panel options all located on the pilot side of the fireplace; front (shown above), side, back and inside behind the glass.
Please take consideration of which option will be used to access the components during planning.
- I. Combustible framing and finishing materials allowed.

Stellar Hearth Products

A brand of Big Woods Hearth Products, Inc.

16873 Fish Point Rd SE

Prior Lake, MN 55372

952-224-4072

info@stellarhearth.com

www.Stellarhearth.com

Stellar Hearth Products
Custom Fireplace Design & Manufacturing

*Our mission is to combine bold creativity
and advanced technologies collaboratively with our customer's vision, resulting
in compelling fire features for interior and exterior hearth projects.*