

GALAXY SERIES
Luxury Gas Fireplace Collection

Stellar
hearth products™

Stellar
hearth products™

Galaxy Series

Luxury Gas Fireplace Collection

Single-Sided, See-Through, Pier, Bay
Left & Right Corners and Four-Sided



The Galaxy Series™

Beautiful fires demand to be seen and Stellar's Galaxy Series™ provides taller viewing areas and more BTU's of flame than any other in its class.

Standard Features:

- Standard black interior
- Beautiful ribbon burn
- LED ember lights perfectly accents the fire and fills the firebox with any color of light you'd like (remote control standard)
- Crystal glass media standard
- Commercial grade components
- Co-linear direct vent system with choice of standard powervent system or in-line powervent system
- Wall switch - easy access to turn on/off
- Mechanical intake damper keeps the cold air out
- Insulated firebox standard

Options:

- Additional colors of glass media
- Variety of natural stone choices
- Mirrored firebox panels
- Driftwood log set
- Envision interior panels
- Comfort Choice zone heating kit
- Universal intake and exhaust louvers

Front Cover:
Galaxy Pier Fireplace
Model 6-PR-3-GL

Shown Here:
Galaxy Single-Sided Fireplace
Model 6-SS-2-GL

Safe-T-Touch™ Glass

Our proprietary glass cooling system keeps the heat away from the outer glass surface to ensure a safe experience in any situation

You get the cleanest look possible and no obstructions - just a clear view of the beautiful fire

7 Designs - 4 Widths - 2 Heights

It's easy to be taken in by the beautiful fire of a Galaxy fireplace at first glance, so we've designed the whole series around that to ensure that the beautiful fire remains the focal point no matter where you are in the room.

Whether you're adding a grand single-sided fireplace to your room or using a multi-sided fireplace as a divider to help break up an open concept layout, you have seven different design configurations, in four different widths and two different heights, to help find the perfect fireplace for the space.

4 different lengths: 4', 5', 6' & 7'

2 different heights: 2' & 3'

7 different designs: Single-Sided, Bay, See-Through, Pier, Four-Sided and Left & Right Corners



Single-Sided - 7' x 2' view



Pier - 4' x 2' view



Right Corner - 5' x 2' view



Bay - 5' x 3' view



Left Corner - 5' x 2' view



Four-Sided - 6' x 2' view



See-Through - 6' x 3' view



Standard LED Lights Glass Media & Natural Stone Options

Our Flames Aren't The Only Dazzling Sight In The Firebox

Each Galaxy Series fireplace comes standard with an LED-lighted media bed. This includes a remote control to set the lights to a myriad of different hues and patterns to match whatever mood or color scheme you'd like. It can be changed at any time, easily - with a touch of a button.

The Galaxy fireplaces come standard with the Crystal glass media. The clear, reflective glass pieces have various sizes and are the perfect material for the LED lights to shine through and accent the beautiful fire.

If you'd like a more earthy look, there are natural stone options available in a variety of colors. The Natural Stone pairs perfectly with the optional driftwood log set and, although the LED Lights do not shine through the bottom as strong, you will enjoy a subtle hint of colors.

Additional color options of the glass media and natural stone ordered separately

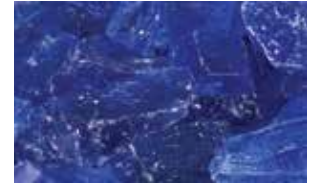
Glass Media

The glass media ranges from 1/2" - 3/4" in size



Red

Caribbean



Crystal

Copper

Seabreeze



Black

Green

Dark Blue

Natural Stone

The natural stone ranges from 1/2" - 1" pebbles in size. High polished black is also available in a larger 1" - 2" pebble size



Polished Gold

Polished Striped



High Polished Black 1 (1/2" - 1")

Polished Mixed

Polished White



High Polished Black 2 (1" - 2")

Polished Red

Lava Stone

Driftwood Log Set

Bring A Little Touch Of The Outside Inside



7-SS-2-GL shown with optional Envision printed mirrored panels, driftwood and natural stone

Driftwood Log Set Option

The ribbon burner of the Galaxy fireplace may seem more contemporary at first thought, but when you add in the natural stone and a driftwood log set, you get the perfect blend of traditional and modern styles and a true classic, timeless look.

Shown above with the *Envision Interior Panels*, it makes you feel like you are looking directly through the fireplace to a beautiful seascape sunset right outside your back door. The slight mirrored quality to the glass creates reflections that look different from every angle of the room.



Beautiful Attention To Detail

Each log set has between 17-31 individual logs in a large variety of sizes that have been molded using real pieces of natural driftwood.



Multiply the Effect Multiply the Effect Multiply the Effect

Optional Mirrored Firebox Panels

Create Beautiful Reflections That Look Different From Every Angle

Putting mirrors inside a firebox may seem like an unexpected choice, but it truly can take the experience of a beautiful fire to a whole new level.

The mirrors reflect the flames, driftwood, media and LED lights over and over and over again, creating a look that is different from wherever you are within the room.

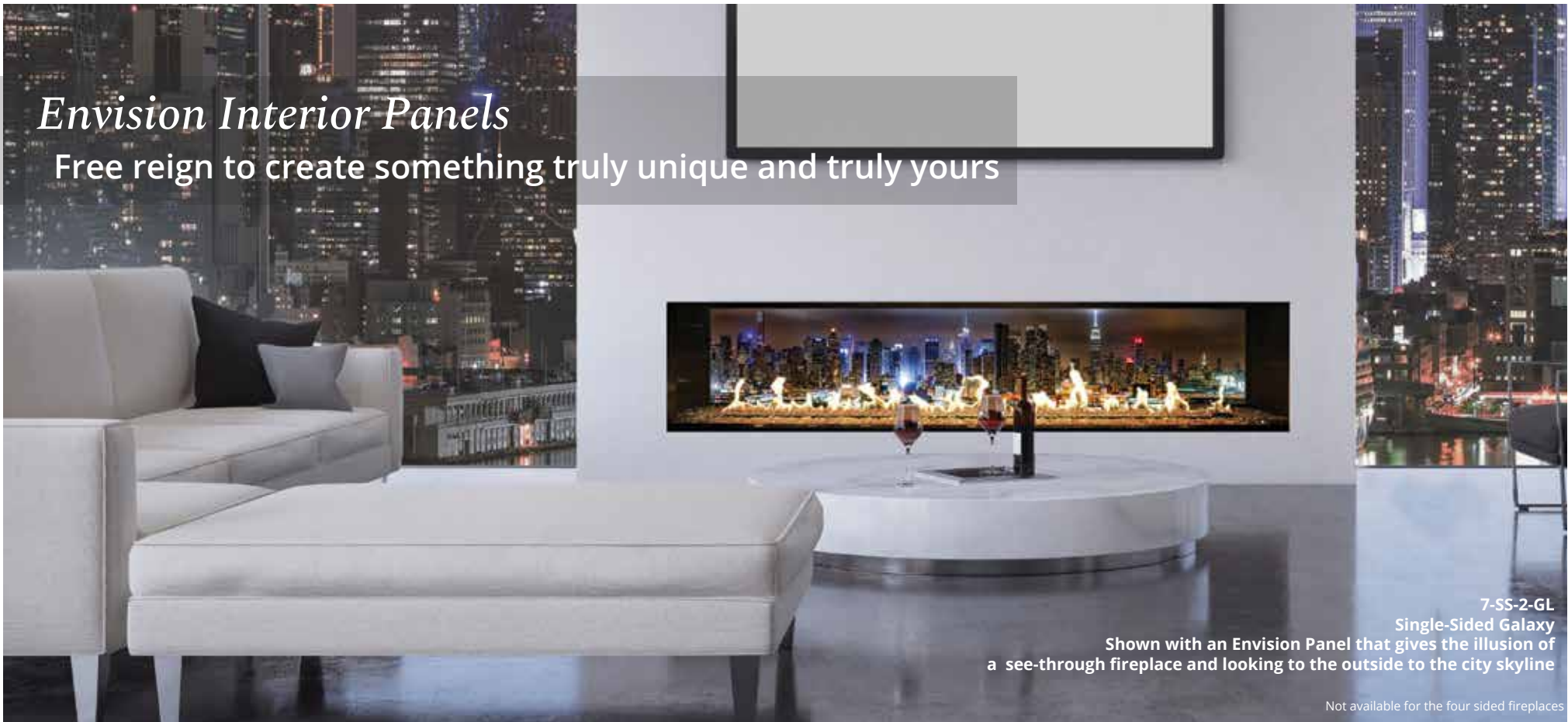
You can control the amount of reflections depending on which side of the mirrors you use. There is the more subtle reflective side, or the opposite side which has a high-sheen to it (see photo to the left) where you get endless iterations and a firebox full of flames.



Not available for the four sided fireplaces

Envision Interior Panels

Free reign to create something truly unique and truly yours



7-SS-2-GL
Single-Sided Galaxy

Shown with an Envision Panel that gives the illusion of a see-through fireplace and looking to the outside to the city skyline

Not available for the four sided fireplaces



Envision Interior Panels Option

Taking customization one step further, you can now put virtually anything you want inside your fireplace by printing the image of your choice onto interior glass panels.

The design potential is limitless to create a one-of-a-kind interior using artistic scenes, landscapes, business names or logo's and more. It's also a great way to match the exterior finishing materials such as brick, marble, tile or stone and have a seamless transition to the interior firebox with quick and easy installation.

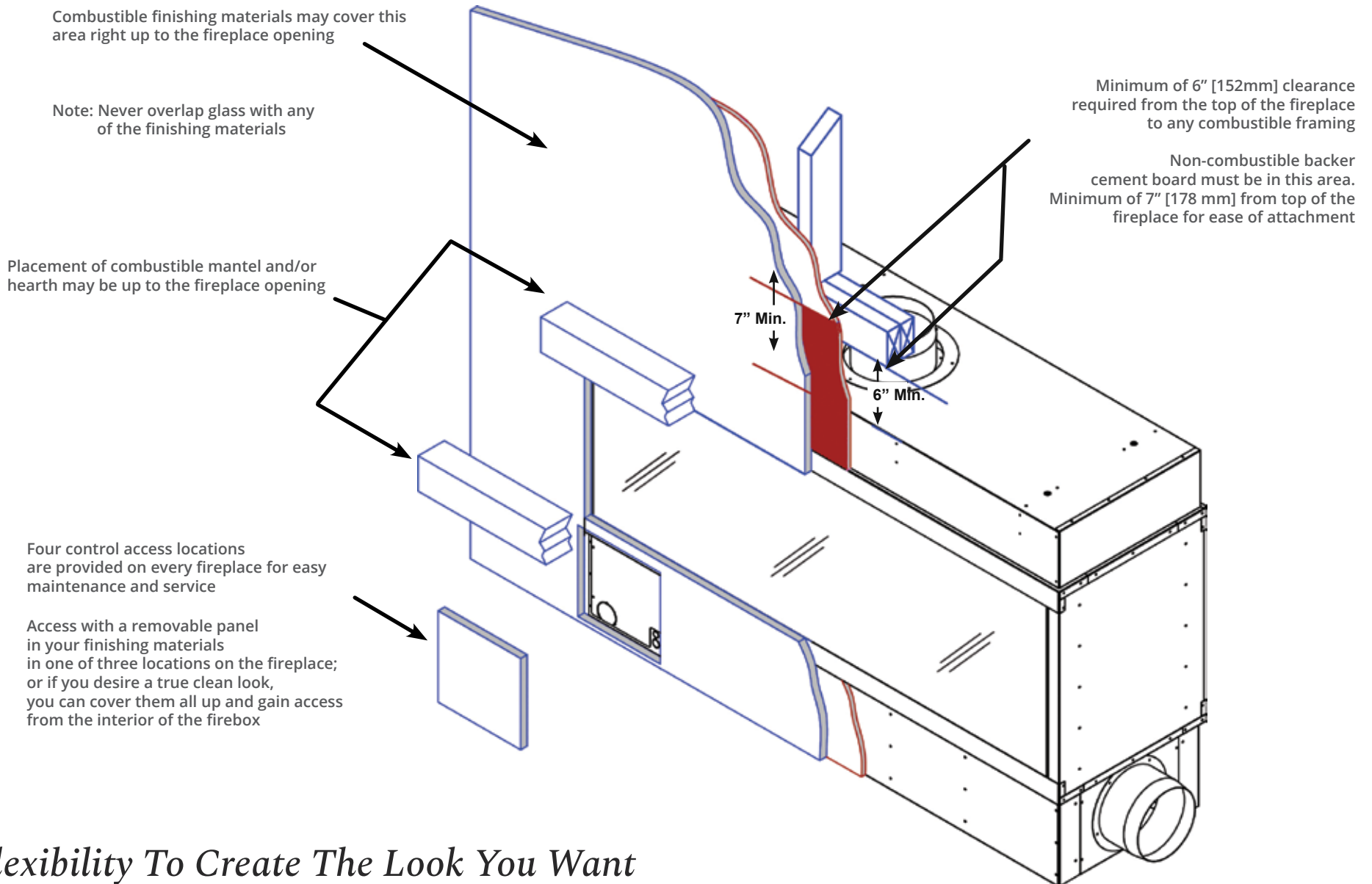
Any high-definition image can be used.

All we need is an image (300 DPI or higher) and we can customize the interior of your fireplace with whatever look you desire.

Create eye-catching interiors that can be easily changed out if you decide you'd like to refresh the look at a later date.



Finishing Guidelines



Flexibility To Create The Look You Want

How you finish the area off around the fireplace will increase its impact on the space and reflect who you are. Whether your taste is more subtle and you prefer the simplistic details of a clean modern look, or you appreciate the juxtaposition of combining natural with industrial materials, or you like to push the envelope using unexpected artistic twists, the Galaxy Series was designed with minimal clearances to combustibles so you can get as creative as you'd like.

Powervent Technology

Each fireplace in the Galaxy Series uses the a powervent exhaust system, which allows for great installation flexibility as to where you can install the fireplace within the structure.

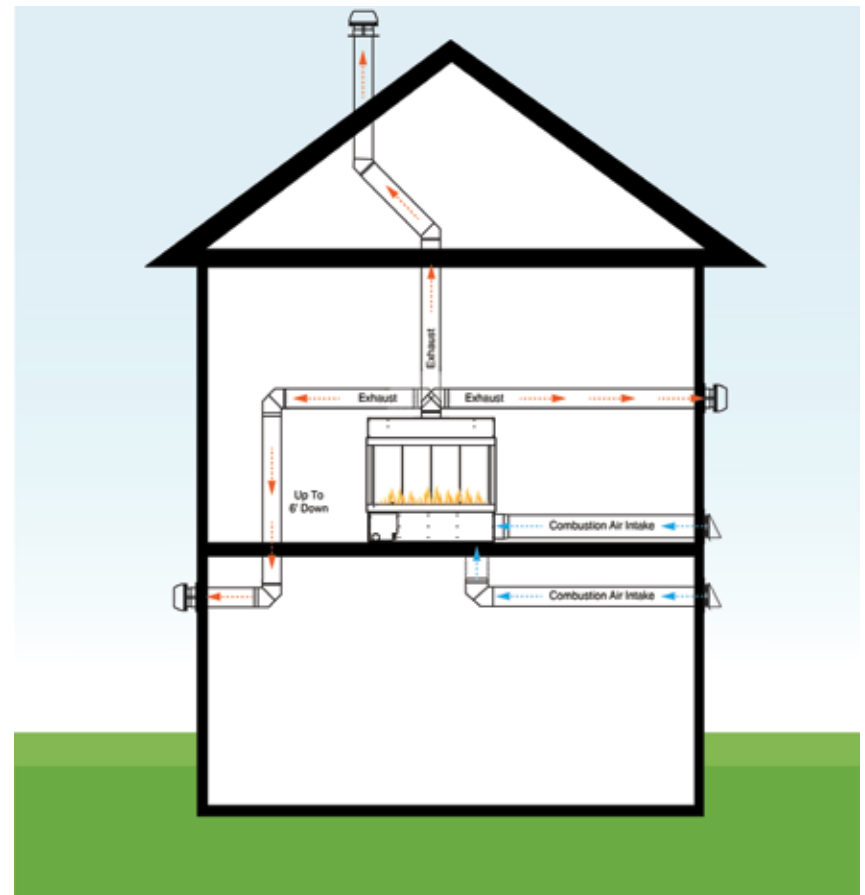
Each fireplace will vent off the top of the fireplace. Whether the desired cap location is a vertical or side wall application, you have up to 110 feet and 11 elbows to plan your vent run with, allowing the fireplace to be right where you want it.

Both regular powervent or in-line options available.

Flexible Vent Runs

- Up to 110 feet
- Up to 11 elbows
- Up to 6' down
- For vent runs over 50' and/or 5+ elbows consult with Stellar Hearth directly

Model	Flue	Outside Air
4'	8"	10"
5'	8"	10"
6'	10"	10"
7'	10"	10"



Universal Intake & Exhaust Louver

The sleek design of the universal louver is a great option to use for the termination cap for both the exhaust when using an in-line powervent or for the outside air intake.



Universal Intake & Exhaust Louver

Features:

Size: 21-1/4" H X 21-1/4" W

- Flush Mount
- Properly sized to use either an 8" or 10" collar
- UL Certified
- Stainless Steel / Rain resistant
- Fully insulated
- Can be painted

Comfort Choice™ Zone-Heating Option

Redirect heat from the top of the firebox back into the room with the Comfort Choice™ Zone-Heating Option.

Most effective when used with Single-sided or See-Through fireplaces
Not available to use with Four-Sided Fireplace



Comfort Choice™

Each Kit Contains:

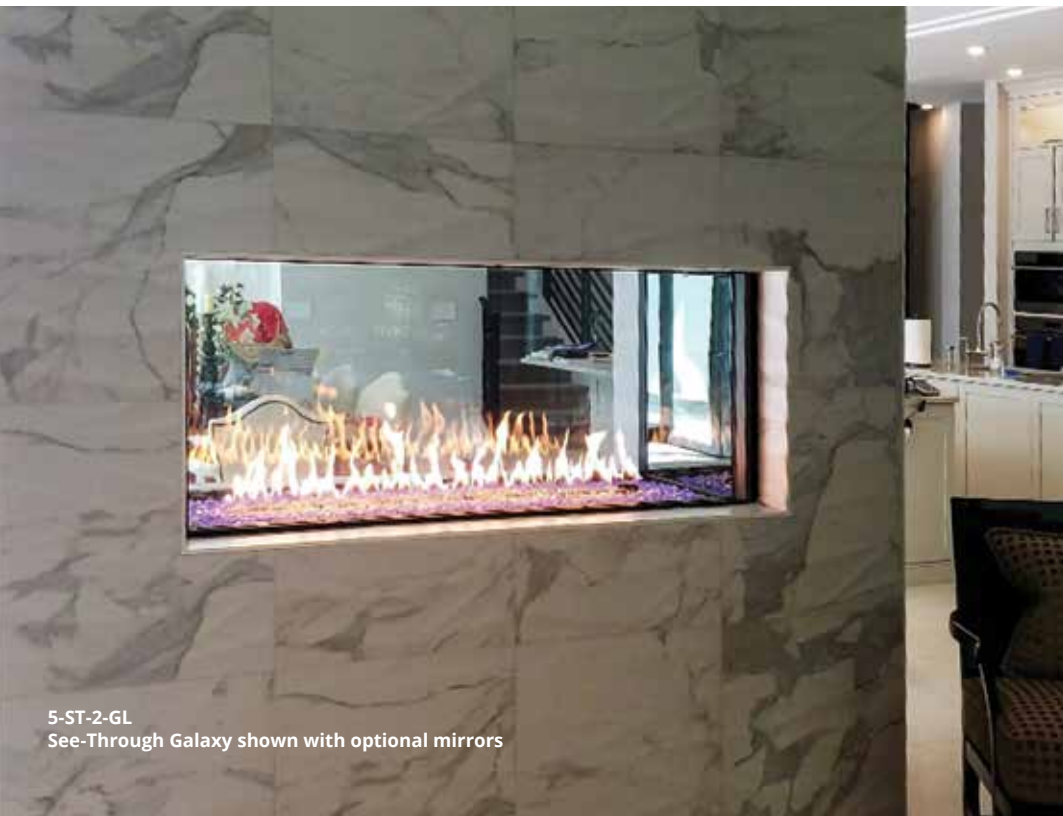
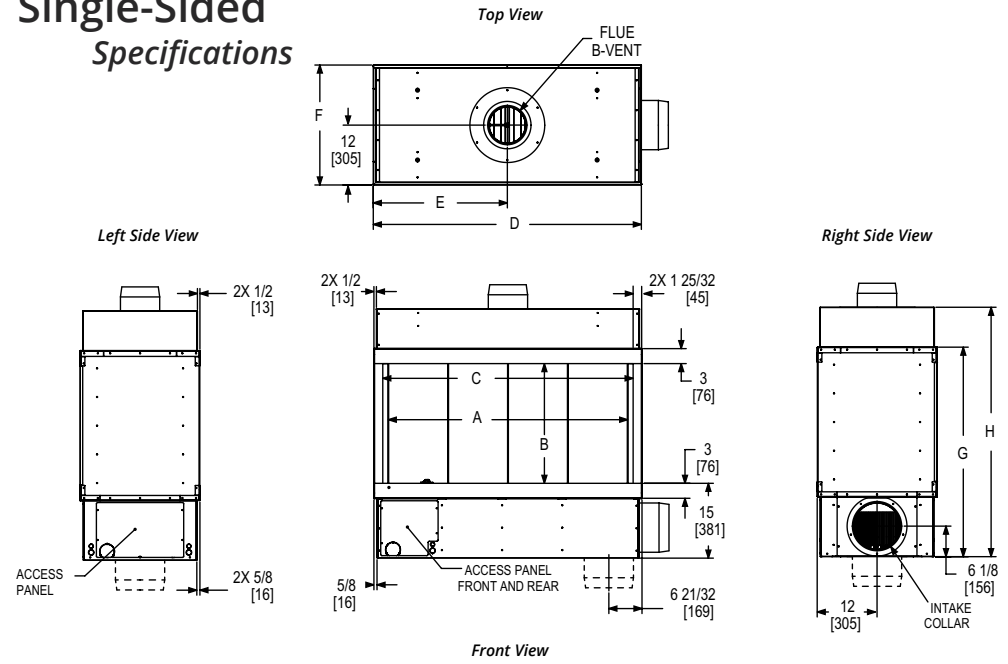
- 25' of flex pipe
- two fans
- two registers

Size: 12-1/2" W x 7-3/4" H
Color: White



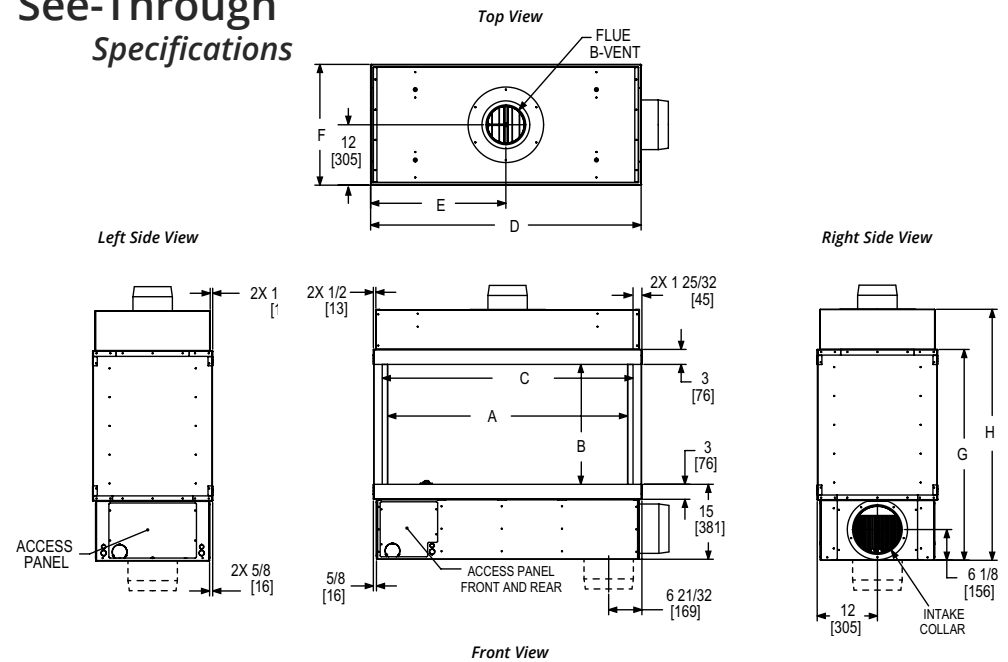
5-SS-2-GL
Single-Sided Galaxy shown with optional mirrors

Single-Sided Specifications



5-ST-2-GL
See-Through Galaxy shown with optional mirrors

See-Through Specifications



SINGLE SIDED - SPECIFICATIONS						SINGLE SIDED - FIREPLACE DIMENSIONS								MIN FRAMING DIMENSIONS		
Model #	BTU'S	B-VENT	OUTSIDE AIR	REG PV	IN-LINE PV	A INNER GLASS	B VIEWING HEIGHT	C VIEWING WIDTH	D FIREBOX WIDTH	E CENTER OF VENT	F FIREBOX DEPTH	G HEIGHT TO TRIM TOP	H TOTAL FIREBOX HEIGHT	WIDTH	HEIGHT	DEPTH
4-SS-2-GL	60,000	8"	10"	RSO12	RSIF160	48 [1,219]	24 [610]	50-3/16 [1,275]	53-3/4 [1,365]	26-7/8 [683]	24-1/32 [610]	42 [1,067]	50 [1,270]	55-3/4 [1,416]	56 [1,422]	25-1/32 [636]
5-SS-2-GL	80,000	8"	10"	RSO12	RSIF160	60 [1,524]	24 [610]	62-3/16 [1,580]	65-3/4 [1,670]	32-7/8 [835]	24-1/32 [610]	42 [1,067]	50 [1,270]	67-3/4 [1,721]	56 [1,422]	25-1/32 [636]
6-SS-2-GL	100,000	10"	10"	RSO14	RSIF180	72 [1,829]	24 [610]	74-3/16 [1,884]	77-3/4 [1,975]	38-7/8 [987]	24-1/32 [610]	42 [1,067]	50 [1,270]	79-3/4 [2,026]	56 [1,422]	25-1/32 [636]
7-SS-2-GL	120,000	10"	10"	RSO14	RSIF180	84 [2,134]	24 [610]	86-3/16 [2,189]	89-3/4 [2,280]	44-7/8 [1,140]	24-1/32 [610]	42 [1,067]	50 [1,270]	91-3/4 [2,330]	56 [1,422]	25-1/32 [636]
4-SS-3-GL	60,000	8"	10"	RSO12	RSIF160	48 [1,219]	36 [914]	50-3/16 [1,275]	53-3/4 [1,365]	26-7/8 [683]	24-1/32 [610]	54 [1,372]	62 [1,575]	55-3/4 [1,416]	68 [1,727]	25-1/32 [636]
5-SS-3-GL	80,000	8"	10"	RSO12	RSIF160	60 [1,524]	36 [914]	62-3/16 [1,580]	65-3/4 [1,670]	32-7/8 [835]	24-1/32 [610]	54 [1,372]	62 [1,575]	67-3/4 [1,721]	68 [1,727]	25-1/32 [636]
6-SS-3-GL	100,000	10"	10"	RSO14	RSIF180	72 [1,829]	36 [914]	74-3/16 [1,884]	77-3/4 [1,975]	38-7/8 [987]	24-1/32 [610]	54 [1,372]	62 [1,575]	79-3/4 [2,026]	68 [1,727]	25-1/32 [636]
7-SS-3-GL	120,000	10"	10"	RSO14	RSIF180	84 [2,134]	36 [914]	86-3/16 [2,189]	89-3/4 [2,280]	44-7/8 [1,140]	24-1/32 [610]	54 [1,372]	62 [1,575]	91-3/4 [2,330]	68 [1,727]	25-1/32 [636]

SEE THROUGH - SPECIFICATIONS						SEE THROUGH - DIMENSIONS								MINIMUM FRAMING DIMENSIONS		
Model #	BTU'S	B-VENT	OUTSIDE AIR	REG PV	IN-LINE PV	A INNER GLASS	B VIEWING HEIGHT	C VIEWING WIDTH	D FIREBOX WIDTH	E CENTER OF VENT	F FIREBOX DEPTH	G HEIGHT TO TRIM TOP	H TOTAL FIREBOX HEIGHT	WIDTH	HEIGHT	DEPTH
4-ST-2-GL	60,000	8"	10"	RSO12	RSIF160	48 [1,219]	24 [610]	50-3/16 [1,275]	53-3/4 [1,365]	26-7/8 [683]	24 [610]	42 [1,067]	50 [1,270]	55-3/4 [1,416]	56 [1,422]	23 [584]
5-ST-2-GL	80,000	8"	10"	RSO12	RSIF160	60 [1,524]	24 [610]	62-3/16 [1,580]	65-3/4 [1,670]	32-7/8 [835]	24 [610]	42 [1,067]	50 [1,270]	67-3/4 [1,721]	56 [1,422]	23 [584]
6-ST-2-GL	100,000	10"	10"	RSO14	RSIF180	72 [1,829]	24 [610]	74-3/16 [1,884]	77-3/4 [1,975]	38-7/8 [987]	24 [610]	42 [1,067]	50 [1,270]	79-3/4 [2,026]	56 [1,422]	23 [584]
7-ST-2-GL	120,000	10"	10"	RSO14	RSIF180	84 [2,134]	24 [610]	86-3/16 [2,189]	89-3/4 [2,280]	44-7/8 [1,140]	24 [610]	42 [1,067]	50 [1,270]	91-3/4 [2,330]	56 [1,422]	23 [584]
4-ST-3-GL	60,000	8"	10"	RSO12	RSIF160	48 [1,219]	36 [914]	50-3/16 [1,275]	53-3/4 [1,365]	26-7/8 [683]	24 [610]	54 [1,372]	62 [1,575]	55-3/4 [1,416]	68 [1,727]	23 [584]
5-ST-3-GL	80,000	8"	10"	RSO12	RSIF160	60 [1,524]	36 [914]	62-3/16 [1,580]	65-3/4 [1,670]	32-7/8 [835]	24 [610]	54 [1,372]	62 [1,575]	67-3/4 [1,721]	68 [1,727]	23 [584]
6-ST-3-GL	100,000	10"	10"	RSO14	RSIF180	72 [1,829]	36 [914]	74-3/16 [1,884]	77-3/4 [1,975]	38-7/8 [987]	24 [610]	54 [1,372]	62 [1,575]	79-3/4 [2,026]	68 [1,727]	23 [584]
7-ST-3-GL	120,000	10"	10"	RSO14	RSIF180	84 [2,134]	36 [914]	86-3/16 [2,189]	89-3/4 [2,280]	44-7/8 [1,140]	24 [610]	54 [1,372]	62 [1,575]	91-3/4 [2,330]	68 [1,727]	23 [584]

- If using an in-line powervent, use a -IN after the model number at time of order
- Fireplaces come standard with Crystal Glass Media. Optional colors and Natural Stone are available at an additional cost
- It is important to refer to the installation and operating manual PRIOR to installation to verify all measurements and clearances

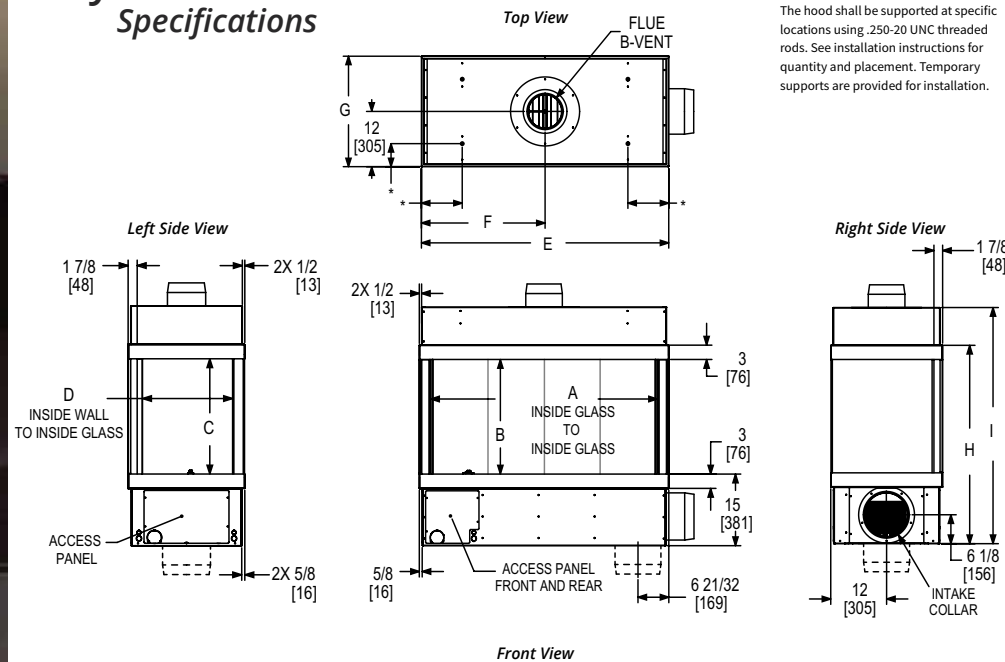
- Dimensions are in inches and [millimeters]
- Air intake collar may be rotated to vent off the side, or from the bottom of the fireplace
- Use UL approved B-Vent pipe and follow all manufacturer installation guidelines.
- Vent run approved up to 110' with quantity of 11, 90 degree elbows. 1" clearance to B-Vent must be maintained

IMPORTANT: MINIMUM FRAMING DIMENSIONS ASSUMING 1/2" DRYWALL AND NON-COMBUSTIBLE BOARD USED

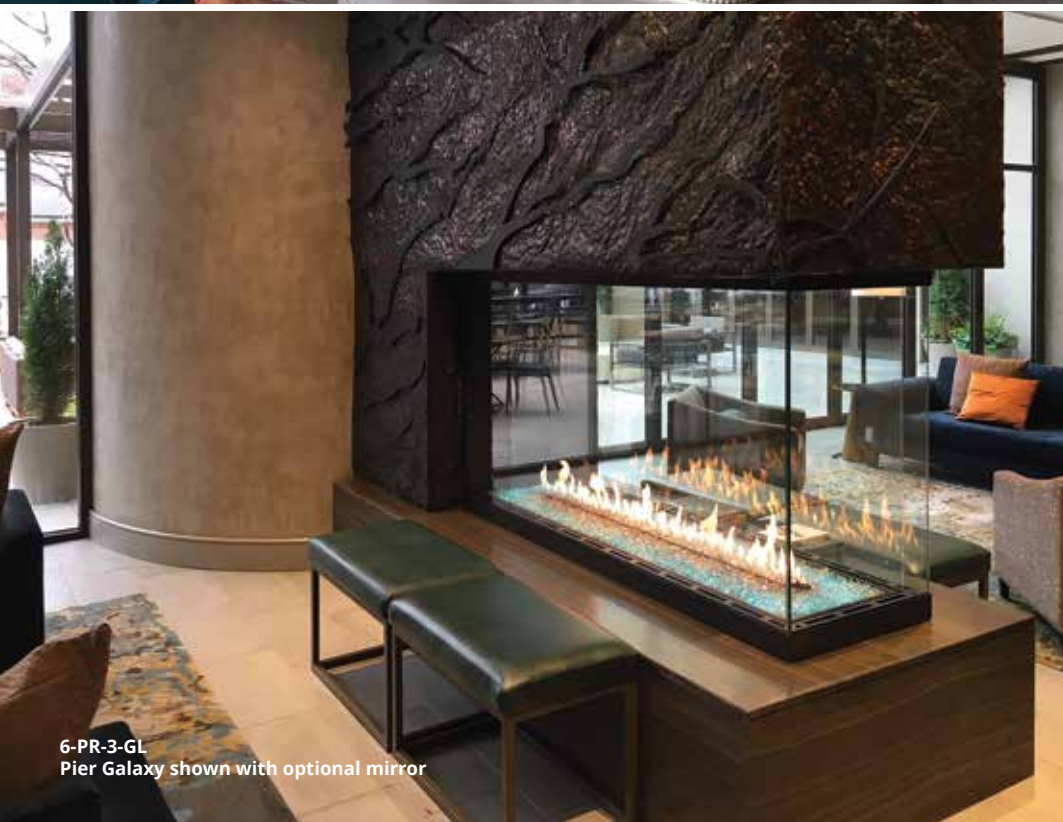


4-BY-2-GL
Bay Galaxy shown with standard black interior

Bay Specifications

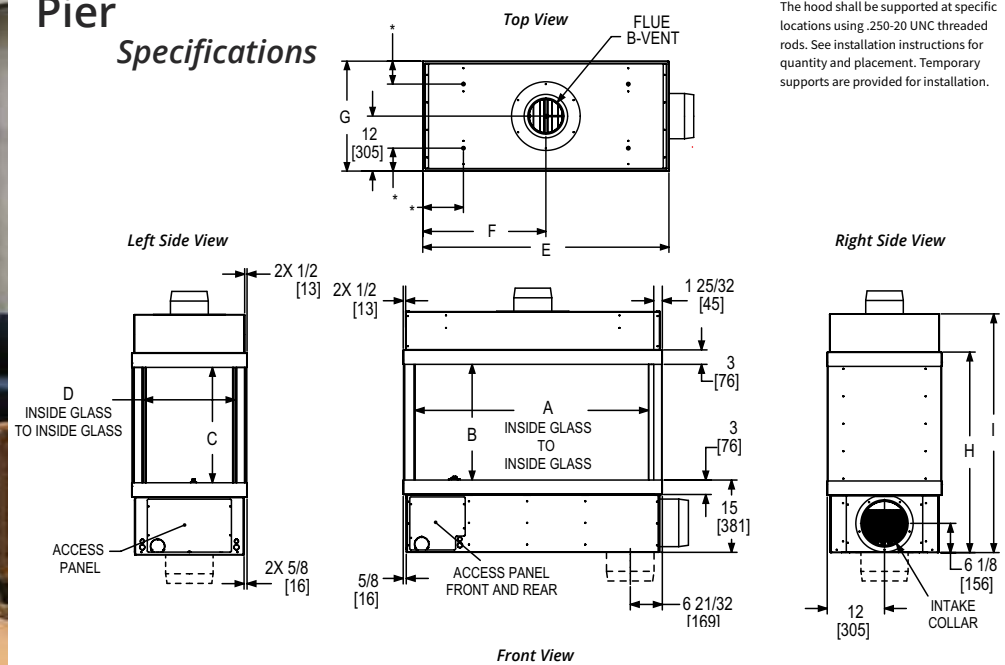


NOTE: The hood shall be supported at specific locations using .250-20 UNC threaded rods. See installation instructions for quantity and placement. Temporary supports are provided for installation.



6-PR-3-GL
Pier Galaxy shown with optional mirror

Pier Specifications



NOTE: The hood shall be supported at specific locations using .250-20 UNC threaded rods. See installation instructions for quantity and placement. Temporary supports are provided for installation.

BAY - SPECIFICATIONS						BAY - DIMENSIONS									MIN FRAMING DIMENSIONS		
Model #	BTU'S	B-VENT	OUTSIDE AIR	REG PV	IN-LINE PV	A INNER GLASS	B VIEWING HEIGHT	C VIEWING HEIGHT	D INNER GLASS	E FIREBOX WIDTH	F CENTER OF VENT	G FIREBOX DEPTH	H HEIGHT TO TRIM TOP	I TOTAL FIREBOX HEIGHT	WIDTH	HEIGHT	DEPTH
4-BY-2-GL	60,000	8"	10"	RSO12	RSIF160	48 25/32 [1,239]	24 [610]	24 [610]	18-9/16 [471]	53-3/4 [1,365]	26-7/8 [683]	24 [610]	42 [1,067]	50 [1,270]	52 3/4 [1,340]	56 [1,422]	25 [635]
5-BY-2-GL	80,000	8"	10"	RSO12	RSIF160	60 25/32 [1,544]	24 [610]	24 [610]	18-9/16 [471]	65-3/4 [1,670]	32-7/8 [835]	24 [610]	42 [1,067]	50 [1,270]	64-3/4 [1,645]	56 [1,422]	25 [635]
6-BY-2-GL	100,000	10"	10"	RSO14	RSIF180	72 25/32 [1,849]	24 [610]	24 [610]	18-9/16 [471]	77-3/4 [1,975]	38-7/8 [987]	24 [610]	42 [1,067]	50 [1,270]	76-3/4 [1,949]	56 [1,422]	25 [635]
7-BY-2-GL	120,000	10"	10"	RSO14	RSIF180	84 25/32 [2,153]	24 [610]	24 [610]	18-9/16 [471]	89-3/4 [2,280]	44-7/8 [1,140]	24 [610]	42 [1,067]	50 [1,270]	88-3/4 [2,254]	56 [1,422]	25 [635]
4-BY-3-GL	60,000	8"	10"	RSO12	RSIF160	48 25/32 [1,239]	36 [914]	36 [914]	18-9/16 [471]	53-3/4 [1,365]	26-7/8 [683]	24 [610]	54 [1,372]	62 [1,575]	52 3/4 [1,340]	68 [1,727]	25 [635]
5-BY-3-GL	80,000	8"	10"	RSO12	RSIF160	60 25/32 [1,544]	36 [914]	36 [914]	18-9/16 [471]	65-3/4 [1,670]	32-7/8 [835]	24 [610]	54 [1,372]	62 [1,575]	64-3/4 [1,645]	68 [1,727]	25 [635]
6-BY-3-GL	100,000	10"	10"	RSO14	RSIF180	72 25/32 [1,849]	36 [914]	36 [914]	18-9/16 [471]	77-3/4 [1,975]	38-7/8 [987]	24 [610]	54 [1,372]	62 [1,575]	76-3/4 [1,949]	68 [1,727]	25 [635]
7-BY-3-GL	120,000	10"	10"	RSO14	RSIF180	84 25/32 [2,153]	36 [914]	36 [914]	18-9/16 [471]	89-3/4 [2,280]	44-7/8 [1,140]	24 [610]	54 [1,372]	62 [1,575]	88-3/4 [2,254]	68 [1,727]	25 [635]

PIER - SPECIFICATIONS						PIER - DIMENSIONS									MIN FRAMING DIMENSIONS		
Model #	BTU'S	B-VENT	OUTSIDE AIR	REG PV	IN-LINE PV	A INNER GLASS	B VIEWING HEIGHT	C VIEWING HEIGHT	D INNER GLASS	E FIREBOX WIDTH	F CENTER OF VENT	G FIREBOX DEPTH	H HEIGHT TO TRIM TOP	I TOTAL FIREBOX HEIGHT	WIDTH	HEIGHT	DEPTH
4-PR-2-GL	60,000	8"	10"	RSO12	RSIF160	48 13/32 [1,230]	24 [610]	24 [610]	19 [483]	53-3/4 [1,365]	26-7/8 [683]	24 [610]	42 [1,067]	50 [1,270]	54-3/4 [1,391]	56 [1,422]	23 [584]
5-PR-2-GL	80,000	8"	10"	RSO12	RSIF160	60 13/32 [1,534]	24 [610]	24 [610]	19 [483]	65-3/4 [1,670]	32-7/8 [835]	24 [610]	42 [1,067]	50 [1,270]	66-3/4 [1,695]	56 [1,422]	23 [584]
6-PR-2-GL	100,000	10"	10"	RSO14	RSIF180	72 13/32 [1,839]	24 [610]	24 [610]	19 [483]	77-3/4 [1,975]	38-7/8 [987]	24 [610]	42 [1,067]	50 [1,270]	78-3/4 [2,000]	56 [1,422]	23 [584]
7-PR-2-GL	120,000	10"	10"	RSO14	RSIF180	84 13/32 [2,144]	24 [610]	24 [610]	19 [483]	89-3/4 [2,280]	44-7/8 [1,140]	24 [610]	42 [1,067]	50 [1,270]	90-3/4 [2,305]	56 [1,422]	23 [584]
4-PR-3-GL	60,000	8"	10"	RSO12	RSIF160	48 13/32 [1,230]	36 [914]	36 [914]	19 [483]	53-3/4 [1,365]	26-7/8 [683]	24 [610]	54 [1,372]	62 [1,575]	54-3/4 [1,391]	68 [1,727]	23 [584]
5-PR-3-GL	80,000	8"	10"	RSO12	RSIF160	60 13/32 [1,534]	36 [914]	36 [914]	19 [483]	65-3/4 [1,670]	32-7/8 [835]	24 [610]	54 [1,372]	62 [1,575]	66-3/4 [1,695]	68 [1,727]	23 [584]
6-PR-3-GL	100,000	10"	10"	RSO14	RSIF180	72 13/32 [1,839]	36 [914]	36 [914]	19 [483]	77-3/4 [1,975]	38-7/8 [987]	24 [610]	54 [1,372]	62 [1,575]	78-3/4 [2,000]	68 [1,727]	23 [584]
7-PR-3-GL	120,000	10"	10"	RSO14	RSIF180	84 13/32 [2,144]	36 [914]	36 [914]	19 [483]	89-3/4 [2,280]	44-7/8 [1,140]	24 [610]	54 [1,372]	62 [1,575]	90-3/4 [2,305]	68 [1,727]	23 [584]

- If using an in-line powervent, use a -IN after the model number at time of order
- Fireplaces come standard with Crystal Glass Media. Optional colors and Natural Stone are available at an additional cost
- It is important to refer to the installation and operating manual PRIOR to installation to verify all measurements and clearances

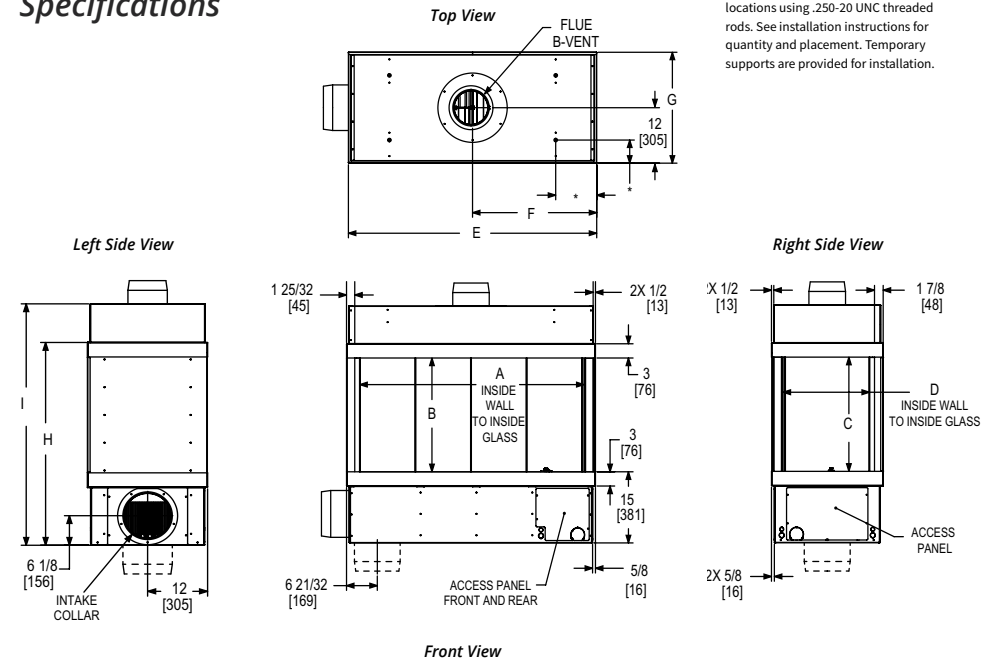
- Dimensions are in inches and [millimeters]
- Air intake collar may be rotated to vent off the side, or from the bottom of the fireplace
- Use UL approved B-Vent pipe and follow all manufacturer installation guidelines
- Vent run approved up to 110' with quantity of 11, 90 degree elbows. 1" clearance to B-Vent must be maintained

IMPORTANT: MINIMUM FRAMING DIMENSIONS ASSUMING 1/2" DRYWALL AND NON-COMBUSTIBLE BOARD USED



7-RC-2-GL
Right Corner Galaxy

Left & Right Corner Specifications



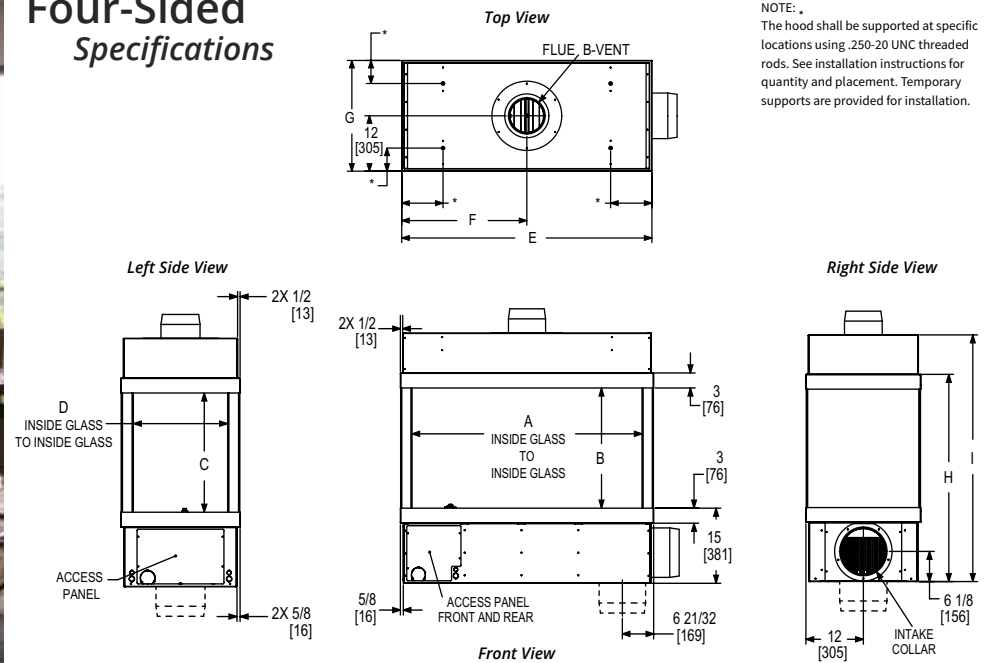
NOTE:
The hood shall be supported at specific locations using .250-20 UNC threaded rods. See installation instructions for quantity and placement. Temporary supports are provided for installation.

Note: Right Corner Schematics Shown



7-4S-2-GL
Four-Sided Galaxy

Four-Sided Specifications



NOTE:
The hood shall be supported at specific locations using .250-20 UNC threaded rods. See installation instructions for quantity and placement. Temporary supports are provided for installation.

For more Left & Right Corner and Four-Sided images, visit at www.stellarhearth.com

LEFT & RIGHT CORNER - SPECIFICATIONS						LEFT & RIGHT CORNER - DIMENSIONS									MIN FRAMING DIMENSIONS		
Model #	BTU'S	B-VENT	OUTSIDE AIR	REG PV	IN-LINE PV	A INNER GLASS	B VIEWING HEIGHT	C VIEWING HEIGHT	D INNER GLASS	E FIREBOX WIDTH	F CENTER OF VENT	G FIREBOX DEPTH	H HEIGHT TO TRIM TOP	I TOTAL FIREBOX HEIGHT	WIDTH	HEIGHT	DEPTH
4-LC-2-GL/4-RC-2-GL	60,000	8"	10"	RSO12	RSIF160	48 13/32 [1,230]	24 [610]	24 [610]	18-9/16 [471]	53-3/4 [1,365]	26-7/8 [683]	24 [610]	42 [1,067]	50 [1,270]	54-3/4 [1,391]	56 [1,422]	25 [636]
5-LC-2-GL/5-RC-2-GL	80,000	8"	10"	RSO12	RSIF160	60 13/32 [1,534]	24 [610]	24 [610]	18-9/16 [471]	65-3/4 [1,670]	32-7/8 [835]	24 [610]	42 [1,067]	50 [1,270]	66-3/4 [1,695]	56 [1,422]	25 [636]
6-LC-2-GL/6-RC-2-GL	100,000	10"	10"	RSO14	RSIF180	72 13/32 [1,839]	24 [610]	24 [610]	18-9/16 [471]	77-3/4 [1,975]	38-7/8 [987]	24 [610]	42 [1,067]	50 [1,270]	78-3/4 [2,000]	56 [1,422]	25 [636]
7-LC-2-GL/7-RC-2-GL	120,000	10"	10"	RSO14	RSIF180	84 13/32 [2,144]	24 [610]	24 [610]	18-9/16 [471]	89-3/4 [2,280]	44-7/8 [1,140]	24 [610]	42 [1,067]	50 [1,270]	90-3/4 [2,305]	56 [1,422]	25 [636]
4-LC-3-GL/4-RC-3-GL	60,000	8"	10"	RSO12	RSIF160	48 13/32 [1,230]	36 [914]	36 [914]	18-9/16 [471]	53-3/4 [1,365]	26-7/8 [683]	24 [610]	54 [1,372]	62 [1,575]	54-3/4 [1,391]	68 [1,727]	25 [636]
5-LC-3-GL/5-RC-3-GL	80,000	8"	10"	RSO12	RSIF160	60 13/32 [1,534]	36 [914]	36 [914]	18-9/16 [471]	65-3/4 [1,670]	32-7/8 [835]	24 [610]	54 [1,372]	62 [1,575]	66-3/4 [1,695]	68 [1,727]	25 [636]
6-LC-3-GL/6-RC-3-GL	100,000	10"	10"	RSO14	RSIF180	72 13/32 [1,839]	36 [914]	36 [914]	18-9/16 [471]	77-3/4 [1,975]	38-7/8 [987]	24 [610]	54 [1,372]	62 [1,575]	78-3/4 [2,000]	68 [1,727]	25 [636]
7-LC-3-GL/7-RC-3-GL	120,000	10"	10"	RSO14	RSIF180	84 13/32 [2,144]	36 [914]	36 [914]	18-9/16 [471]	89-3/4 [2,280]	44-7/8 [1,140]	24 [610]	54 [1,372]	62 [1,575]	90-3/4 [2,305]	68 [1,727]	25 [636]

FOUR SIDED - SPECIFICATIONS						FOUR SIDED - DIMENSIONS									MIN FRAMING DIMENSIONS		
Model #	BTU'S	B-VENT	OUTSIDE AIR	REG PV	IN-LINE PV	A INNER GLASS	B VIEWING HEIGHT	C VIEWING HEIGHT	D INNER GLASS	E FIREBOX WIDTH	F CENTER OF VENT	G FIREBOX DEPTH	H HEIGHT TO TRIM TOP	I TOTAL FIREBOX HEIGHT	WIDTH	HEIGHT	DEPTH
4-4S-2-GL	60,000	8"	10"	RSO12	RSIF160	48 25/32 [1,239]	24 [610]	24 [610]	19 [483]	53-3/4 [1,365]	26-7/8 [683]	24 [610]	42 [1,067]	50 [1,270]	52-3/4 [1,340]	56 [1,422]	23 [584]
5-4S-2-GL	80,000	8"	10"	RSO12	RSIF160	60 25/32 [1,544]	24 [610]	24 [610]	19 [483]	65-3/4 [1,670]	32-7/8 [835]	24 [610]	42 [1,067]	50 [1,270]	64-3/4 [1,645]	56 [1,422]	23 [584]
6-4S-2-GL	100,000	10"	10"	RSO14	RSIF180	72 25/32 [1,849]	24 [610]	24 [610]	19 [483]	77-3/4 [1,975]	38-7/8 [987]	24 [610]	42 [1,067]	50 [1,270]	76-3/4 [1,949]	56 [1,422]	23 [584]
7-4S-2-GL	120,000	10"	10"	RSO14	RSIF180	84 25/32 [2,153]	24 [610]	24 [610]	19 [483]	89-3/4 [2,280]	44-7/8 [1,140]	24 [610]	42 [1,067]	50 [1,270]	88-3/4 [2,254]	56 [1,422]	23 [584]
4-4S-3-GL	60,000	8"	10"	RSO12	RSIF160	48 25/32 [1,239]	36 [914]	36 [914]	19 [483]	53-3/4 [1,365]	26-7/8 [683]	24 [610]	54 [1,372]	62 [1,575]	52-3/4 [1,340]	68 [1,727]	23 [584]
5-4S-3-GL	80,000	8"	10"	RSO12	RSIF160	60 25/32 [1,544]	36 [914]	36 [914]	19 [483]	65-3/4 [1,670]	32-7/8 [835]	24 [610]	54 [1,372]	62 [1,575]	64-3/4 [1,645]	68 [1,727]	23 [584]
6-4S-3-GL	100,000	10"	10"	RSO14	RSIF180	72 25/32 [1,849]	36 [914]	36 [914]	19 [483]	77-3/4 [1,975]	38-7/8 [987]	24 [610]	54 [1,372]	62 [1,575]	76-3/4 [1,949]	68 [1,727]	23 [584]
7-4S-3-GL	120,000	10"	10"	RSO14	RSIF180	84 25/32 [2,153]	36 [914]	36 [914]	19 [483]	89-3/4 [2,280]	44-7/8 [1,140]	24 [610]	54 [1,372]	62 [1,575]	88-3/4 [2,254]	68 [1,727]	23 [584]

- If using an in-line powervent, use a -IN after the model number at time of order
- Fireplaces come standard with Crystal Glass Media. Optional colors and Natural Stone are available at an additional cost
- It is important to refer to the installation and operating manual PRIOR to installation to verify all measurements and clearances

- Dimensions are in inches and [millimeters]
- Air intake collar may be rotated to vent off the side, or from the bottom of the fireplace
- Use UL approved B-Vent pipe and follow all manufacturer installation guidelines
- Vent run approved up to 110' with quantity of 11, 90 degree elbows. 1" clearance to B-Vent must be maintained

IMPORTANT: MINIMUM FRAMING DIMENSIONS ASSUMING 1/2" DRYWALL AND NON-COMBUSTIBLE BOARD USED



Custom Fireplace Solutions

If you didn't find the design or size you were looking for in the Galaxy Series™ - *no problem.*

The Stellar Hearth Products team has won multiple hearth industry awards for fireplace innovation, and also has an exciting line of custom fireplaces for those unique fireplace designs that sit outside the standard parameters.

Stellar Hearth Products will work with you collaboratively to help customize the perfect design of fireplace for your unique needs.

Any Shape. Any Size. For Any Location.

- Safe-T-Touch Glass & Open Hearth (UL Certified)
- Indoor, Outdoor or Indoor-Outdoor See-Through
- Quarter-round, half-round or fully-round
- Modern or traditional interiors
- Fully customize to make one-of-a-kind with options like elevated burners, natural wood or driftwood log sets, reflective mirrors, glass or stone media, Envision panels, laser cut designs, LED lights and more

- Get Started Today -

Enter your fireplace project specifications at the Build Your Own Custom Fireplace Configurator

www.stellarhearth.com/custom-fireplaces/create-your-own-fireplace



Stellar Hearth Products
is a brand of Big Woods Hearth Products, Inc.



Stellar Hearth Products strive to combine bold creativity and advanced technology collaboratively with our customer's vision, resulting in compelling fire features for interior and exterior hearth projects.

16873 Fish Point Rd SE - Prior Lake, MN - 55372 (P) 952-224-4072 (E) info@stellarhearth.com

We have partnered with some of the finest hearth dealers across the United States and Canada. For more information on where you can buy Stellar Hearth Products in your area, please contact:

