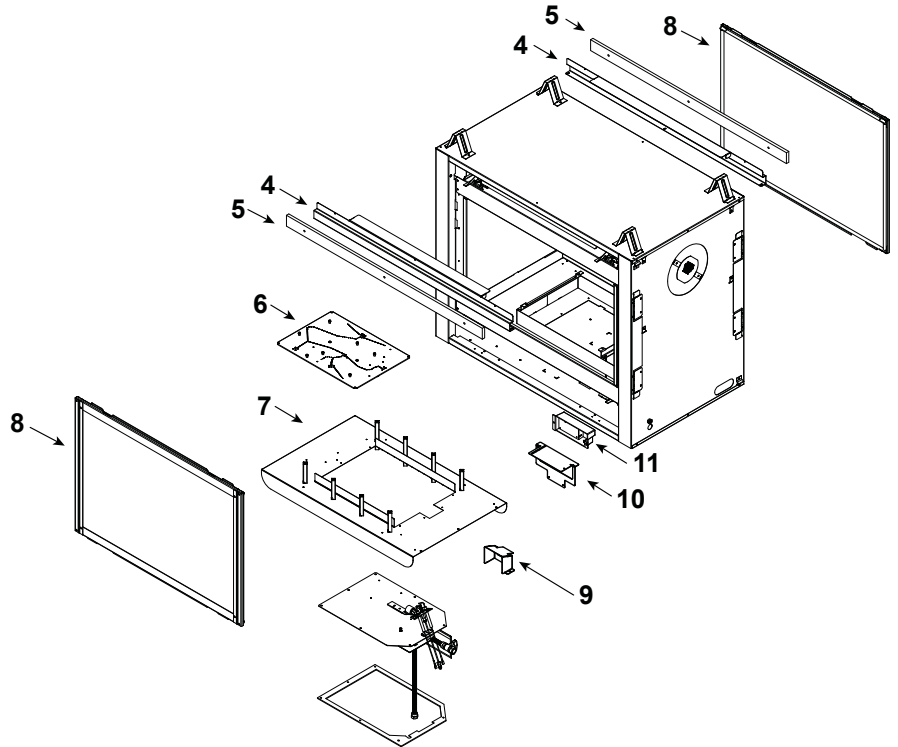
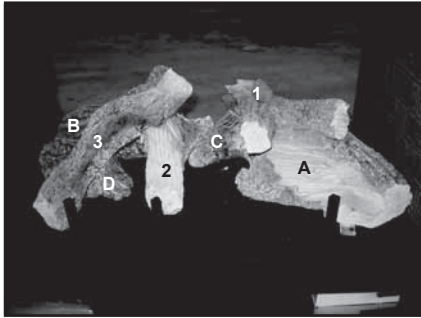


### Log Set Assembly



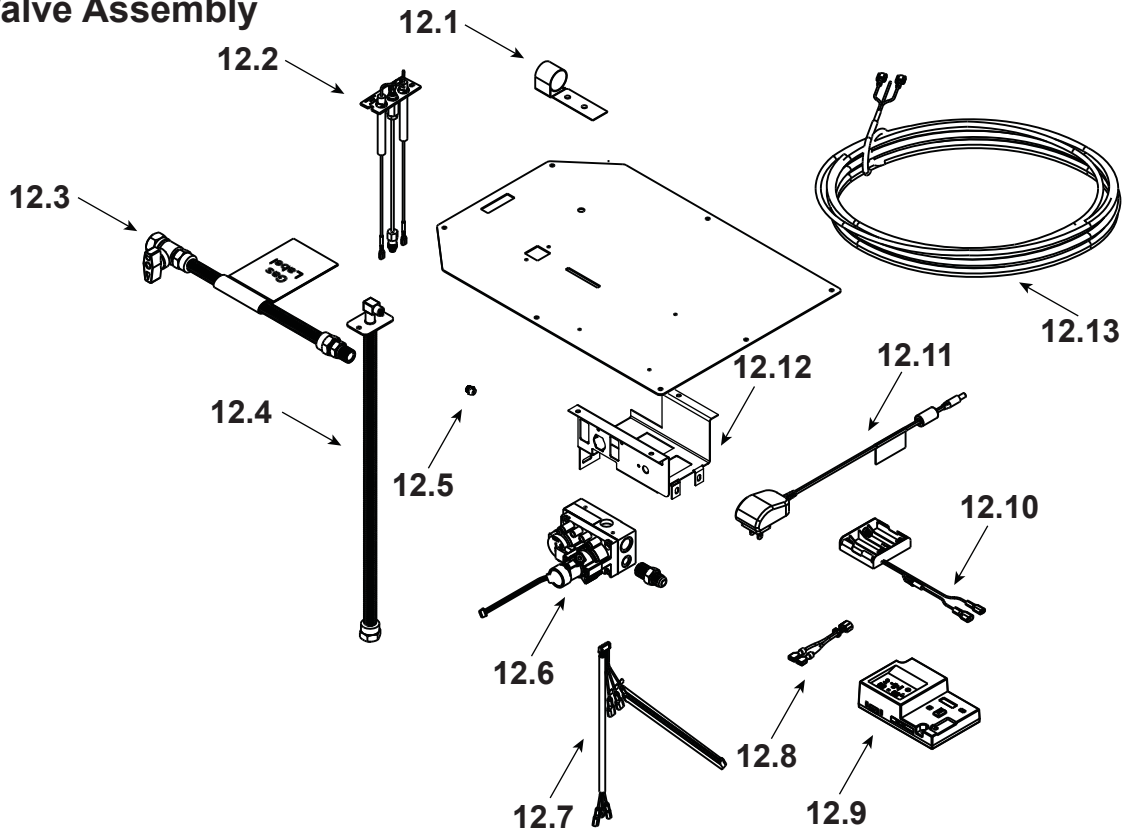
IMPORTANT: THIS IS DATED INFORMATION. Parts must be ordered from a dealer or distributor. **Hearth and Home Technologies does not sell directly to consumers.** Provide model number and serial number when requesting service parts from your dealer or distributor.



Stocked at Depot

ITEM	DESCRIPTION	COMMENTS	PART NUMBER	
	Log Set Assembly		LOGS-2128	Y
A	Log A		SRV2128-701	
B	Log B		SRV2128-702	
C	Log C		SRV2128-703	
D	Log D		SRV2128-706	
1	Log 1		SRV2128-704	
2	Log 2		SRV2128-705	
3	Log 3		SRV2128-707	
4	Sheetrock Ledge	Qty 2 req	2128-118	
5	Non-Comb	Qty 2 req	2130-196	
6	Burner NG, LP		2128-007	Y
7	Base Pan/Grate Assembly		2128-005	
8	Glass Door Assembly	Qty 2 req	GLA-6TROC	Y
9	Pilot Shield		2128-124	
10	Junction Box Bracket		2128-128	
11	Junction Box		4021-013	Y
	Refractory Panel		2128-117	
	Refractory, Air Passage Side		2128-116	
	Surround Overlay (contains overlay for top, bottom and sides)		SRV2128-FACE	

### #12 Valve Assembly



IMPORTANT: THIS IS DATED INFORMATION. Parts must be ordered from a dealer or distributor. **Hearth and Home Technologies does not sell directly to consumers.** Provide model number and serial number when requesting service parts from your dealer or distributor.



**Stocked at Depot**

ITEM	DESCRIPTION	COMMENTS	PART NUMBER	
12.1	Shutter Bracket Assembly		2118-121	Y
12.2	Pilot Assembly NG		2478-012	Y
	Pilot Assembly LP	Convert 2478-012 with 593-527		
12.3	Flex Ball Valve Assembly		302-320A	Y
12.4	Flexible Gas Connector		530-302A	Y
12.5	Orifice NG (#32C)		582-832	Y
	Orifice LP (#50C)		582-850	Y
12.6	Valve NG		2166-302	Y
	Valve LP		2166-303	Y
12.7	Harness, IFT 6 Pin Wiring		2326-132	Y
12.8	Jumper Wire		2187-198	Y
12.9	Module, IFT Control		2326-130	Y
12.10	Battery Holder 4AA, IFT		2326-134	Y
12.11	Transformer, 6 Volt Wall		2326-131	Y
12.12	Valve, Bracket		2118-104	
12.13	Thermostat Wire Assembly, Male/Male		2118-170	Y

Additional service part numbers appear on following page.

