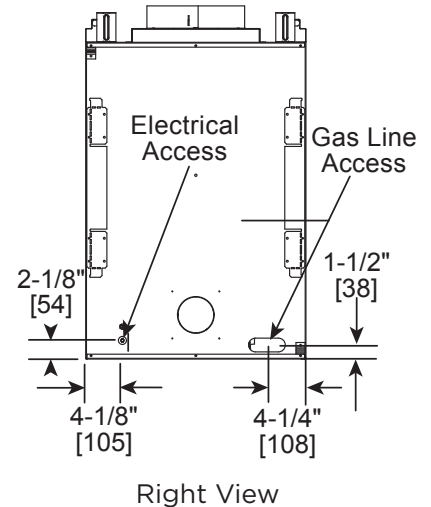
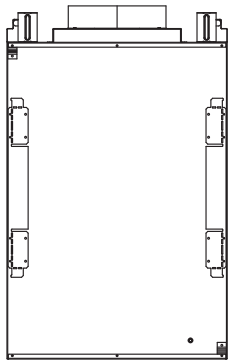
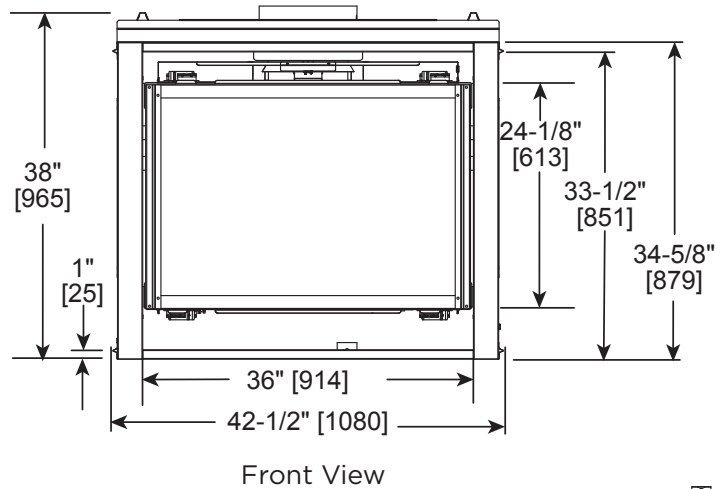
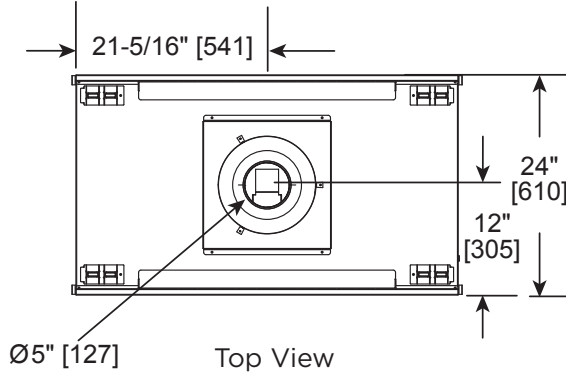




Please consult the manufacturer's installation manual for all details and requirements before making a final design layout decision.

ST-36TRB-IFT
See-Through
Direct Vent Gas Fireplace

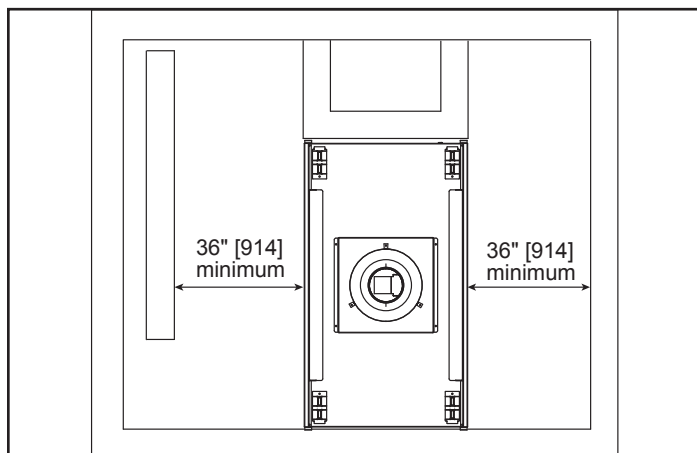
MODEL	FRONT WIDTH		BACK WIDTH		HEIGHT		DEPTH		GLASS SIZE
	Actual	Framing	Actual	Framing	Actual	Framing	Actual	Framing	
ST-36TRB-IFT	42-1/2" [1080]	43" [1092]	42-1/2" [1080]	43" [1092]	38" [965]	38-1/8" [968]	24" [610]	23" [584]	36" x 24-1/2" [914 X 622]



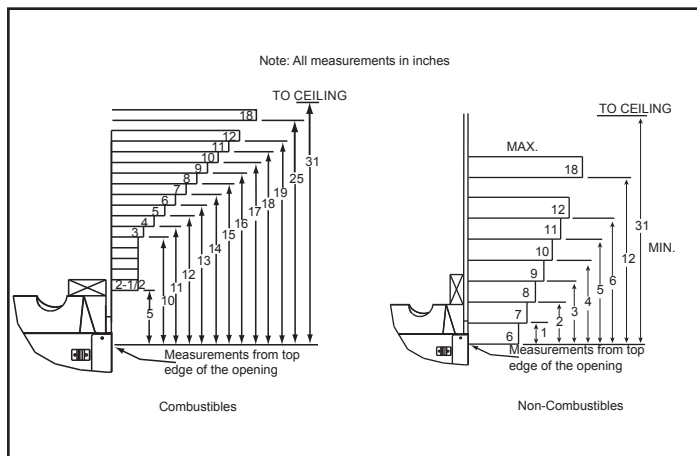
MINIMUM FIREPLACE CLEARANCES

AREA	TO COMBUSTIBLES (in inches)
CLEARANCE TO CEILING	31
COMBUSTIBLE/NON-COMBUSTIBLE FLOOR	0
SIDES OF APPLIANCE	1/2
FRONT OF APPLIANCE	36

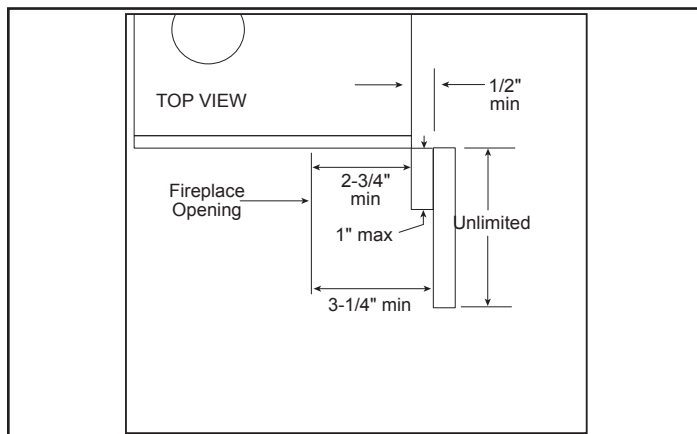
APPLIANCE LOCATION



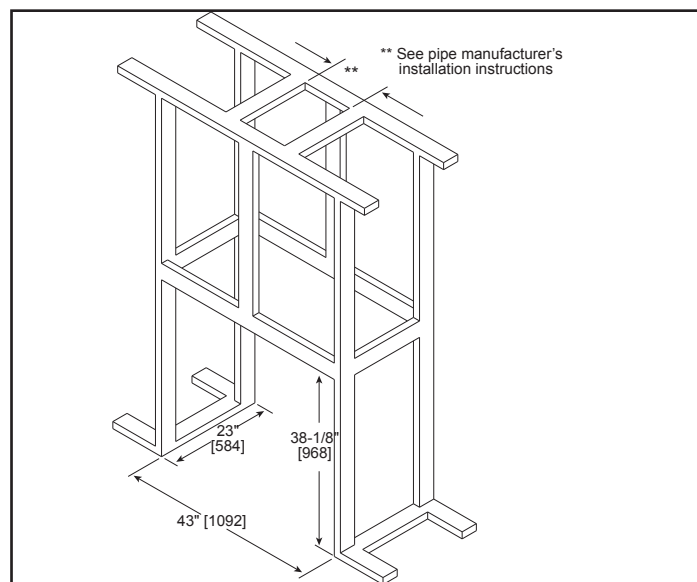
MANTEL PROJECTIONS



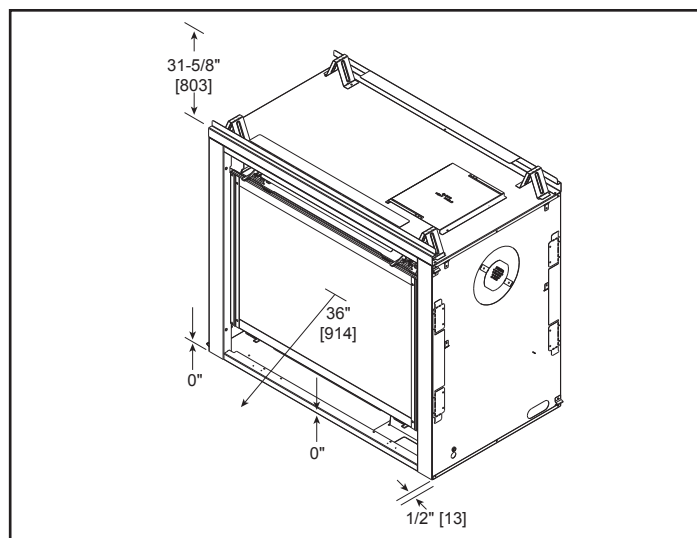
LEG/WALL PROJECTIONS



FRAMING DIMENSIONS



CLEARANCES TO COMBUSTIBLES



PRODUCT LISTING CODES	
US	ANSI Z21.50-2007
CAN	CSA 2.22-2007
US LISTED	UL307B

Product information provided is not complete and is subject to change without notice. Product installation must adhere strictly to instructions accompanying product to avoid risk of fire and potential injury.

Additional information can be found online at www.heatnglo.com