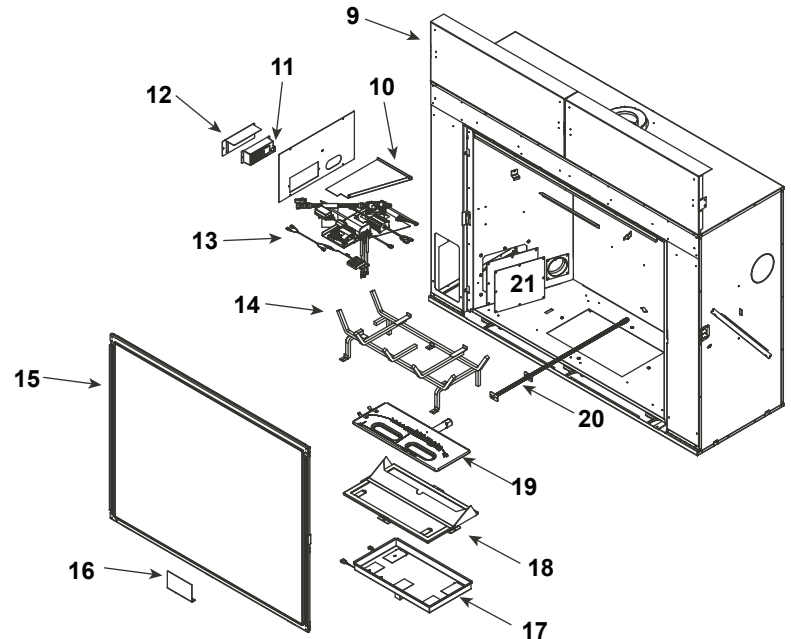
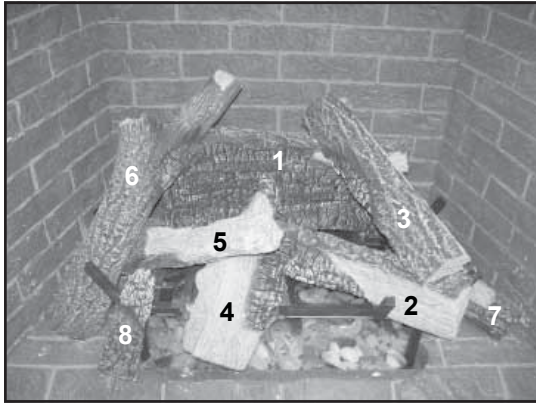


Log Set Assembly



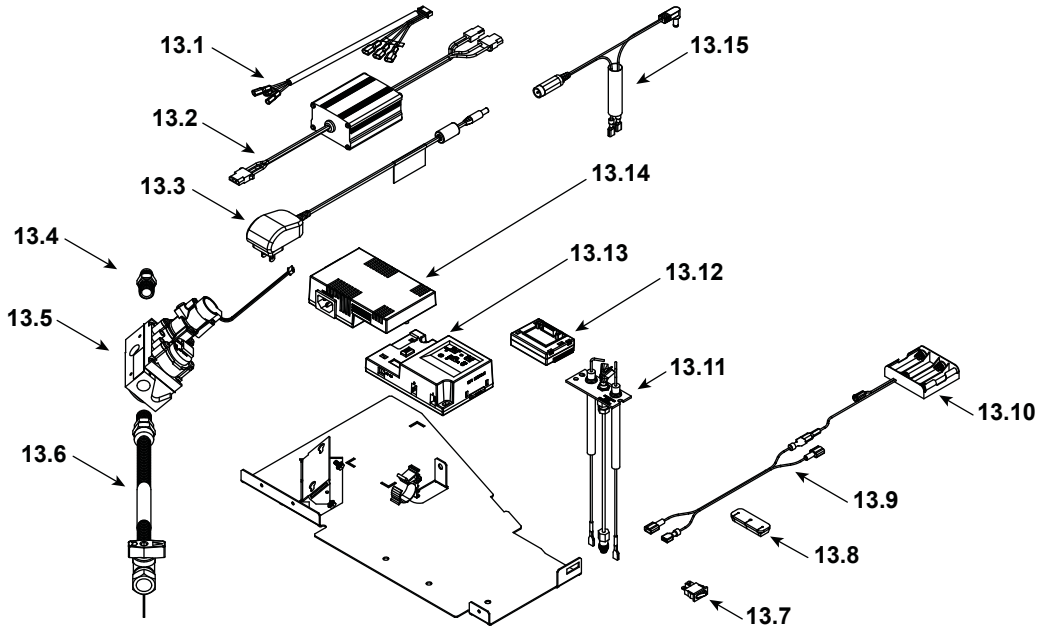
IMPORTANT: THIS IS DATED INFORMATION. Parts must be ordered from a dealer or distributor. **Hearth and Home Technologies does not sell directly to consumers.** Provide model number and serial number when requesting service parts from your dealer or distributor.



Stocked at Depot

ITEM	DESCRIPTION	COMMENTS	PART NUMBER	
	Log Assembly		LOGS-TRUE42	Y
1	Log 1		SRV2281-701	
2	Log 2		SRV2281-702	
3	Log 3		SRV2281-703	
4	Log 4		SRV2281-704	
5	Log 5		SRV2281-705	
6	Log 6		SRV2281-706	
7	Log 7		SRV2281-707	
8	Log 8		SRV2281-708	
9	Heat Shield, Header	Qty 2 req	2281-105	
10	Heat Shield, Valve		2281-153	
11	Junction box		4021-013	Y
12	J-Box Bracket		2281-154	
13	Valve Assembly		Refer to Valve Page	
14	Grate Assembly		2281-015	
15	Glass Assembly		GLA-2281	
16	Finishing Spacer		2281-113	
17	LED Tub Assembly		2281-017	
18	Inner Glass Frame Assembly		2281-019	
19	Burner Assembly		2281-007	Y
20	Orifice Bracket Flex		2012-008	Y
21	Access Plate		2281-117	
	Cover, Rear Light	TRUE-42G-IFT Only	2462-168	

#13 Valve Assembly



IMPORTANT: THIS IS DATED INFORMATION. Parts must be ordered from a dealer or distributor. **Hearth and Home Technologies does not sell directly to consumers.** Provide model number and serial number when requesting service parts from your dealer or distributor.

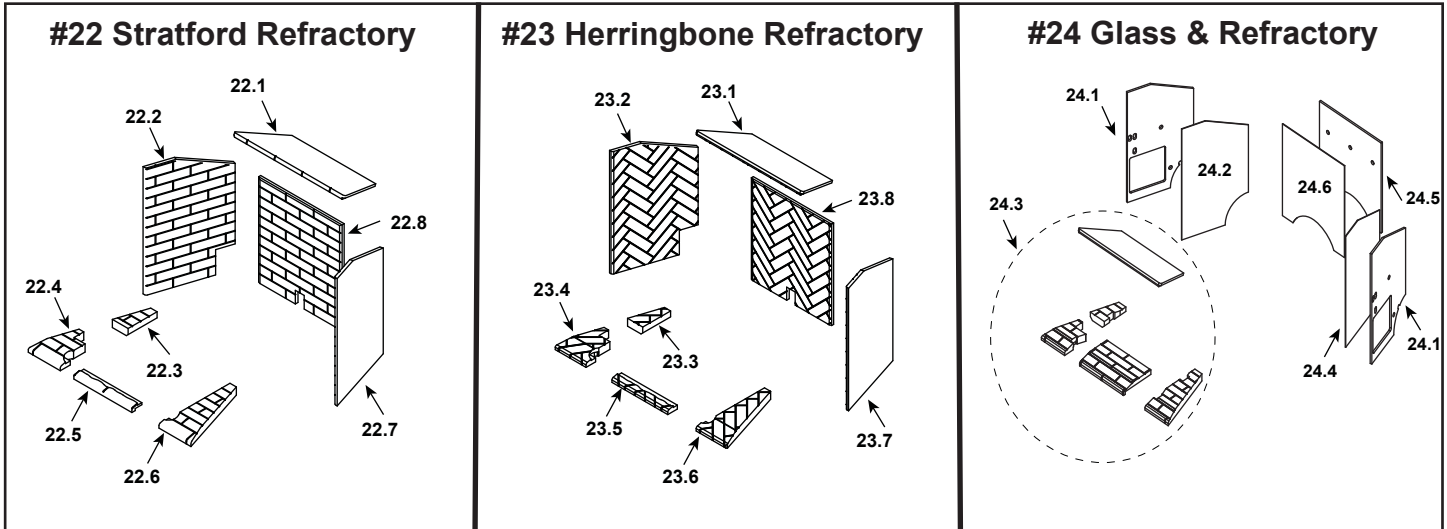


Stocked
at Depot

ITEM	DESCRIPTION	COMMENTS	PART NUMBER	
13.1	Wire Harness		2326-132	Y
13.2	Led Controller		2166-336	Y
13.3	Power Supply		2326-131	Y
13.4	Male connector	Pkg of 5	303-315/5	Y
13.5	Valve NG		2166-302	Y
	Valve LP		2166-303	Y
13.6	Flex Ball Valve Assembly. 12"		302-320A	Y
13.7	Rocker Switch		2206-299	Y
13.8	Grommet		2118-420	
13.9	Wire, Battery jumper, 10 in		2281-196	Y
13.10	**Battery Pack		2326-134	Y
13.11	Pilot Assembly, NG		2270-012	Y
13.12	Module, RF FCC		2326-120	Y
13.13	Module, Control IFT		2326-130	Y
13.14	Aux Module, B Type		2326-150	Y
13.15	Reset Switch Wire		2326-135	Y
	Cable, B Type AC Module		2326-152	Y
	Orifice NG (#26C)		582-826	Y
	Orifice LP (#45C)		582-845	Y

**Fuse for battery pack can be sourced locally, not a warranty item. Specs are 250v, 3A fuse, 3/4" long

No one builds a better fire



IMPORTANT: THIS IS DATED INFORMATION. Parts must be ordered from a dealer or distributor. **Hearth and Home Technologies does not sell directly to consumers.** Provide model number and serial number when requesting service parts from your dealer or distributor.



Stocked at Depot

ITEM	DESCRIPTION	COMMENTS	PART NUMBER	
	Refractory, Stratford	TRUE-42S-IFT		
22.1	Refractory, Top		SRV2281-716	
22.2	Refractory, Left		SRV2281-713	
22.3	Refractory, Left Base		SRV2281-718	
22.4	Refractory, Left Base		SRV2281-711	
22.5	Refractory, Front Base		SRV2281-710	
22.6	Refractory, Right Base		SRV2281-712	
22.7	Refractory, Right		SRV2281-714	
22.8	Refractory, Back		SRV2281-715	
	Refractory, Herringbone	TRUE-42H-IFT		
23.1	Refractory, Top		SRV2281-726	
23.2	Refractory, Left		SRV2281-723	
23.3	Refractory, Left Base		SRV2281-728	
23.4	Refractory, Left Base		SRV2281-721	
23.5	Refractory, Front Base		SRV2281-720	
23.6	Refractory, Right Base		SRV2281-722	
23.7	Refractory, Right		SRV2281-724	
23.8	Refractory, Back		SRV2281-725	
	Refractory, Glass	TRUE-42G-IFT		
24.1	Glass Spacer	Qty 2 req	2271-753	
24.2	Magic Glass, Left		SRV2271-743	
24.3	Refractory Assembly, Black		SRV2462-058	
24.4	Magic Glass, Right		SRV2271-744	
24.5	Back Glass Spacer		2271-755	
24.6	Magic Glass, Back		SRV2271-745	
	Glass Refractory Cover	Qty 2 req	SRV2281-281	

Additional service parts on following page.

