



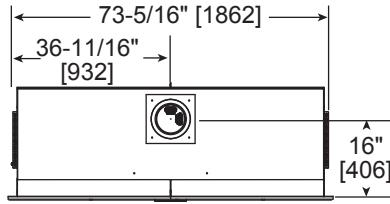
Please consult the manufacturer's installation manual for all details and requirements before making a final design layout decision.

TRUE

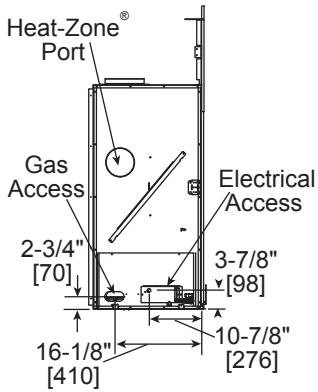
50" Direct Vent Gas Fireplace

MODEL	FRONT WIDTH		BACK WIDTH		HEIGHT		DEPTH		GLASS SIZE
	Actual	Framing	Actual	Framing	Actual	Framing	Actual	Framing	
TRUE-50	75	73-9/16	73-5/16	73-9/16	66-5/8	65	24	24	49-7/8 x 40-1/16

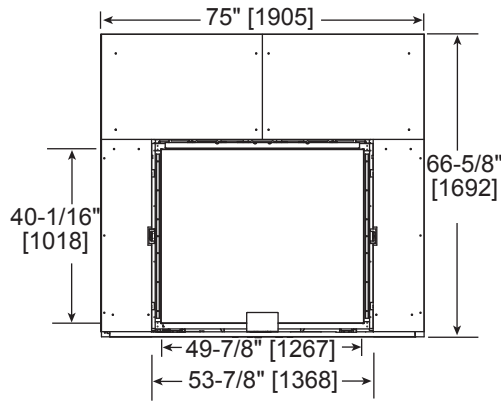
UNIT



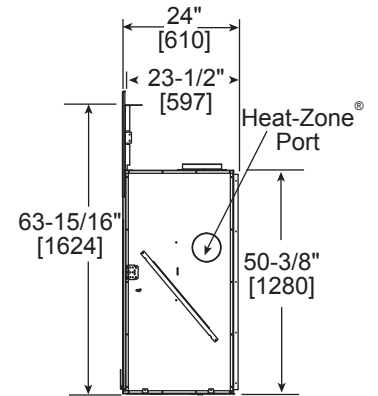
Top



Left

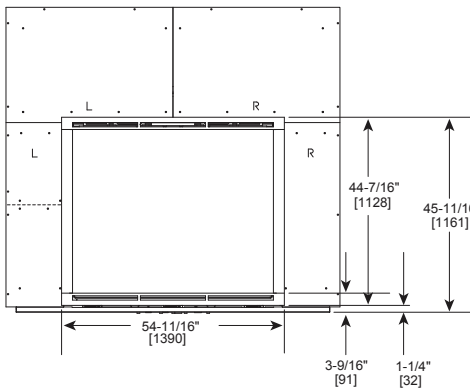


Front

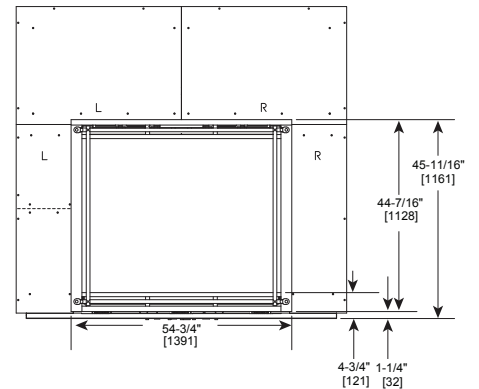


Right

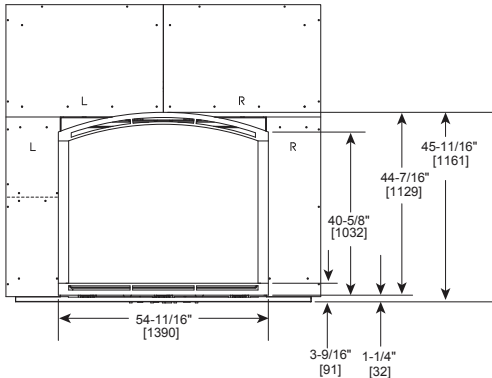
FRONTS



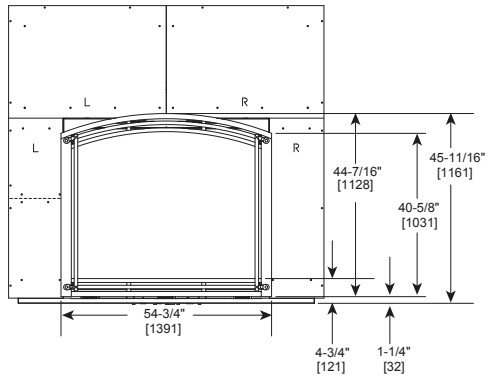
Firescreen



Forge

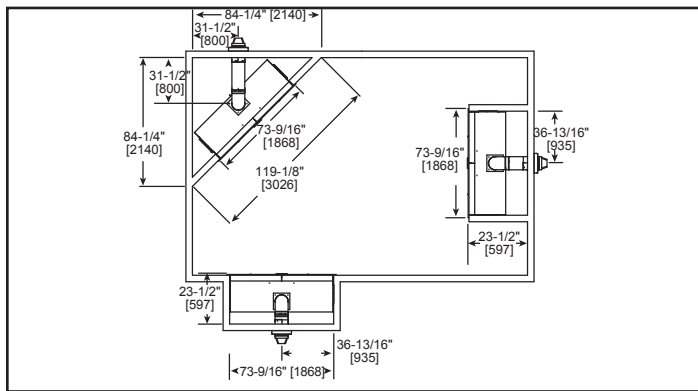


Arched Firescreen

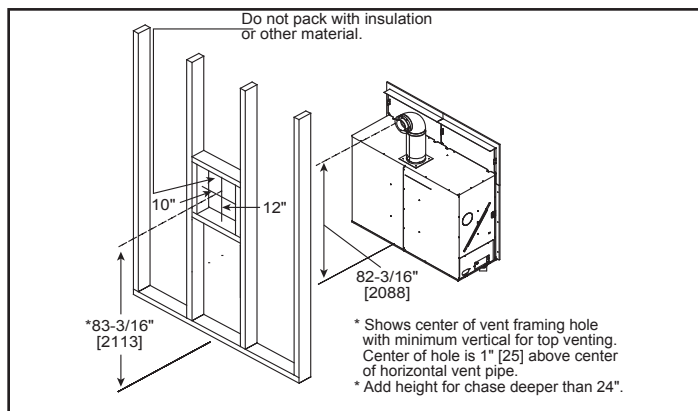


Arched Forge

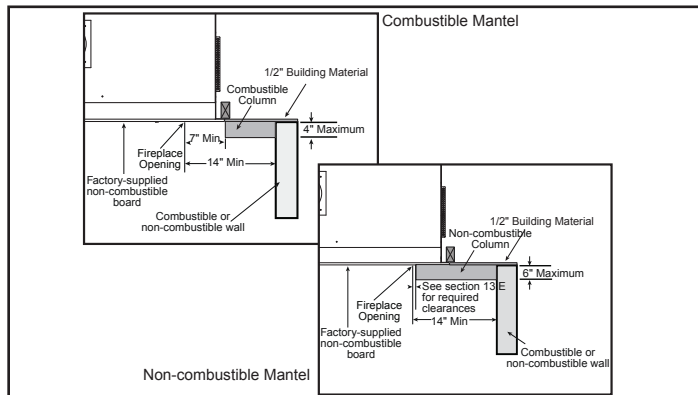
APPLIANCE LOCATION



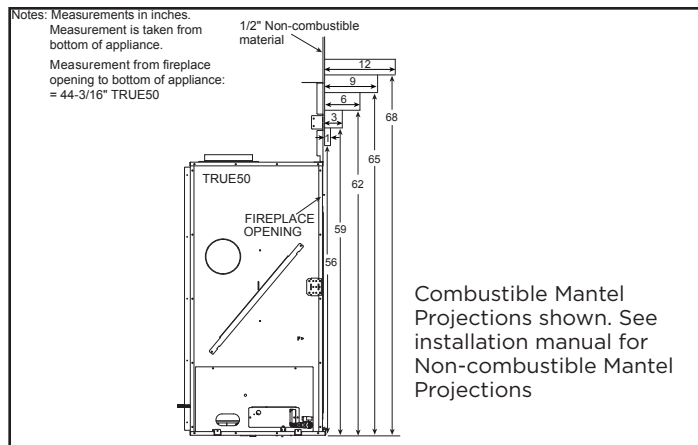
WALL PENETRATION



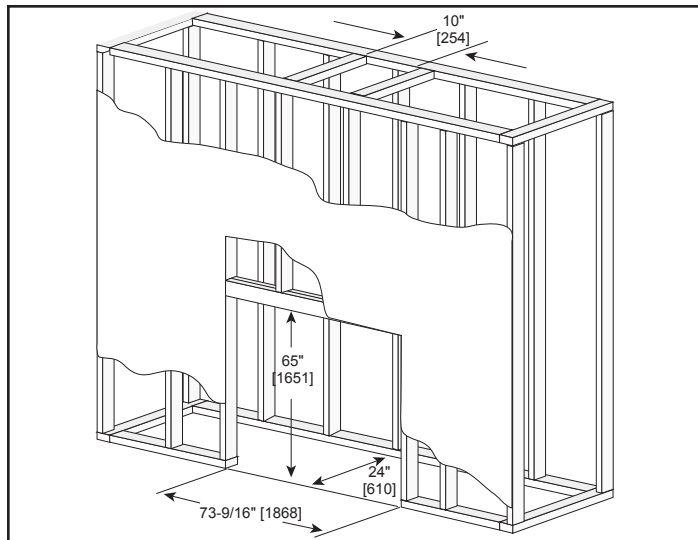
MANTEL LEG/WALL PROJECTIONS



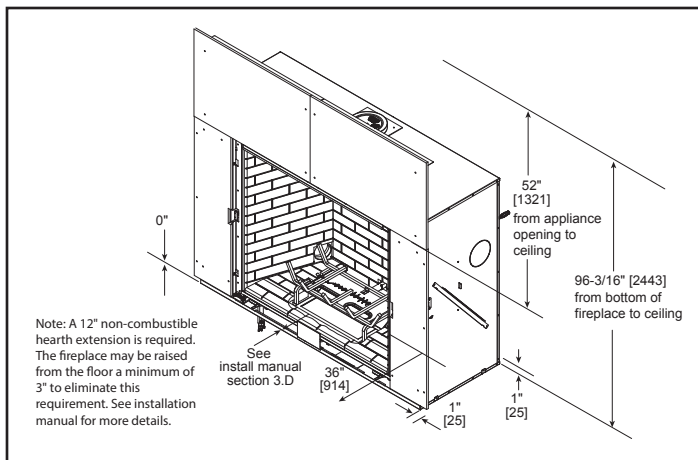
COMBUSTIBLE MANTEL PROJECTIONS



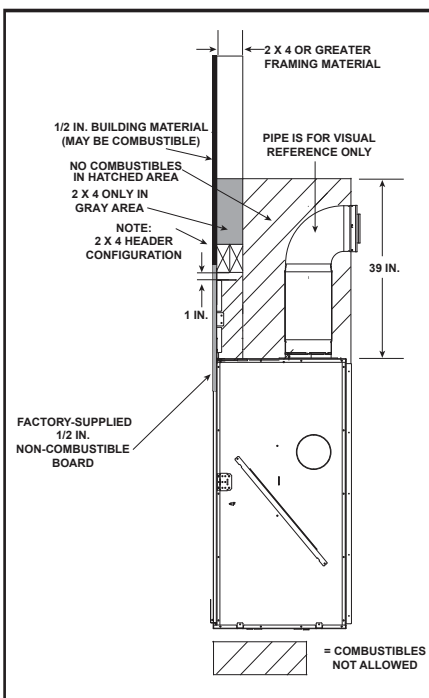
FRAMING DIMENSION



CLEARANCES TO COMBUSTIBLES



NON-COMBUSTIBLE ZONE



PRODUCT LISTING CODES	
US	ANSI Z21.88-2014
CAN	CSA 2.33-2014
	UL307B

Product information provided is not complete and is subject to change without notice. Product installation must adhere strictly to instructions accompanying product to avoid risk of fire and potential injury.

Additional information can be found online at www.heatnglo.com