

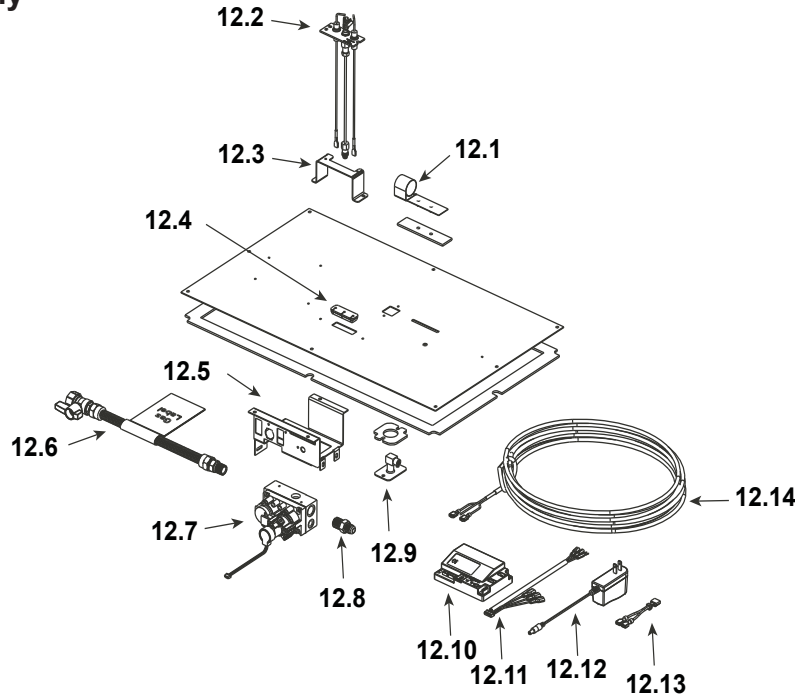
IMPORTANT: THIS IS DATED INFORMATION. Parts must be ordered from a dealer or distributor. **Hearth and Home Technologies does not sell directly to consumers.** Provide model number and serial number when requesting service parts from your dealer or distributor.



**Stocked at Depot**

ITEM	DESCRIPTION	COMMENTS	PART NUMBER	
1	Non-Combustible Board		2170-136	
2	Refractory Bracket	Qty 2 req	2241-115	
3	Rock Fixture Assembly		2241-040	Y
4	Base Pan Assembly		2242-015	
4	Base Pan Back		2242-114	
4	Base Pan Front		2242-101	
4	Pilot Hood		2241-117	
4	Pilot Shield	Stainless	2241-116	
5	Burner Assembly	NG	2242-007	Y
		LP	2242-008	Y
6	Glass Refractory, Back		2242-200	
7	Glass Refractory, Sides	Qty 2 req	2242-201	
8	Glass Retainer Clips	Pkg of 25	060-235-25	Y
9	Surround Assembly		2170-019	
10	Glass Assembly		GLA-950TR	Y
11	Junction box		4021-013	Y

### #12 Valve Assembly



IMPORTANT: THIS IS DATED INFORMATION. Parts must be ordered from a dealer or distributor. **Hearth and Home Technologies does not sell directly to consumers.** Provide model number and serial number when requesting service parts from your dealer or distributor.



**Stocked at Depot**

ITEM	DESCRIPTION	COMMENTS	PART NUMBER	
12.1	Shutter Bracket Assembly		2118-121	Y
12.2	Pilot Assembly, NG		2090-012	Y
	Pilot Assembly, LP		2090-013	Y
12.3	Pilot Bracket		2241-109	
12.4	3-Hole Grommet		2118-420	
12.5	Valve Bracket		2118-104	
12.6	Flex Ball Valve Assembly		302-320A	Y
12.7	Valve, NG		2166-302	Y
	Valve, LP		2166-303	Y
12.8	Male Connector	Pkg of 5	303-315/5	Y
12.9	Bulkhead w/FlexTube		7000-156	Y
12.10	Control Module		2166-338	Y
12.11	Wire Harness		2166-304	Y
12.12	Switched DC Regulator		2326-131	Y
12.13	Jumper Wire		2187-198	Y
12.14	Thermostat Wire Assembly		2118-170	Y
	Orifice, NG (#35C)		582-835	Y
	Orifice, LP (#54C)		582-854	Y

Additional service part numbers on following page.



No one builds a better fire

Beginning Manufacturing Date: Aug 2010  
Ending Manufacturing Date: Active

IMPORTANT: THIS IS DATED INFORMATION. Parts must be ordered from a dealer or distributor. **Hearth and Home Technologies does not sell directly to consumers.** Provide model number and serial number when requesting service parts from your dealer or distributor.



Stocked at Depot

ITEM	DESCRIPTION	COMMENTS	PART NUMBER	
	Battery Pack**		2166-323	Y
	<b>**Fuse for battery pack can be sourced locally, not a warranty item. Specs are 250v, 1A fuse, 3/4" long</b>			
	Flue Restrictor	Pre 0023875593	385-128	
		Post 0023875593	385-328	
	Gasket Assembly Includes Vent, Seal Cap, Burner Neck, Shutter Bracket, Manifold and Valve Plate gaskets		2166-081	
	Glass Latch Assembly	Qty 2 req	2382-400	Y
	Media, Standard, 7 lb bags	Clear (Qty 2 req)	4065-111	
	Media (Optional 14 LB bag)	Amber	MEDIA-AMBER-14	
		Black	MEDIA-BLACK-14	
		Cobalt (Blue)	MEDIA-COBALT-14	
	Touch Up Paint		TUP-GBK-12	
	Conversion Kit, NG		N/A	
	Conversion Kit, LP		LPKI-8CM	Y
	Pilot Orifice, NG		593-528	Y
	Pilot Orifice, LP		593-527	Y
	Regulator, NG		NGK-DXV-50	Y
	Regulator, LP		LPK-DXV-50	Y