

IMPORTANT: THIS IS DATED INFORMATION. Parts must be ordered from a dealer or distributor. **Hearth and Home Technologies does not sell directly to consumers.** Provide model number and serial number when requesting service parts from your dealer or distributor.



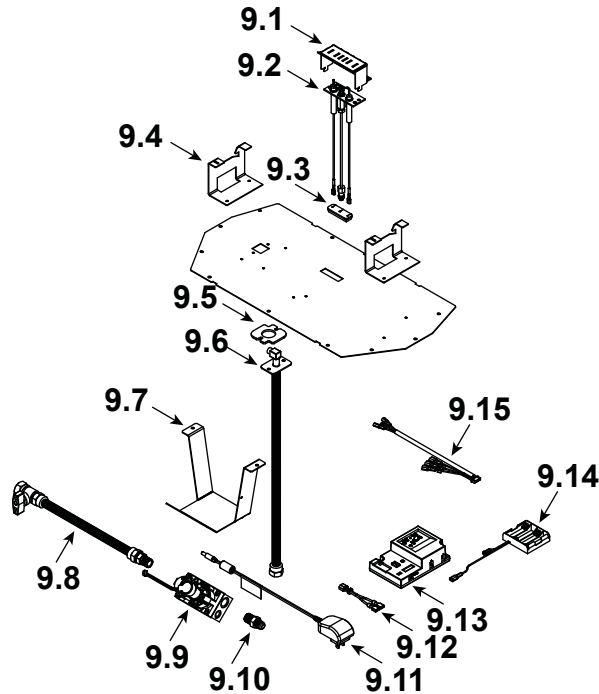
Stocked at Depot

ITEM	DESCRIPTION	COMMENTS	PART NUMBER	
1	Header Heat Shield		2118-120	
2	Non-Combustible Support		2491-104	
3	Top Fill		2491-135	
4	Non-Combustible Assembly		2491-079	
5	Base Pan		2491-111	
6	Burner Assembly		2491-007	Y
7	Glass Door Assembly		GLA-42HNG	Y
8	Lower Panel		2491-103	
9	Valve Assembly		Refer to Valve Page	
10	Junction box		4021-013	Y
11	Heat Shield, Junction Box		2491-129	
12	Heat Shield, Components		2493-129	

No one builds a better fire

Beginning Manufacturing Date: Dec 2017
Ending Manufacturing Date: Active

#9 Valve Assembly



IMPORTANT: THIS IS DATED INFORMATION. Parts must be ordered from a dealer or distributor. **Hearth and Home Technologies does not sell directly to consumers.** Provide model number and serial number when requesting service parts from your dealer or distributor.



Stocked at Depot

ITEM	DESCRIPTION	COMMENTS	PART NUMBER	
9.1	Pilot Shield		2491-123	
9.2	Pilot Assembly NG		2106-169	Y
	Pilot Assembly LP		2106-170	Y
9.3	Grommet		2118-420	
9.4	Burner Support, Left and Right	1 Set	2491-169	
9.5	Gasket		2025-407	
9.6	Bulkhead W/Flex Tube		530-302A	Y
9.7	Valve Bracket		2491-153	
9.8	Flex Ball Valve Assembly, 12"		302-320A	Y
9.9	Valve NG		2166-302	Y
	Valve LP		2166-303	Y
9.10	Male Connector	Pkg of 5	303-315/5	Y
9.11	Transformer, 6 Volt Wall		2326-131	Y
9.12	Jumper Wire		2187-198	Y
9.13	Module, Control IFT		2326-130	Y
9.14	Battery Holder 4AA, IFT		2326-134	Y
9.15	Harness, IFT 6 Pin Wiring		2326-132	Y
	Orifice NG (#42C)		582-842	Y
	Orifice LP (.057C)		582-057	Y

Additional service part numbers appear on following page.

