

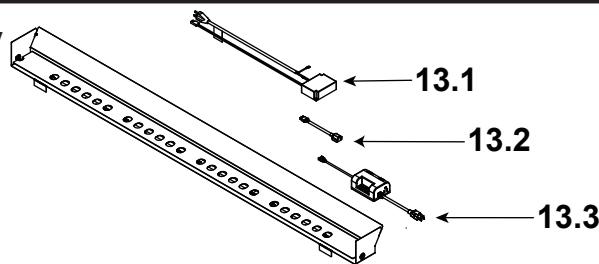
**IMPORTANT: THIS IS DATED INFORMATION.** Parts must be ordered from a dealer or distributor. **Hearth and Home Technologies does not sell directly to consumers.** Provide model number and serial number when requesting service parts from your dealer or distributor.



**Stocked at Depot**

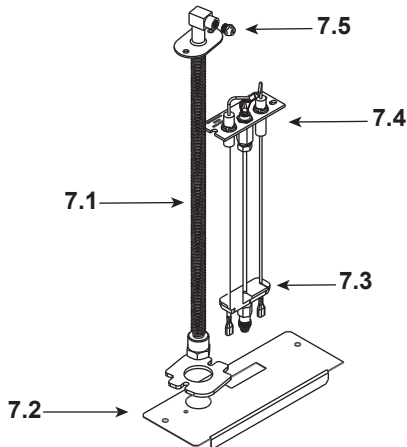
ITEM	DESCRIPTION	COMMENTS	PART NUMBER	
1	Non-combustible Board, Top		SRV2331-460	
2	Standoff, Top	Qty 4 req	2300-283	
3	Side Trim	Qty 2 req	2300-281	
4	Non-combustible Board, Side	Qty 2 req	2300-461	
5	Bottom glass		2331-018	
6	Burner		2331-007	
7	Pilot Assembly		<b>See Following Page</b>	
8	Shield, Pilot		2300-195	
9	Glass Assembly		GLA-72-HNG	
10	Shield., Bottom Glass		2331-179	
11	Panel, Bottom		2331-147	
12	Rock Tray		2331-151	

### #13 LED Light Assembly

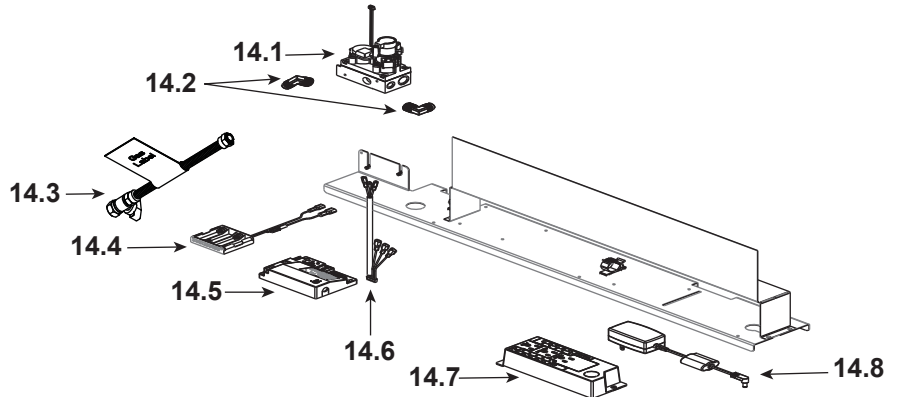


13	LED Light Assembly		ALK-72	
13.1	LED 12V Power Supply		2273-308	Y
13.2	Cord Assembly		2101-084	Y
13.3	AUX RC300		2166-335	Y

### #7 Pilot Assembly



### #16 Valve Assembly



IMPORTANT: THIS IS DATED INFORMATION. Parts must be ordered from a dealer or distributor. **Hearth and Home Technologies does not sell directly to consumers.** Provide model number and serial number when requesting service parts from your dealer or distributor.



**Stocked  
at Depot**

ITEM	DESCRIPTION	COMMENTS	PART NUMBER	
7.1	Bulkhead W/Flex tube		2166-119	Y
7.2	Plate Flex and Pilot		2300-163	
7.3	3-Hole Grommet		2118-420	
7.4	Pilot Assembly, NG		2090-012	Y
	Pilot Assembly, LP		2090-013	Y
7.5	Orifice, NG #23C		582-823	Y
	Orifice, LP #45C		582-845	Y
14.1	Valve, NG		2166-302	Y
	Valve, LP		2166-303	Y
14.2	Elbow	Qty 2 req	4021-045	
14.3	Flex Ball Valve Assembly		2078-022	Y
14.4	Battery Pack**		2166-323	Y
14.5	Module		2166-307	Y
14.6	Wire Harness		2166-304	Y
14.7	Junction Box		4021-013	Y
14.8	DC Regulator		2326-131	Y

\*\*Fuse for battery pack can be sourced locally, not a warranty item. Specs are 250v, 1A fuse, 3/4" long

Additional service part numbers on following page.



No one builds a better fire

Beginning Manufacturing Date: May 2016  
Ending Manufacturing Date: Active

IMPORTANT: THIS IS DATED INFORMATION. Parts must be ordered from a dealer or distributor. **Hearth and Home Technologies does not sell directly to consumers.** Provide model number and serial number when requesting service parts from your dealer or distributor.



**Stocked  
at Depot**

ITEM	DESCRIPTION	COMMENTS	PART NUMBER	
	Cable, Linear		2300-754	Y
	Flue Restrictor		385-128	
	Fiber Glass Rope		060-455	
	Gasket Assembly Contains: Vent, Burner Neck, Seal Cap, Air Passage, Drawn Air Passage, and Flex and Pilot		2300-080	
	Glass Latch Assembly	Qty. 4 req.	2146-413	Y
	Log Assembly (Optional)		LOGS-72	
	Light Kit, Ambient		ALK-72	
	Black Glass Kit ( Includes Manual Bag Assembly for kit and Refractory Assembly, Optional)		BGK-72	
	Remote RC300-HNG		2166-330	Y
	Touch Up Paint		TUP-GBK-12	
	Vinyl Siding Shield		TRAP-VSS	
<b>Media Options</b>				
	Media Kit, Red		MEDIA-RED-72	
	Media Kit, Fog		MEDIA-FOG-72	
	Media Kit, Ebony		MEDIA-EBONY-72	
	Media Kit, Cobalt		MEDIA-COBALT-72	
	Media Kit, Clear		MEDIA-CLEAR-72	
	Media Kit, Amber		MEDIA-AMBER-72	
<b>Conversion Kits</b>				
	Conversion Kit NG		N/A	
	Conversion Kit LP		LPK-8472	Y
	Pilot Orifice, NG		593-528	Y
	Pilot Orifice, LP		593-527	Y
	Regulator, NG		NGK-DXV-50	Y
	Regulator, LP		LPK-DXV-50	Y