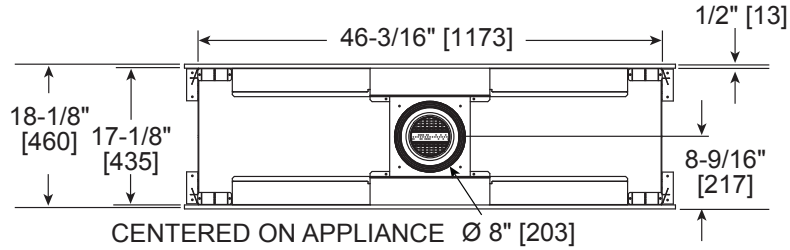




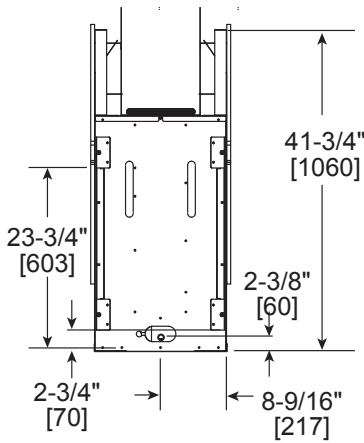
Please consult the manufacturer's installation manual for all details and requirements before making a final design layout decision.

**MEZZO36ST**  
36" See-Through Direct Vent Gas Fireplace

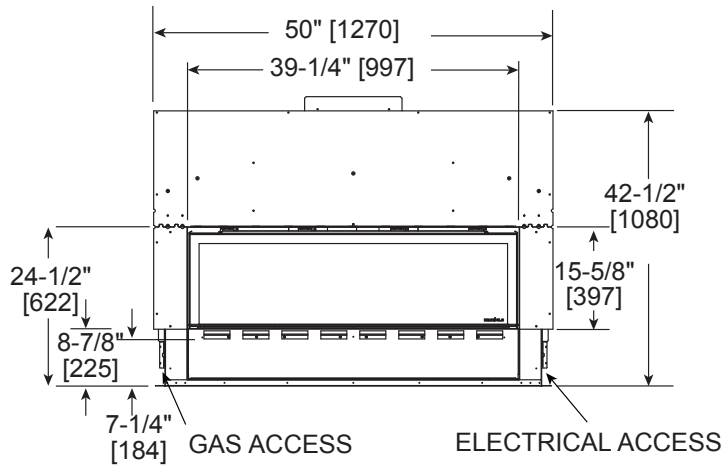
| MODEL     | FRONT WIDTH |         | BACK WIDTH |         | HEIGHT |         | DEPTH  |         | GLASS SIZE      |
|-----------|-------------|---------|------------|---------|--------|---------|--------|---------|-----------------|
|           | Actual      | Framing | Actual     | Framing | Actual | Framing | Actual | Framing |                 |
| MEZZO36ST | 46-3/16     | 48-1/4  | 46-3/16    | 48-1/4  | 41-3/4 | 42      | 17-1/8 | 17      | 35-1/2 x 12-1/2 |



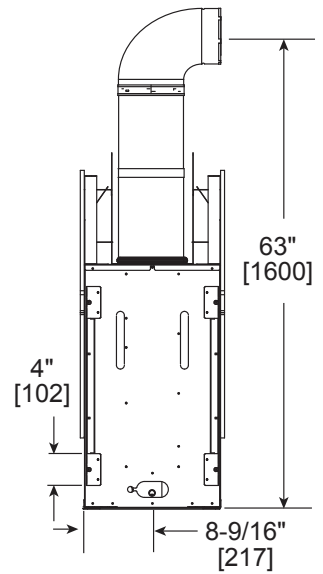
Top



Left

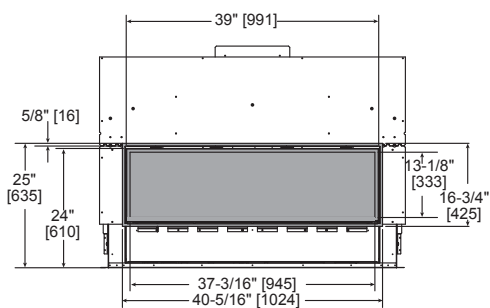


Front

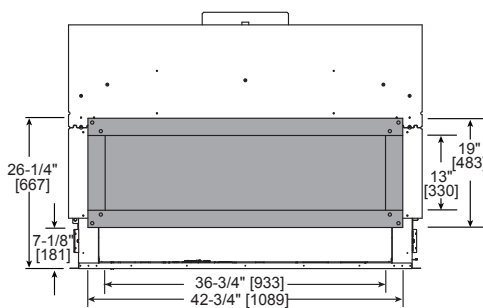


Right

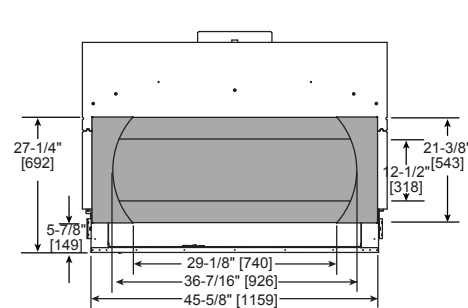
FRONT DIMENSIONS



Clean Face Trim



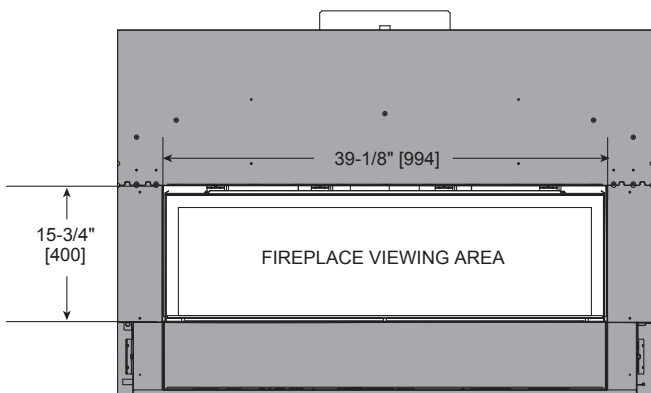
Loft Forge Front



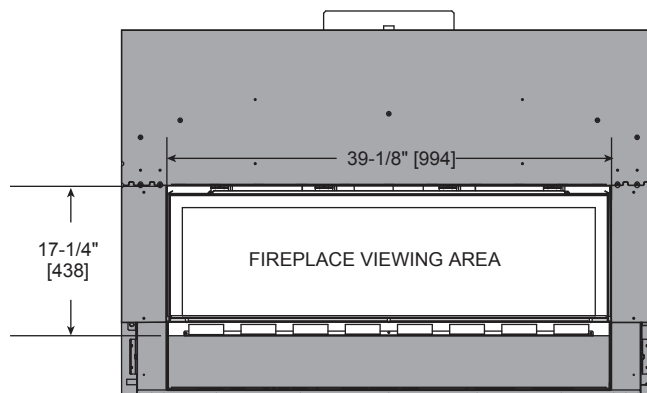
Quattro Front

- Rectangular holes on bottom of access panel should be covered.
- Approved for 0"-4" finishing material on inside fit method
- If finishing materials are 0-1" thick, the outer trim ring should be adjusted out so that the trim ring overlaps the finishing material. This is intended to provide the cleanest look.
- If finishing materials are 1-4" thick, install the trim ring all the way in. Finishing materials may not extend past the outside edge of the trim ring.
- Rectangular holes on bottom of access panel must be exposed.
- ONLY approved for 0"-1" finishing material on overlap fit method
- Rectangular holes on bottom of access panel must be exposed.
- ONLY approved for 0"-1" finishing material on overlap fit method

FINISHED OPENING DIMENSIONS

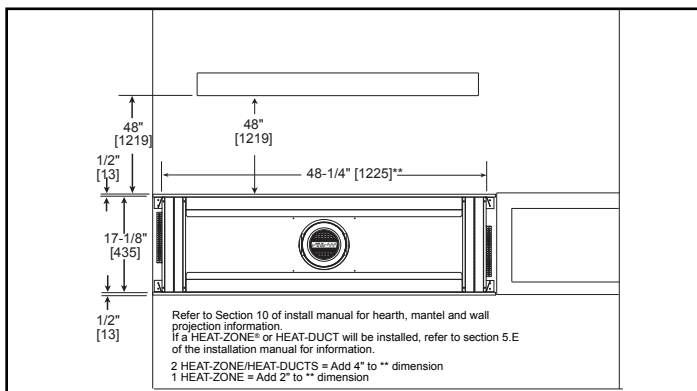


Inside Fit Method  
(Clean Face Trim)

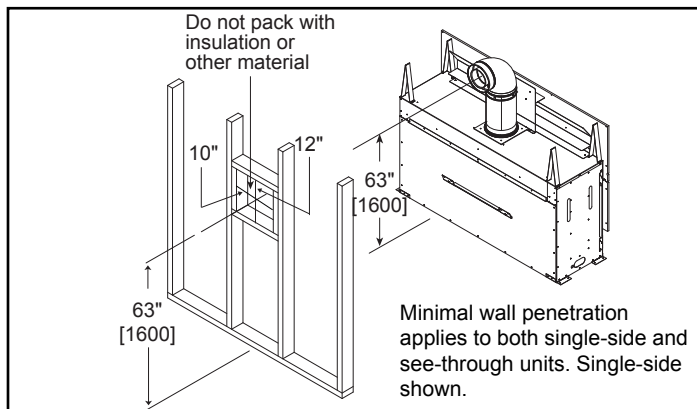


Overlap Fit Method  
(Loft Forge, Quattro)

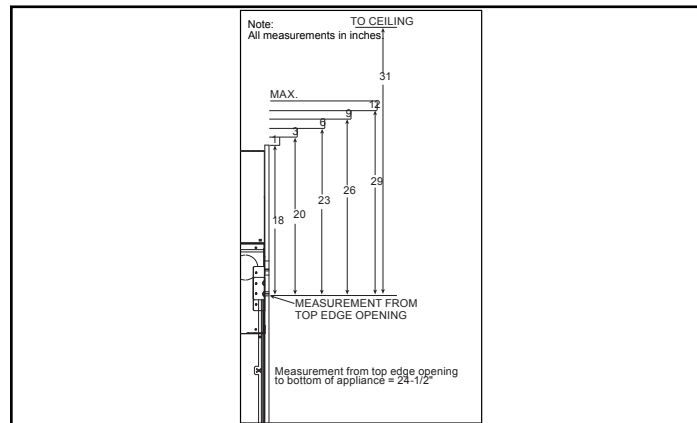
APPLIANCE LOCATION



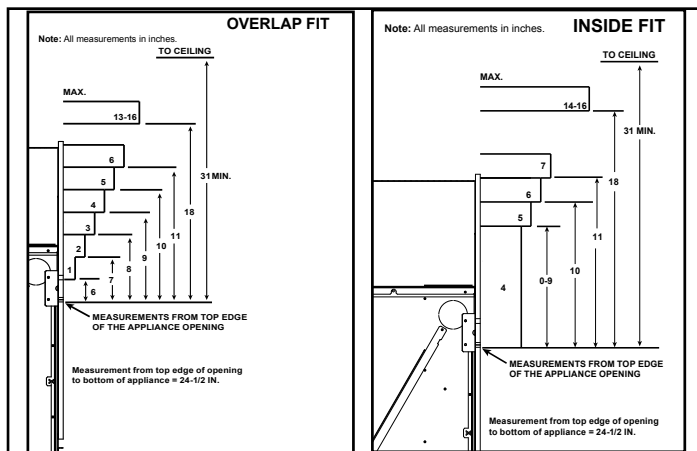
WALL PENETRATION



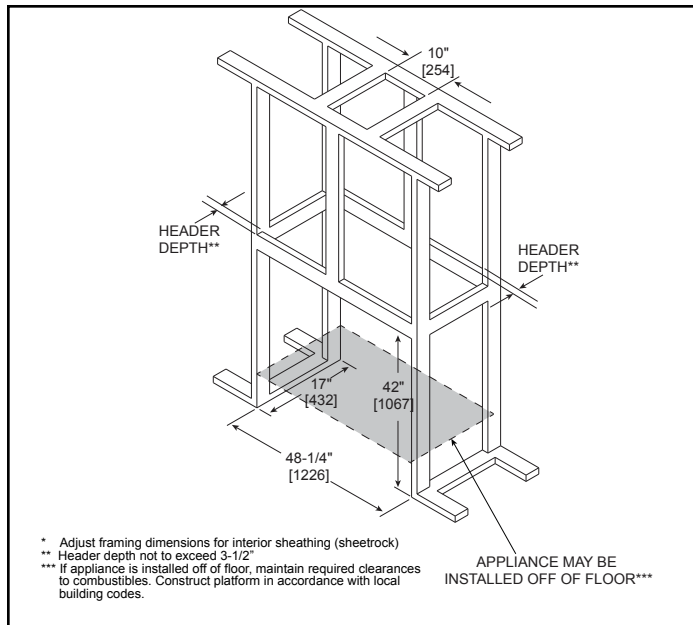
MANTEL PROJECTIONS - COMBUSTIBLE



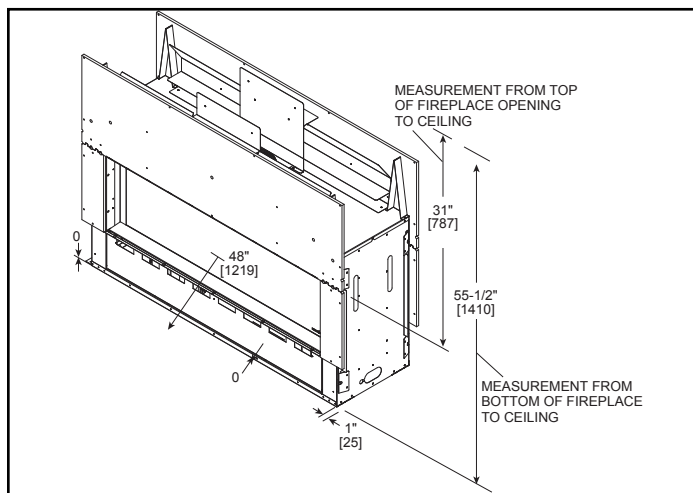
MANTEL PROJECTIONS - NON-COMBUSTIBLE



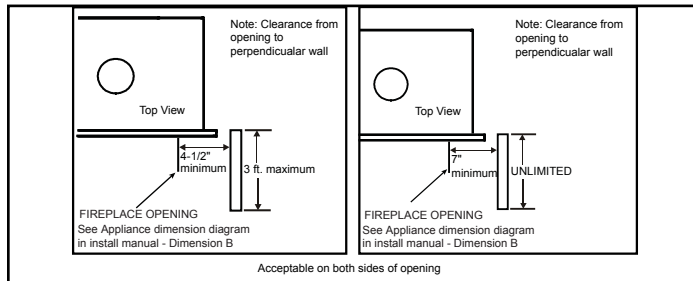
FRAMING DIMENSION



CLEARANCES TO COMBUSTIBLES



MANTEL LEG/WALL PROJECTIONS COMBUSTIBLE OR NON-COMBUSTIBLE



| PRODUCT LISTING CODES |                  |
|-----------------------|------------------|
| US                    | ANSI Z21.88-2014 |
| CAN                   | CSA 2.33-2014    |
|                       | UL307B           |

Product information provided is not complete and is subject to change without notice. Product installation must adhere strictly to instructions accompanying product to avoid risk of fire and potential injury.

Additional information can be found online at [www.heatnglo.com](http://www.heatnglo.com)