

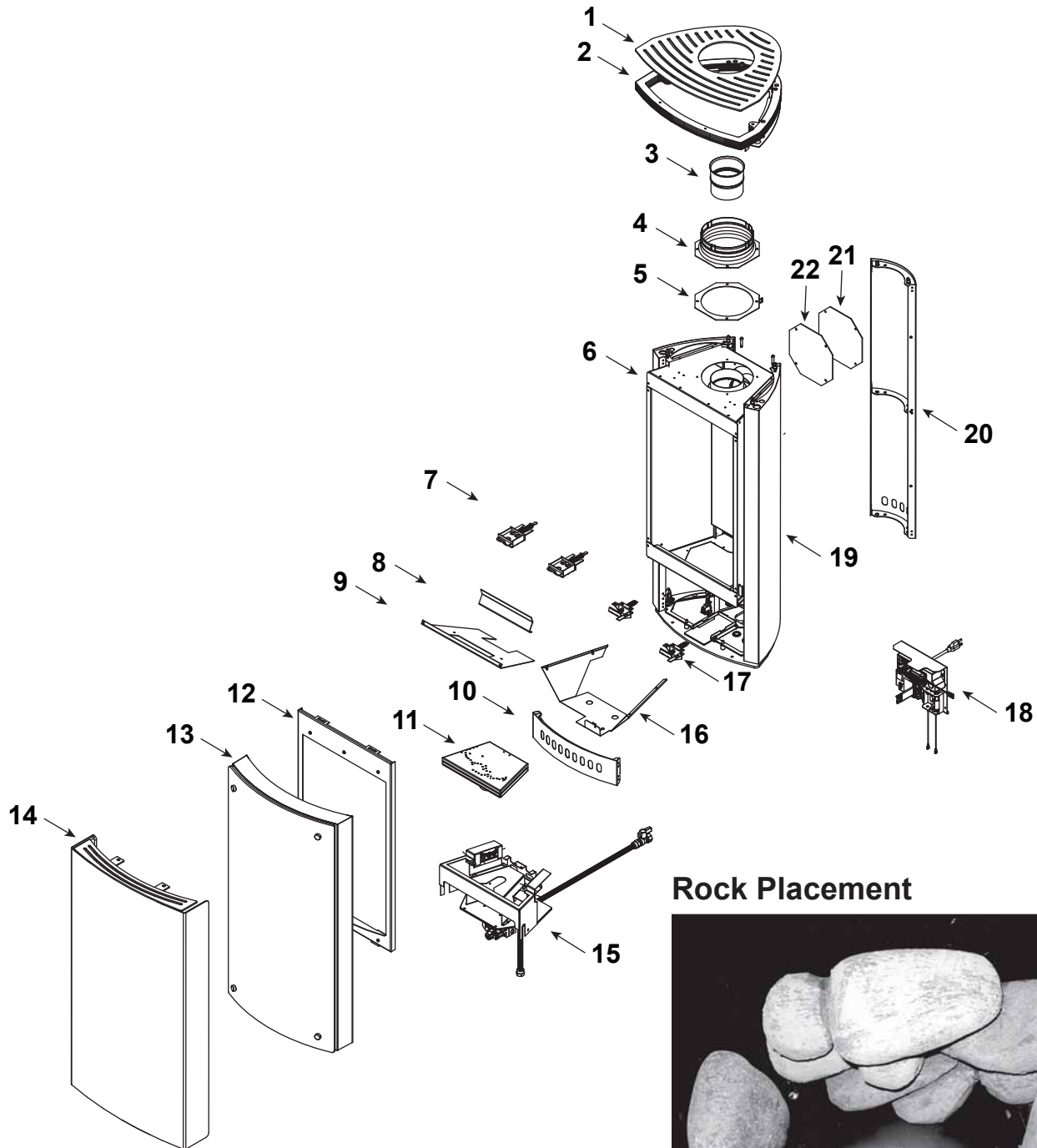
No one builds a better fire

Gas Stove - DV

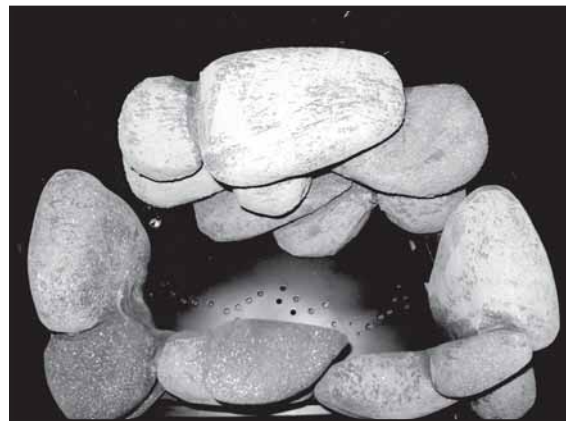
Beginning Manufacturing Date: Aug 2009

Ending Manufacturing Date: Active

Paloma-GY-MOD (Gray), Paloma-GR-MOD (Green),
Paloma-BZ-MOD (Bronze), Paloma-BK-MOD (Black))



Rock Placement



Part number list on following page.

No one builds a better fire

Beginning Manufacturing Date: Aug 2009

Ending Manufacturing Date: Active

IMPORTANT: THIS IS DATED INFORMATION. Parts must be ordered from a dealer or distributor. **Hearth and Home Technologies does not sell directly to consumers.** Provide model number and serial number when requesting service parts from your dealer or distributor.



**Stocked
at Depot**

ITEM	DESCRIPTION	COMMENTS	PART NUMBER	
	Rock Assembly		Paloma-Rock	
1	Removable Top Assembly Top Vent	Gray	2123-012	
		Black	2123-012-BK	
	Removable Top Assembly Rear Vent	Gray	2123-025	
		Black	2123-025-BK	
2	Top Assembly	Gray	7031-013	
		Black	7031-013-BK	
3	SLP Stove Adaptor		SLP-SA	
4	Starting Collar Assembly		2189-002	
5	Gasket, Adaptor		460-0610	
6	Side Assembly Left	Gray	2123-027	
		Black	2123-027-BK	
7	Latch Assembly Upper		7003-006	Y
8	Heat Shield Baffle		2189-106	
9	Heat Shield		2189-105	
10	Access Door Assembly	Gray	7031-023	
		Black	7031-023-BK	
11	Burner Assembly		2189-005	Y
12	Glass Frame Assembly		2189-004	Y
13	Front Door Assembly	Bronze	2123-028	
		Green	2123-029	
		Gray	2123-016	
		Black	2123-028-BK	
	Cap and Barrel Assembly	Gray	2123-019	
		Black	2143-030	
14	Screen Assembly	No longer available	2189-023	
		Black	2189-023-BK	
15	Valve Plate Assembly		2189-003	
16	Air Deflector		2123-185	
17	Latch Assembly Lower	Pkg of 2	33858/2	Y
18	Control Assembly		7031-027	Y
	Control Module		593-592	Y
	Junction Box		4021-013	Y
	Power Cord		832-2410	Y
	Wire Assembly		593-590A	Y
	3V Transformer		593-593A	Y
	Battery Pack		593-594A	Y

Additional service part numbers appear on following page.

No one builds a better fire

Beginning Manufacturing Date: Aug 2009
Ending Manufacturing Date: Active

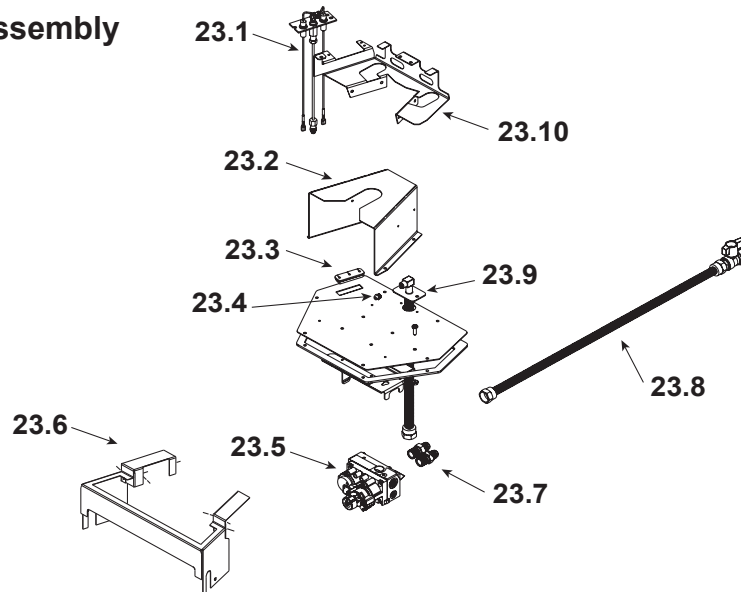
IMPORTANT: THIS IS DATED INFORMATION. Parts must be ordered from a dealer or distributor. **Hearth and Home Technologies does not sell directly to consumers.** Provide model number and serial number when requesting service parts from your dealer or distributor.



**Stocked
at Depot**

ITEM	DESCRIPTION	COMMENTS	PART NUMBER	
19	Side Assembly Right	Gray	2123-026	
		Black	2123-026-BK	
20	Back Panel Assembly Vertical	Gray	7031-021	
		Black	7031-021-BK	
	Back Panel Assembly Horizontal		7031-022	
21	Cover Plate		2189-111	
22	Cover Plate Gasket		7010-160	

#23 Bottom Plate Assembly



23	Bottom Plate Assembly	Gray	2123-015	
		Black	2123-015-BK	
23.1	Pilot Assembly NG		2090-012	Y
	Pilot Assembly LP		2090-013	Y
23.2	Burner Support		7031-279	
23.3	3-Hole Grommet		2118-420	
23.4	Orifice NG (#38C)		582-838	Y
	Orifice LP (#53C)		582-853	Y
23.5	Valve NG		750-500	Y
	Valve LP		750-501	Y
23.6	Burner Shelf		2189-113	
23.7	Male connector	Pkg of 5	303-315/5	Y
23.8	Flex Ball Valve Assembly		3-40-2098034	Y
23.9	Flex 12"		383-302A	Y
23.10	Pilot Bracket		2189-119	

Additional service part numbers appear on following page.

