



AMERICAN HEARTH

Renegade 40 See-Through Clean-Face  
Direct-Vent Fireplace  
WITH TRUFLAME TECHNOLOGY





## RENEGADE 40 SEE-THROUGH Direct-Vent Fireplace

The 40-inch Renegade Direct-Vent See-Through features a triple burner that creates a tall lively fire, accented with the Traditional Charred Logs and large glowing ember beds. This unit can be enjoyed in two rooms of any home. By adding the stainless steel outdoor kit, the unit can be installed on an exterior wall.

While the Renegade is a visually stunning fireplace, what you can't see makes it even more impressive. TruFlame Technology - featuring a ceramic catalyst - minimizes emissions while maximizing heat efficiency. This results in the most realistic flames, reminiscent of a wood burning fire.

External air shutter and damper controls allow your dealer to fine tune the flame, ensuring a beautiful fire.

## Liners & Logs

(ONE OF EACH REQUIRED)



Traditional Stone



Fire Cracked Brick



Black Porcelain



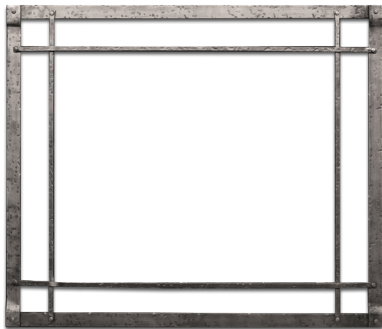
White Herringbone Brick



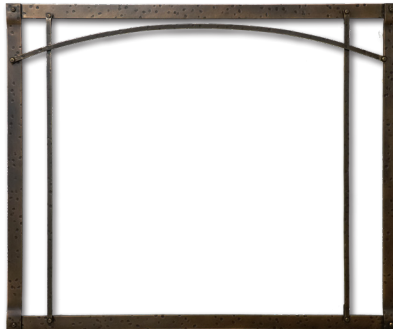
Traditional Charred Log Set

## Fronts & Other Accessories

(OPTIONAL)



Forged Window Frame shown with Rectangle Inset, both in Forged Iron

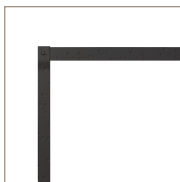


Forged Window Frame shown with Arched Inset, both in Oil-Rubbed Bronze



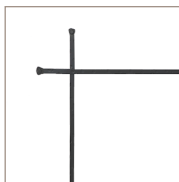
Beveled Window Frame in Brushed Nickel

Forged Window Frame



Black

Inset\*



Black

Beveled Window Frame



Textured Black



Oil-Rubbed Bronze

Decorative Andirons



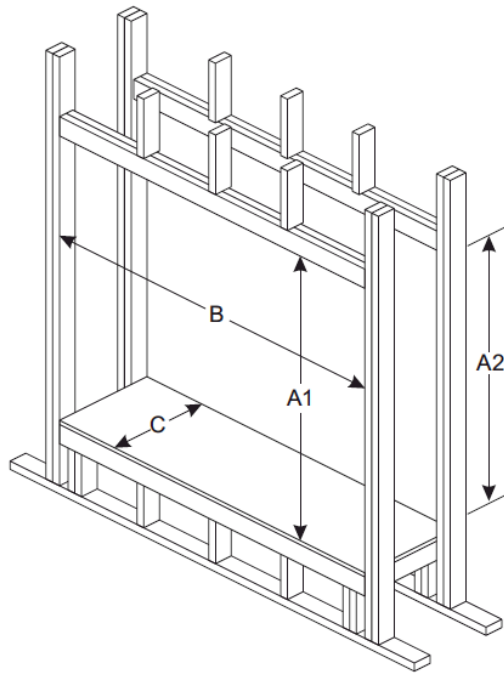
Black

\*Rectangle and Arched Insets available in Black, Forged Iron, and Bronze

BTUs (Max/Min)	
Natural	60,500 / 16500*
LP	55,000 / 26,000*

\*Minimum with front burner only

Specifications	
Type of Gas	Natural or LP
Iron Pipe Size (N.P.T.)	1/2-inch
Ignition System	Multifunction Remote
Venting	5 x 8 inch



Framing Dimensions (in inches)		
	Unit Only	With Outdoor Kit
A1	52 1/4	52 1/4
A2	52 1/4	55 1/4
B	68	68
C	19 1/2	21 1/2

### Warranty

10-year limited warranty on combustion chamber, limited lifetime on glass. All other parts carry a three-year limited warranty. All remote controls carry a one-year limited warranty.

Member of the following industry associations:



This appliance is design-certified to the ANSI standard by:



Empire is committed to continuous product improvement; specifications are subject to change without notice. Dimensions in this brochure are approximate; read and follow the framing dimensions in the owners manual supplied with your Empire product. Flame size, shape, and color will vary from photos.

Empire Comfort Systems Inc.  
918 Freeburg Ave.  
Belleville, IL 62220-2623  
info@empirecomfort.com  
AH-01050 2/01/20

The Empire Comfort Systems and American Hearth names and logos are registered U.S. trademarks.