

Direct-Vent Fireplaces

Renegade DVCT40CBP

Spec Sheet



AMERICAN HEARTH



GLASS VIEWING AREA

30 3/8" W x 36 H

ACTUAL DIMENSIONS

57 1/4" W x 49 1/2" H x 25 9/16" D

INCLUDES

- Fine Mesh Barrier
- Non-Combustible Board
- Multi-Function remote to control the:
 - Front and rear burner 6-step variable flame height
 - Independent rear burner on/off
- TruFlame Technology
 - Catalyst allows large flame, extensive ember bed and clean burn

REQUIRES

- Liner
- Log Set: Traditional Charred

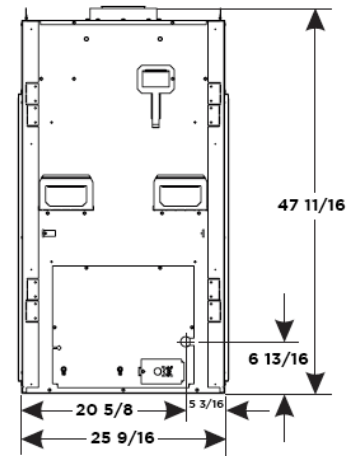
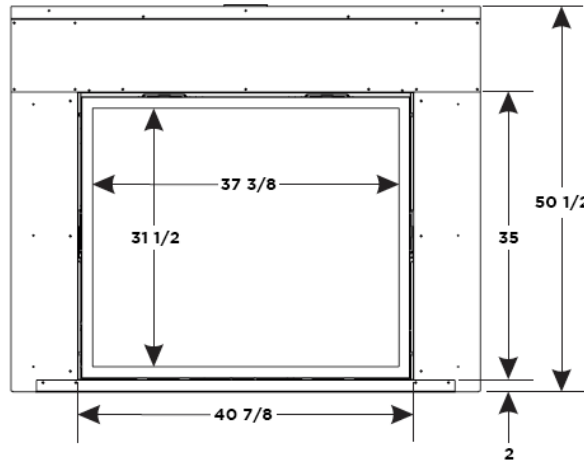
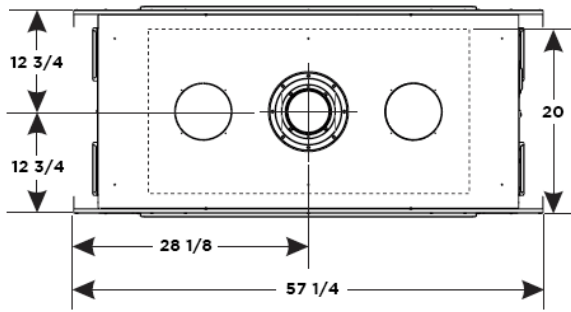
TECHNICAL INFORMATION

- Maximum heat output:
 - 60,500 BTUs (Nat), 55,000 BTUs (LP)
- Weight: 397 lb.
- Clearances
 - Back: N/A
 - Side Wall: 3"
 - Floor: 0"
 - Top of Unit: 24"
 - Top Framing Edge: 0"
- Type of Gas: LP or Natural
- Iron Pipe Size: 1/2-inch
- Ignition Systems: Multi-Function
- Vent Size: 5 x 8-inch Top Vent Only (12-inch rise before horizontal)

FIELD INSTALLED ACCESSORIES

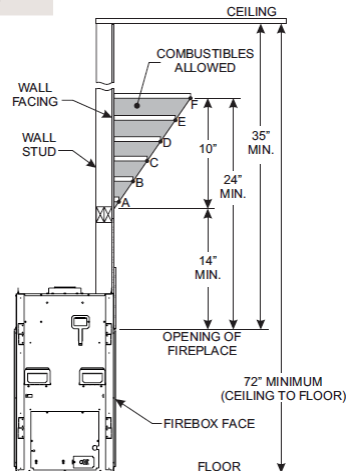
- Liners: Black Porcelain; Traditional Stone; Fire Cracked Brick; Herringbone
- Andirons: Matte Black

DVCT40CSP



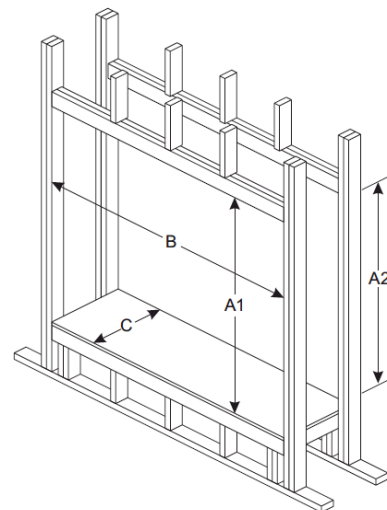
Clearance to Combustibles (in inches)

	Distance from Wall Facing	Distance from Top of Opening
A	2	14
B	4	15 5/8
C	6	17 5/16
D	8	19
E	10	20 5/8
F	12	24



Framing Dimensions (in inches)

	Unit Only	With Outdoor Kit
A1	52 1/4	52 1/4
A2	52 1/4	55 1/4
b	68	68
C	19 1/2	21 1/2



Floor Install

Empire is committed to continuous product improvement; specifications are subject to change without notice. Dimensions in this brochure are approximate; read and follow the framing dimensions in the owners manual supplied with your Empire product. Flame size, shape, and color will vary from photos. Our mantels feature natural veneers and hand-rubbed finishes – wood grain and color will vary. Adjust light levels and use "natural light" incandescent bulbs to enhance the dramatic look for your wooden mantel.

Member of the following industry associations:



This appliance is design-certified to the ANSI standard by:



SINCE 1932

Empire Comfort Systems Inc.
918 Freeburg Ave.
Belleville, IL 62220-2623
info@empirecomfort.com

02/20

The Empire Comfort Systems and White Mountain Hearth names and logos are registered U.S. trademarks.