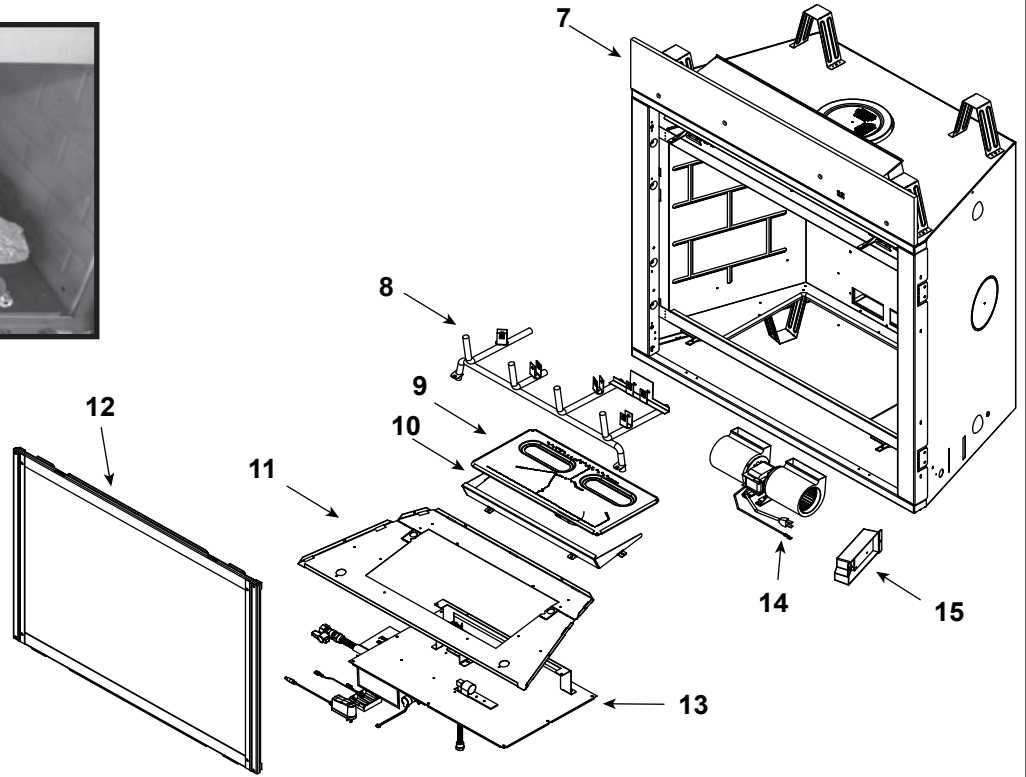


Log Set Assembly

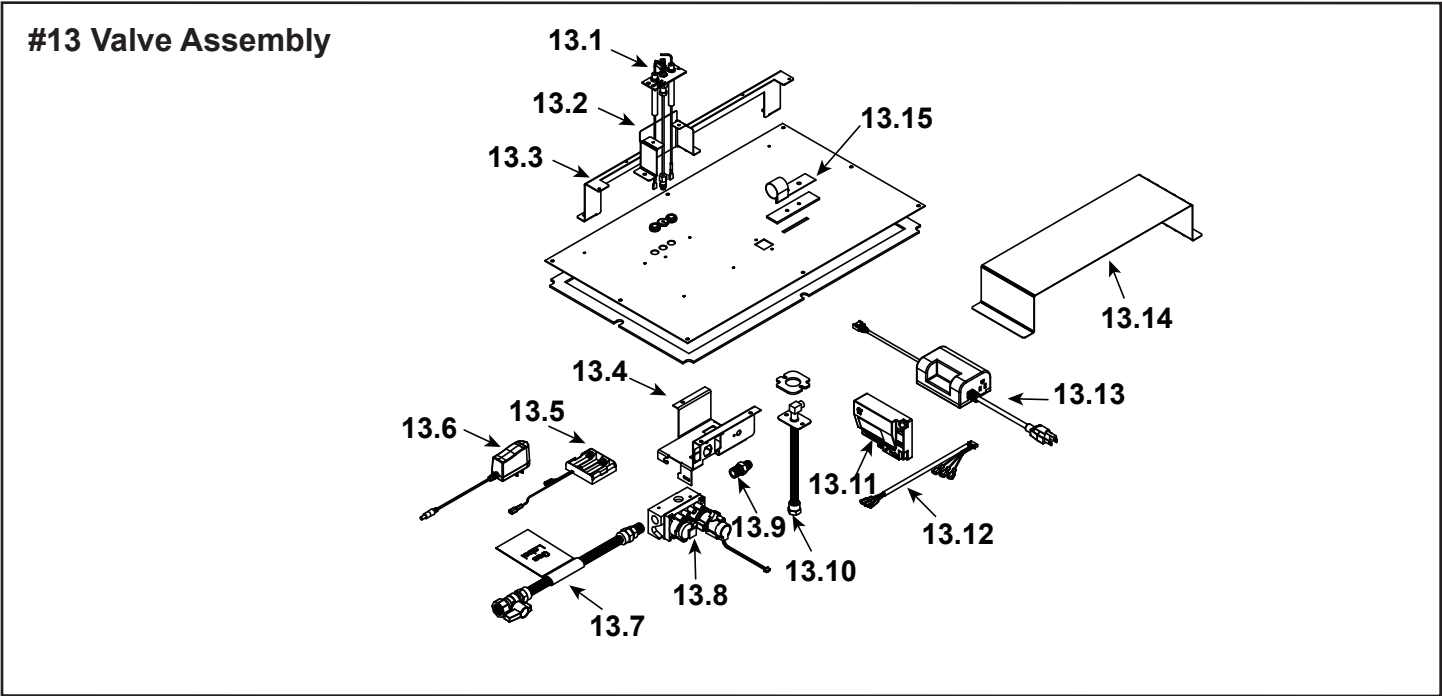


IMPORTANT: THIS IS DATED INFORMATION. Parts must be ordered from a dealer or distributor. **Hearth and Home Technologies** does not sell directly to consumers. Provide model number and serial number when requesting service parts from your dealer or distributor.



Stocked at Depot

ITEM	DESCRIPTION	COMMENTS	PART NUMBER	Stocked at Depot
	Log Assembly		LOGS-4236	Y
1	Log #1	No longer available, Must order complete assembly	SRV2208-702	
2	Log #2		SRV2208-703	
3	Log #3		SRV2208-704	
4	Log #4		SRV2208-073	
5	Log #5		SRV2208-705	
6	Log #6		SRV2208-706	
7	Insulation Board		2166-136	
8	Grate Assembly		2208-015	
9	Burner Pan Assembly		2208-007	Y
10	Burner Skirt		2208-102	
11	Base Pan		2208-100	
12	Glass Assembly		GLA-6GLX	Y
13	Valve Assembly	Refer to valve page		
14	Blower Assembly		GFK160B	
15	Junction Box (Plastic)		4021-013	Y
	Surround Assembly		2166-019	



IMPORTANT: THIS IS DATED INFORMATION. Parts must be ordered from a dealer or distributor. **Hearth and Home Technologies does not sell directly to consumers.** Provide model number and serial number when requesting service parts from your dealer or distributor.

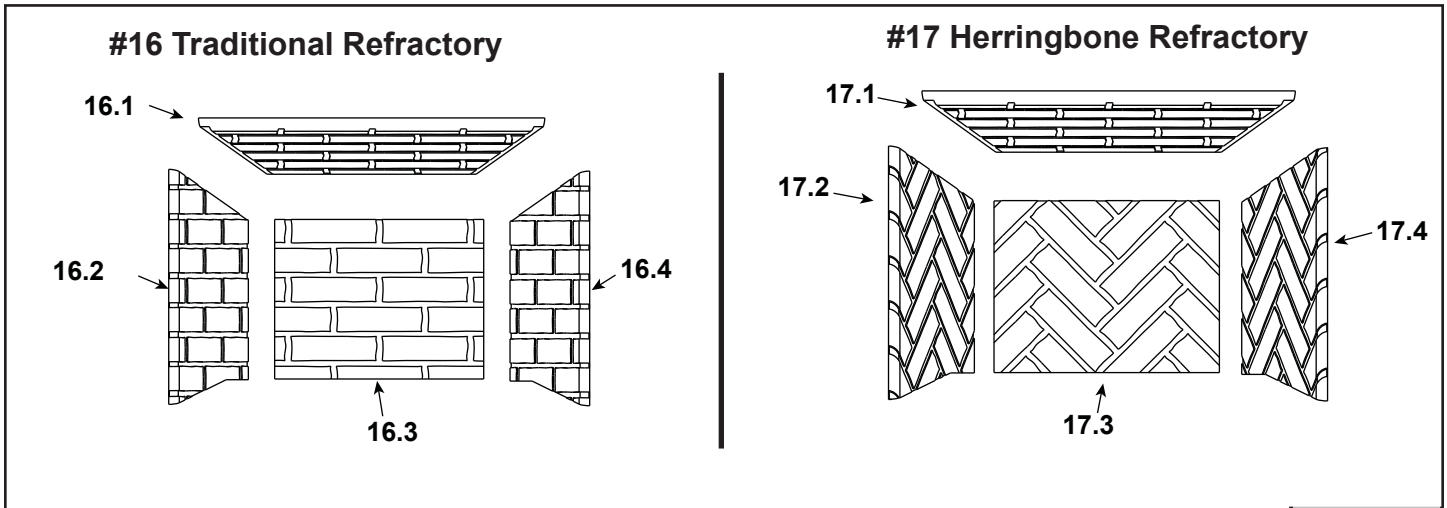


Stocked at Depot

ITEM	DESCRIPTION	COMMENTS	PART NUMBER	
13.1	Pilot Assembly - NG		2208-012	Y
	Pilot Assembly - LP		2208-013	Y
	Pilot Tube		SRV485-301	Y
13.2	Pilot Bracket		2208-101	
13.3	Burner Leg		2208-106	
13.4	Valve Bracket		2118-104	
13.5	Battery Pack**		2166-323	Y
13.6	Transformer, 6v Wall		2326-131	Y
13.7	Flex Ball Valve Assembly		302-320A	Y
13.8	Valve - NG		2166-302	Y
	Valve - LP		2166-303	Y
13.9	Male Connector	Pkg of 5	303-315/5	Y
13.10	Bulkhead w/flex		7000-156	Y
	Control Assembly		SRV2208-010	Y
13.11	Module		2166-307	Y
13.12	Wire Harness		2166-304	Y
13.13	Auxiliary Box		2166-325	Y
13.14	Heat Shield		2208-119	
13.15	Shutter Bracket Assembly		2118-121	Y
	Orifice (.0124) - NG		582-8124	Y
	Orifice (#50C) - LP		582-850	Y

**Fuse for battery pack can be sourced locally, not a warranty item. Specs are 250v, 1A fuse, 3/4" long

Additional service part numbers appear on following page.



IMPORTANT: THIS IS DATED INFORMATION. Parts must be ordered from a dealer or distributor. **Hearth and Home Technologies does not sell directly to consumers.** Provide model number and serial number when requesting service parts from your dealer or distributor.



Stocked at Depot

ITEM	DESCRIPTION	COMMENTS	PART NUMBER	
16	Traditional Refractory		SRV2360-080	
16.1	Refractory, Top	No longer available	SRV2208-713	
16.2	Refractory Side, Left	No longer available	SRV2208-711	
16.3	Refractory Back	No longer available	SRV2208-710	
16.4	Refractory Side, Right	No longer available	SRV2208-712	
17	Herringbone Refractory		SRV2360-081	
17.1	Refractory, Top	No longer available	SRV2208-717	
17.2	Refractory Side, Left	No longer available	SRV2208-715	
17.3	Refractory Back	No longer available	SRV2208-714	
17.4	Refractory Side, Right	No longer available	SRV2208-716	
	Clips, Hood	Pkg of 24	047-805-24	Y
	Flue Restrictor	Pre 0023875593	385-128	
		Post 0023875593	385-328	
	Gasket Assembly Includes: Burner Neck, Vent, Valve, LED, and Air Shutter Gaskets		2166-081	
	Glass Latch Assembly	Qty 4 req	2155-045	
	Lava Rock Bag Assembly		4040-094	
	Lava Rock		4021-297	
	Mineral Wool		14333B	
	Vermiculite (small)		28746	
	Remote		RC300-HTL	
	Conversion Kit NG		DCKVN-CNXT36	Y
	Conversion Kit LP		DCKVP-CNXT36	Y
	Orifice, Pilot NG		593-528	Y
	Orifice, Pilot LP		593-527	Y
	Regulator NG		NGK-DXV-50	Y
	Regulator LP		LPK-DXV-50	Y