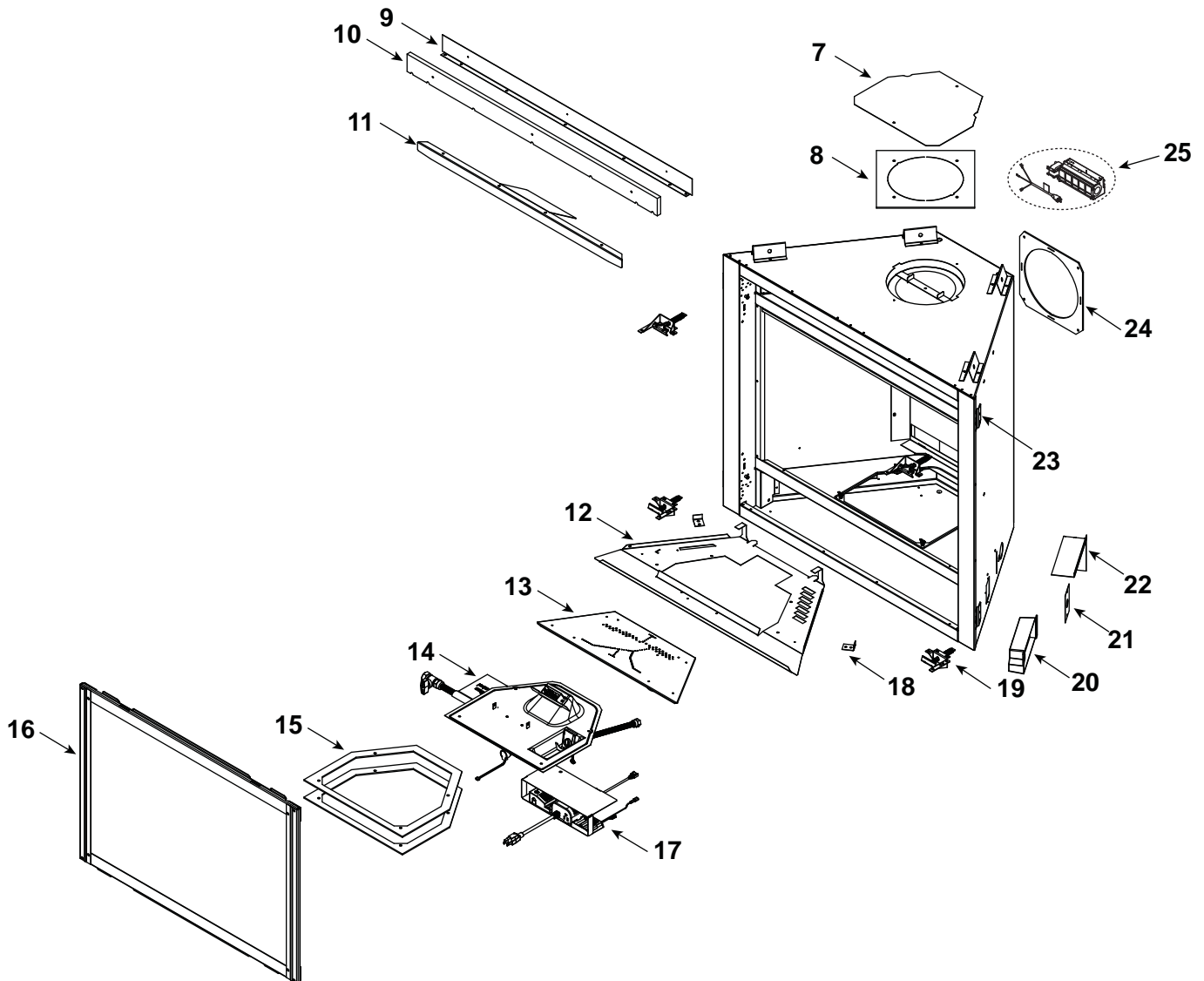
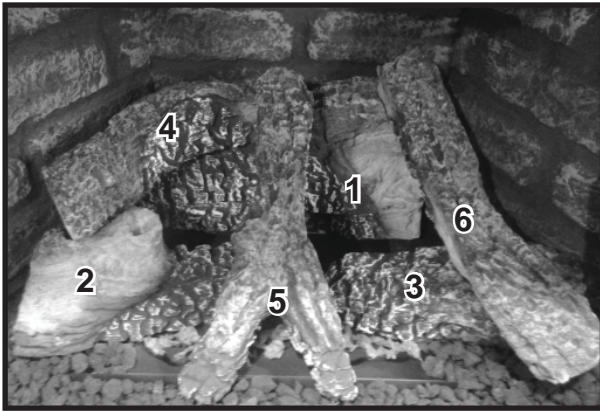


Log Set Assembly



Part number list on following page.

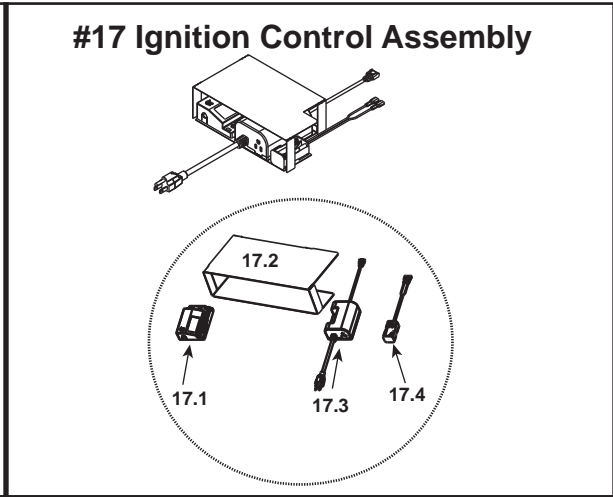
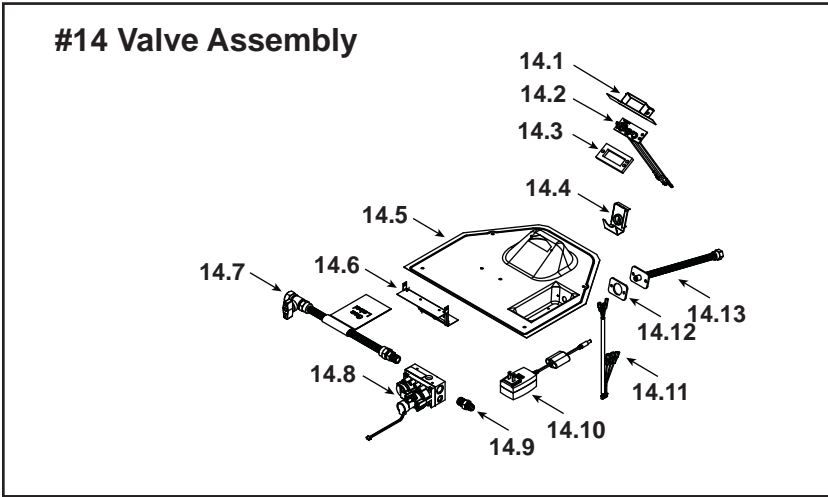
IMPORTANT: THIS IS DATED INFORMATION. Parts must be ordered from a dealer or distributor. **Hearth and Home Technologies does not sell directly to consumers.** Provide model number and serial number when requesting service parts from your dealer or distributor.



**Stocked
at Depot**

ITEM	DESCRIPTION	COMMENTS	PART NUMBER	
	Log Assembly		SRV2385-070	Y
1	Rear Log		SRV2384-071	
2	Front Left Log		SRV2381-072	
3	Front Right Log		SRV2385-073	
4	Top Log		SRV2380-074	
5	Middle Log		SRV2385-075	
6	Right Upper Log		SRV2385-076	
7	Intake Cover Plate		2166-450	
8	Intake Cover Gasket		4031-239	
9	Dry Wall Lip		4055-893	
10	Non Combustible Board		4055-895	
11	Glass Baffle		2385-109	
12	Hearth Pan		2385-111	
13	Burner Assembly (NG & LP)		2385-007	Y
14	Valve Assembly NG		Refer to valve page	
15	Gasket, Valve Plate	Qty 2 req	4055-135	
16	Glass Frame Assembly		GLA2385-018	Y
17	Ignition Control Assembly		Refer to valve page	
18	Glass Retainer	Qty 2 req	060-235-25	
19	Glass Latch Assembly	Qty 4 req	2382-400	Y
20	Junction Box		4021-013	Y
21	Cover Plate		4031-222	
22	Junction Box Shield		4055-888	
23	Nailing Flange	Qty 4 req	4044-161	
24	Back Gasket		4000-225	
25	Blower Assembly		4031-057	
	Power Cord		26648	
	Cord Clip		14218	
	Remote Transmitter		2166-321	
	Refractory, Back		4055-856	
	Refractory, Right Side		4055-859	
	Refractory, Left Side		4055-860	
	Refractory, top		4055-866	

Additional service parts on following page.



IMPORTANT: THIS IS DATED INFORMATION. Parts must be ordered from a dealer or distributor. **Hearth and Home Technologies does not sell directly to consumers.** Provide model number and serial number when requesting service parts from your dealer or distributor.



Stocked at Depot

ITEM	DESCRIPTION	COMMENTS	PART NUMBER	
14.1	Pilot Shield		2382-131	
14.2	Pilot Assembly NG		2090-012	Y
	Pilot Assembly LP		2090-013	Y
14.3	Pilot Gasket		4021-042	
14.4	Air Shutter Assembly		4055-202	Y
14.5	Seal Plate Assembly		2382-584	
14.6	Valve Bracket		4055-205	
14.7	Flex Ball Valve Assembly		302-320A	Y
14.8	Valve NG		2166-302	Y
	Valve LP		2166-303	Y
14.9	Male Connector	Pkg of 5	303-315/5	Y
14.10	Transformer		2326-131	Y
14.11	Wire Harness		2166-304	Y
14.12	Gasket, Bulkhead		4021-429	
14.12	Bulkhead W/Flex Tube		4021-512	Y
17	Ignition Control Assembly		SRV4055-964	Y
17.1	Control Module		2166-307	Y
17.2	Control Module Plate		4055-899	
17.3	AuxRC200		2166-325	Y
17.4	**Battery Pack		2166-323	Y
	Orifice NG (#37C)		582-837	Y
	Orifice LP (#52C)		582-852	Y
	Conversion Kit NG		DCKVN-NNXT-B	Y
	Conversion Kit LP		DCKVP-NNXT-B	Y
	Pilot Orifice NG		593-528	Y
	Pilot Orifice LP		593-527	Y
	Regulator NG		NGK-DXV-50	Y
	Regulator LP		LPK-DXV-50	Y