

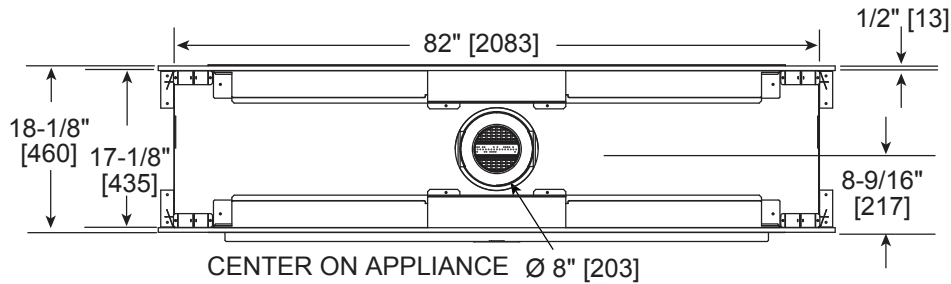


Please consult the manufacturer's installation manual for all details and requirements before making a final design layout decision.

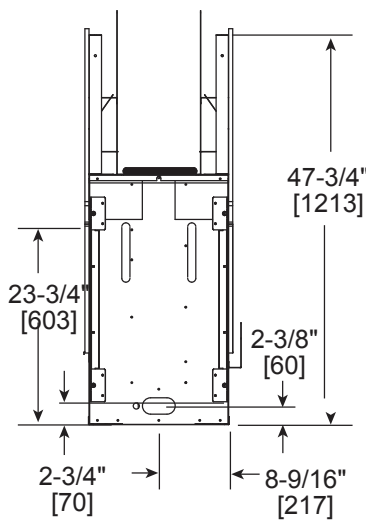
Crave8472ST

72" See-Through Direct Vent Gas Fireplace

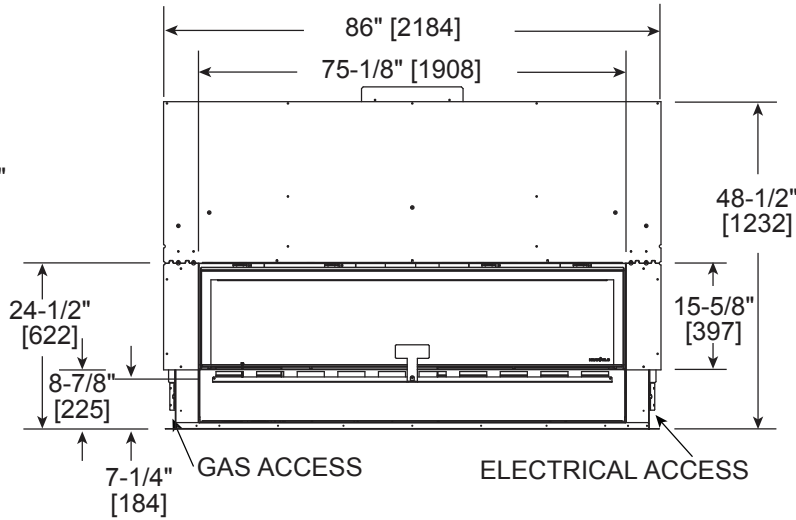
MODEL	FRONT WIDTH		BACK WIDTH		HEIGHT		DEPTH		GLASS SIZE
	Actual	Framing	Actual	Framing	Actual	Framing	Actual	Framing	
CRAVE8472ST	82	84-1/4	82	84-1/4	47-3/4	48	17-1/8	17	71-1/2 x 12-1/2



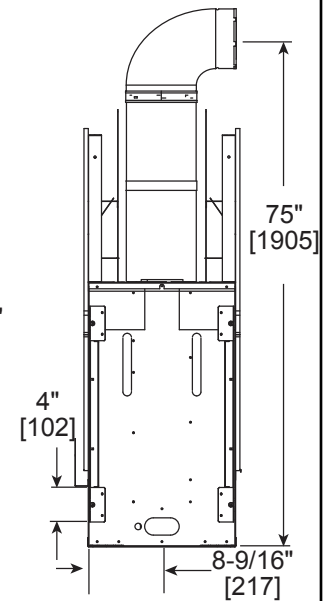
TOP



LEFT



FRONT

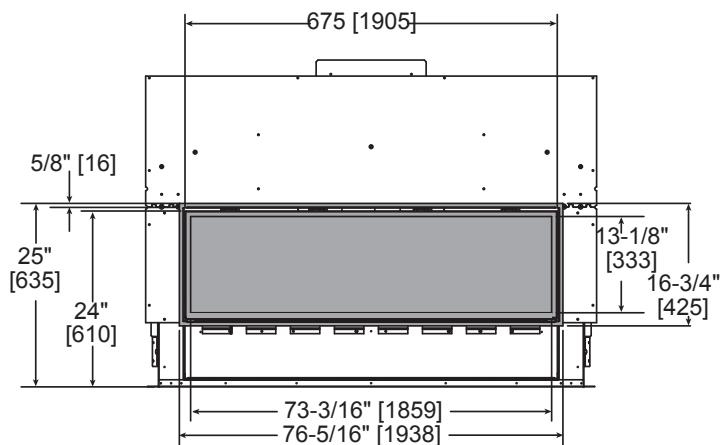


RIGHT

BEFORE FRAMING, PLEASE NOTE:

A minimum of 36" of vertical venting is required before attaching any elbow to the appliance.

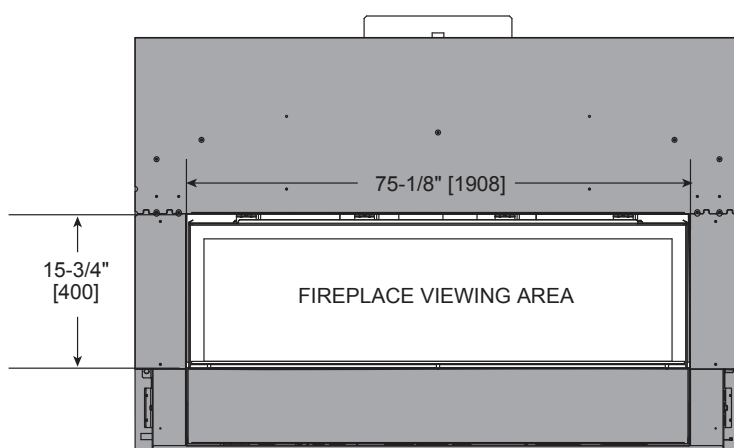
FRONT DIMENSIONS



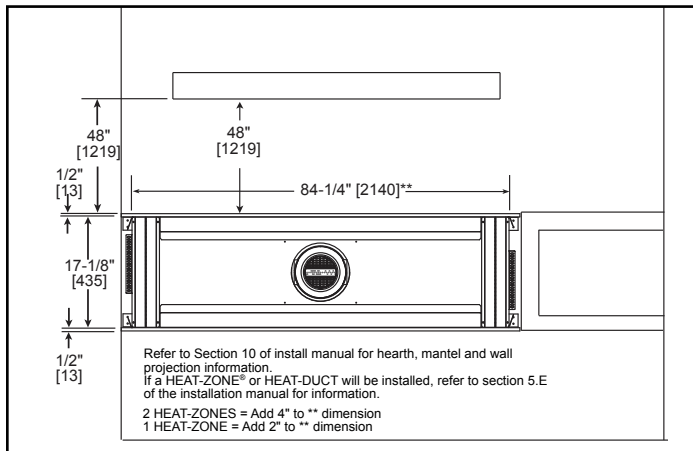
CLEAN FACE TRIM

- Rectangular holes on bottom of access panel should be covered.
- Approved for 0"-4" finishing material on inside fit method
- If finishing materials are 0-1" thick, the outer trim ring should be adjusted out so that the trim ring overlaps the finishing material. This is intended to provide the cleanest look.
- If finishing materials are 1-4" thick, install the trim ring all the way in and place finishing material over the trim ring.

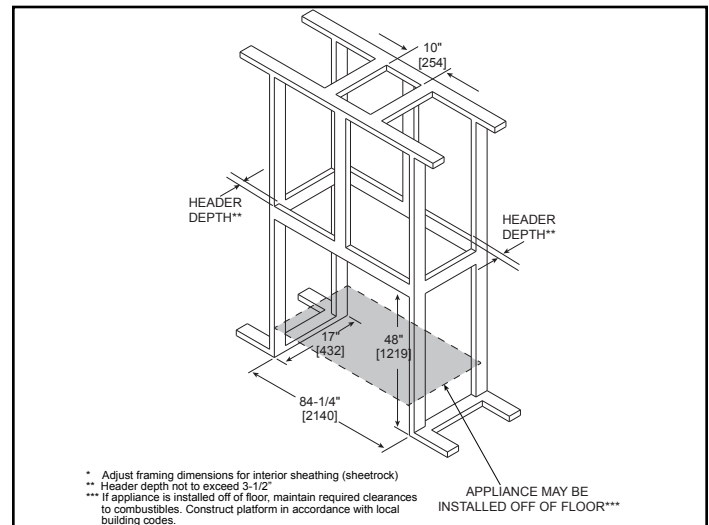
FINISHED OPENING DIMENSIONS

INSIDE FIT METHOD
(CLEAN FACE TRIM)

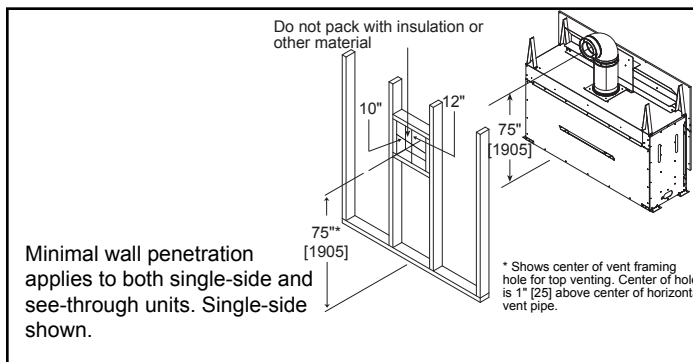
APPLIANCE LOCATION



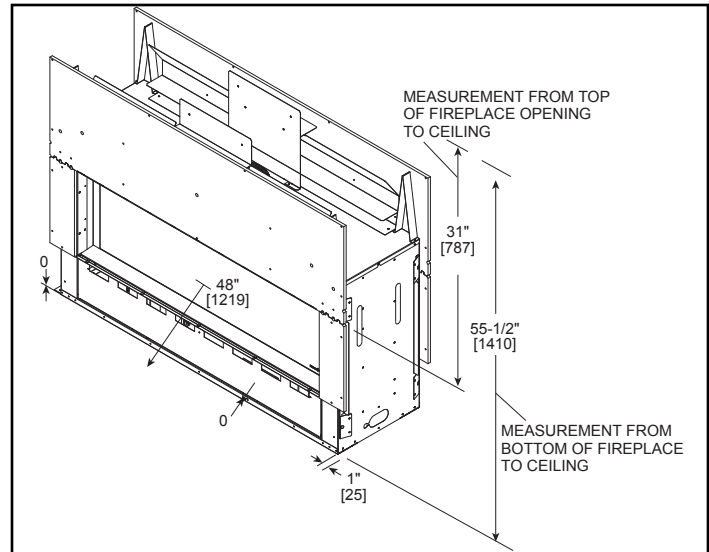
FRAMING DIMENSIONS



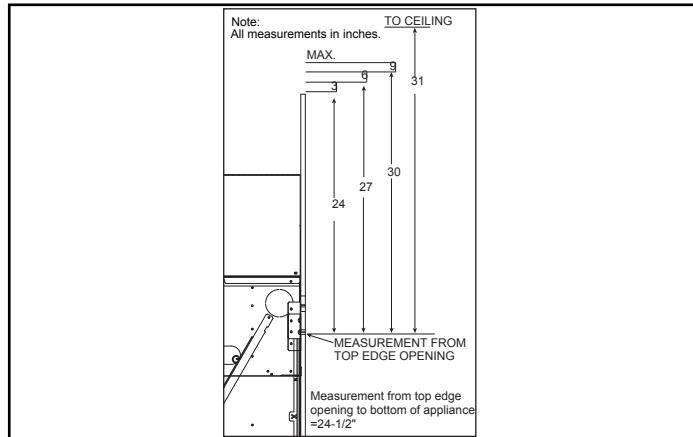
WALL PENETRATION



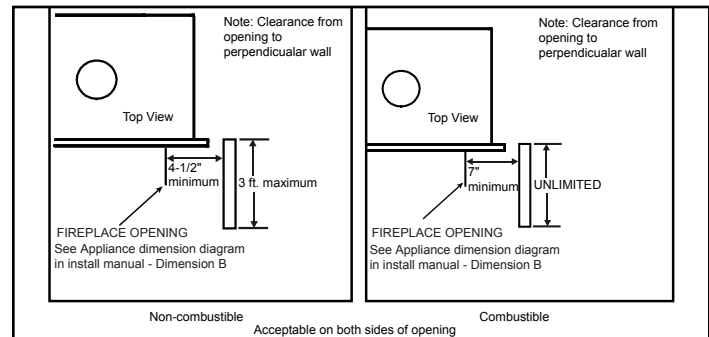
CLEARANCES TO COMBUSTIBLES



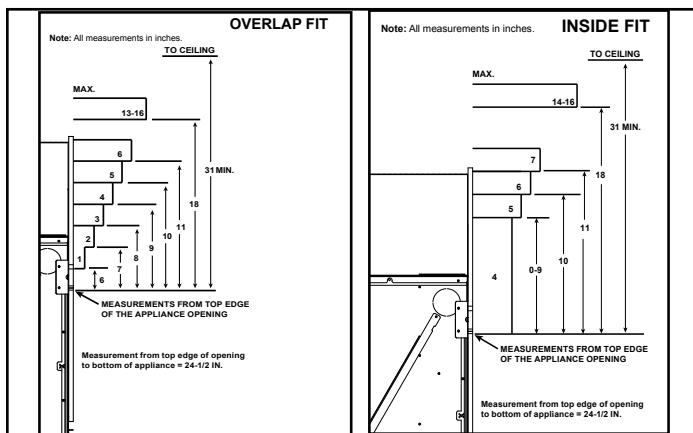
MANTEL PROJECTIONS - COMBUSTIBLE



MANTEL LEG/WALL PROJECTIONS



MANTEL PROJECTIONS - NON-COMBUSTIBLE



PRODUCT LISTING CODES	
US	ANSI Z21.88-2014
CAN	CSA 2.33-2014
US LISTED	UL307B

Product information provided is not complete and is subject to change without notice. Product installation must adhere strictly to instructions accompanying product to avoid risk of fire and potential injury.

Additional information can be found online at www.heatilator.com