

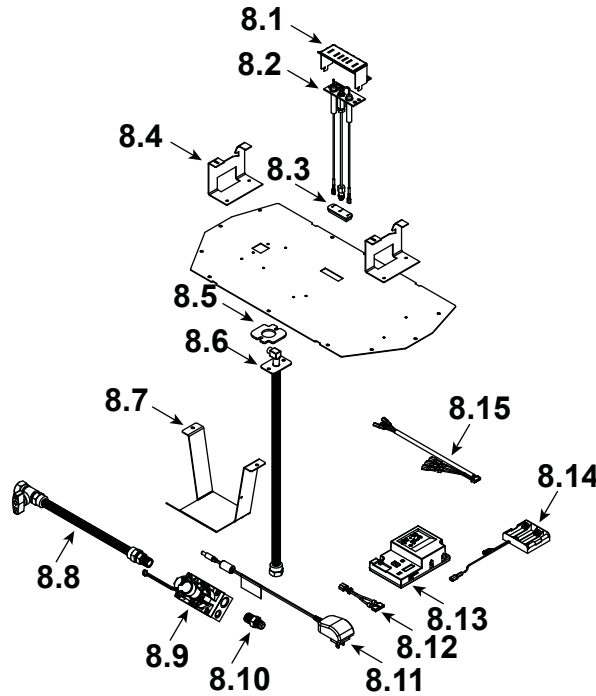
IMPORTANT: THIS IS DATED INFORMATION. Parts must be ordered from a dealer or distributor. **Hearth and Home Technologies does not sell directly to consumers.** Provide model number and serial number when requesting service parts from your dealer or distributor.



Stocked at depot

ITEM	DESCRIPTION	COMMENTS	PART NUMBER	
1	Non-Combustible Support		2492-104	
2	Top Fill		2492-135	
3	Non-Combustible Assembly		2492-079	
4	Base Pan		2492-113	
5	Burner Assembly		2492-007	Y
6	Glass Door Assembly		GLA-32HTL	Y
7	Lower Panel		2492-103	
8	Valve Assembly		Refer to Valve Page	
9	Junction box		4021-013	Y
10	Heat Shield, Components		2493-129	

#8 Valve Assembly



IMPORTANT: THIS IS DATED INFORMATION. Parts must be ordered from a dealer or distributor. **Hearth and Home Technologies does not sell directly to consumers.** Provide model number and serial number when requesting service parts from your dealer or distributor.



Stocked at Depot

ITEM	DESCRIPTION	COMMENTS	PART NUMBER	
8.1	Pilot Shield		2491-123	
8.2	Pilot Assembly NG		2106-169	Y
	Pilot Assembly LP		2106-170	Y
8.3	Grommet		2118-420	
8.4	Burner Support, Left and Right	1 Set	2491-169	
8.5	Gasket		2025-407	
8.6	Bulkhead W/Flex Tube		530-302A	Y
8.7	Valve Bracket		2491-153	
8.8	Flex Ball Valve Assembly, 12"		302-320A	Y
8.9	Valve NG		2166-302	Y
	Valve LP		2166-303	Y
8.10	Male Connector	Pkg of 5	303-315/5	Y
8.11	Transformer, 6 Volt Wall		2326-131	Y
8.12	Jumper Wire		2187-198	Y
8.13	Module, Control IFT		2326-130	Y
8.14	Battery Holder 4AA, IFT		2326-134	Y
8.15	Harness, IFT 6 Pin Wiring		2326-132	Y
	Orifice NG (#45C)		582-845	Y
	Orifice LP (1.25C)		582-8125	Y

Additional service part numbers appear on following page.

