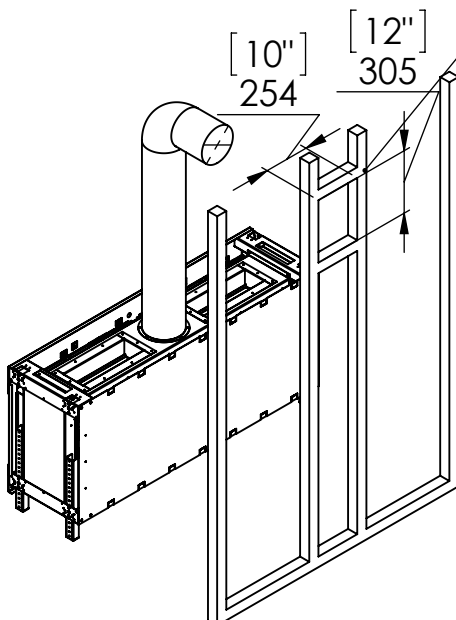


## Chimney Installation

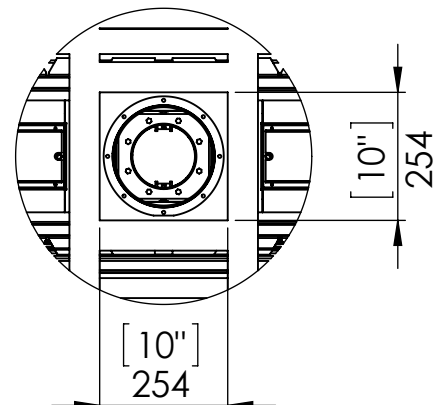
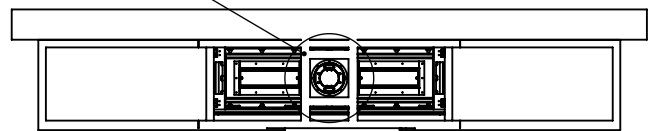
### Horizontal Termination

For 5 x 8 vent size create 10" x 12" vent termination opening

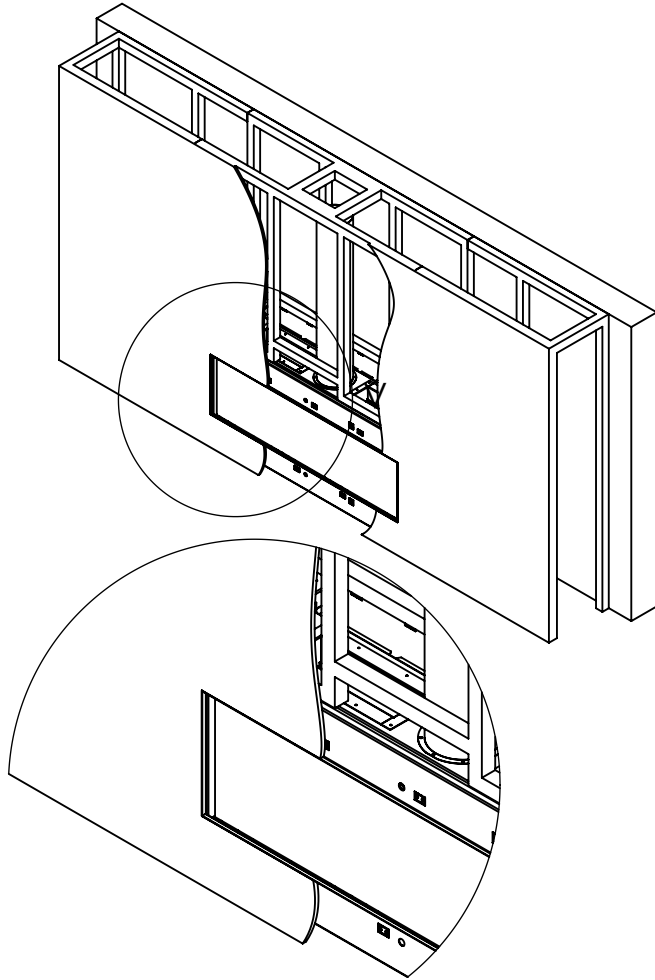


### Vertical Termination

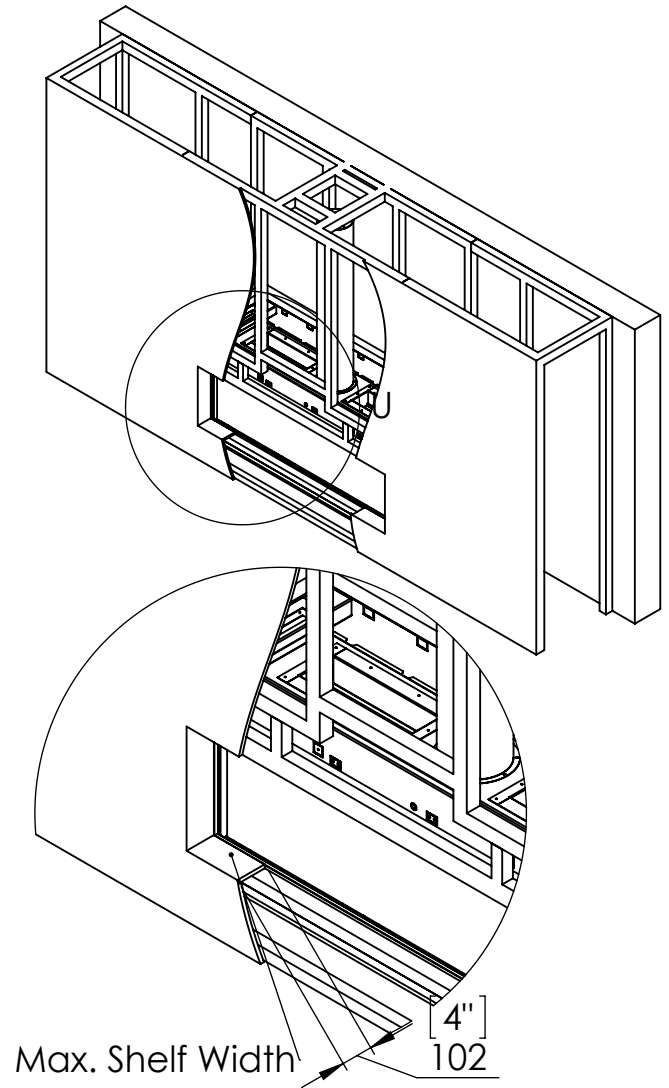
For 5 x 8 vent size create 10" x 10" vent termination opening



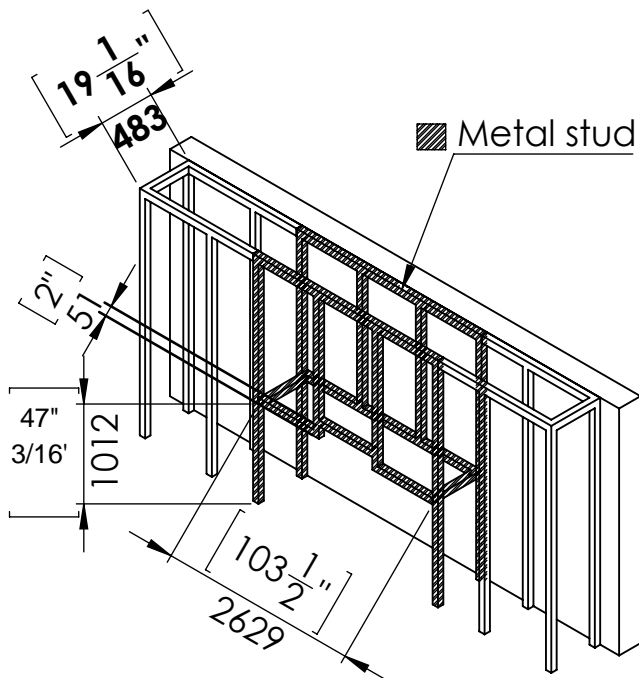
## Flat Installation



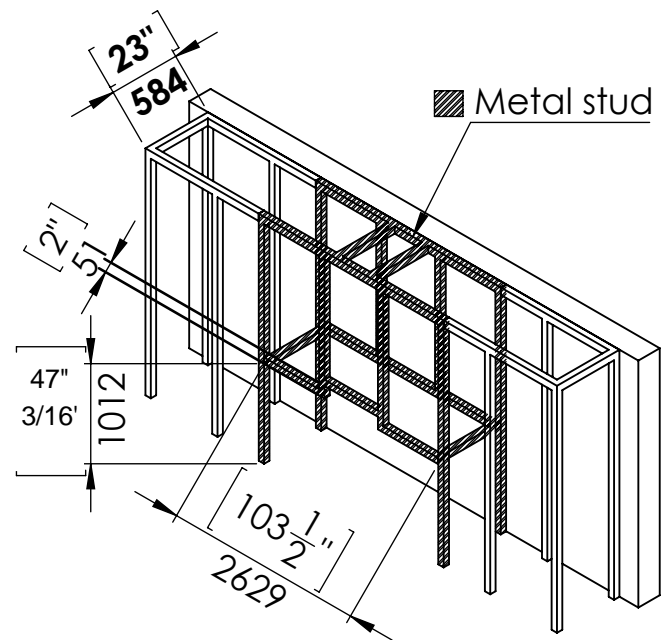
## L Shape Installation



### Step 1 - Basic Framing :

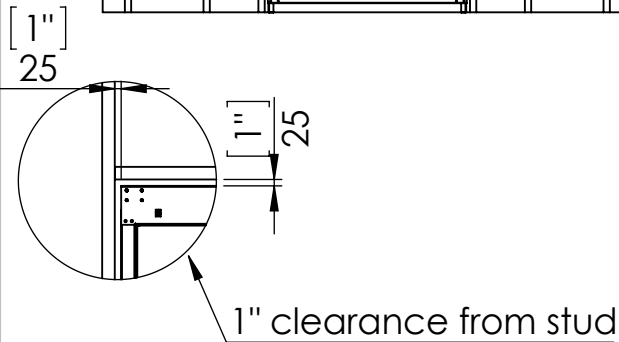
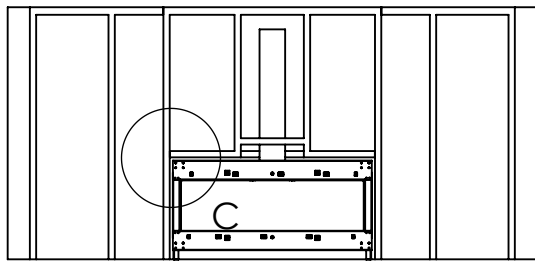
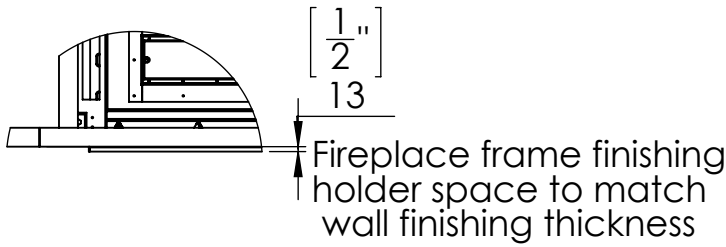
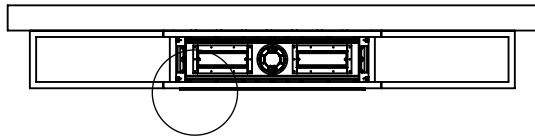


### Step 1 - Basic Framing :

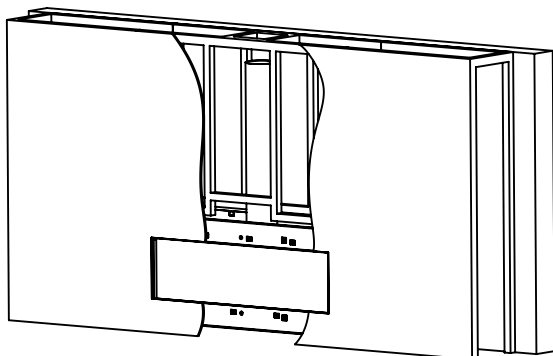


## Flat Installation

Step 2 -Positioning the Fireplace:

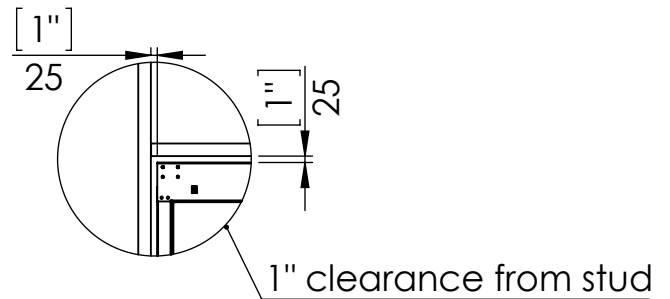
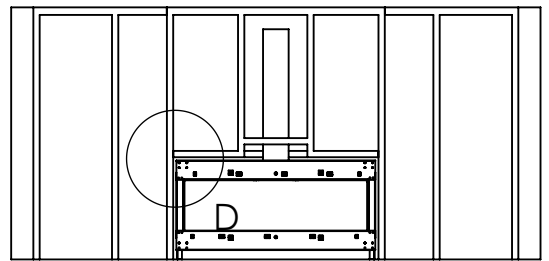
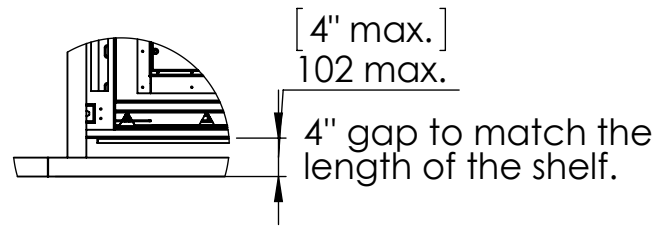
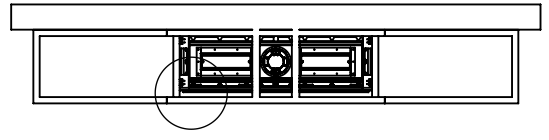


Last Step - Finishing The Fireplace Wall:

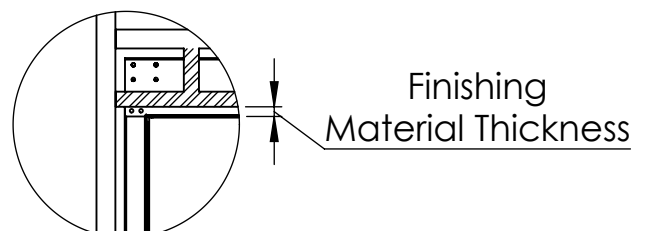
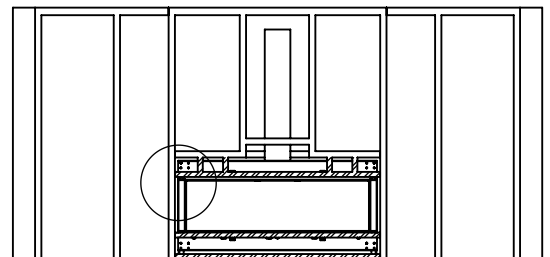


## L Shape Installation

Step 2 -Positioning the Fireplace:

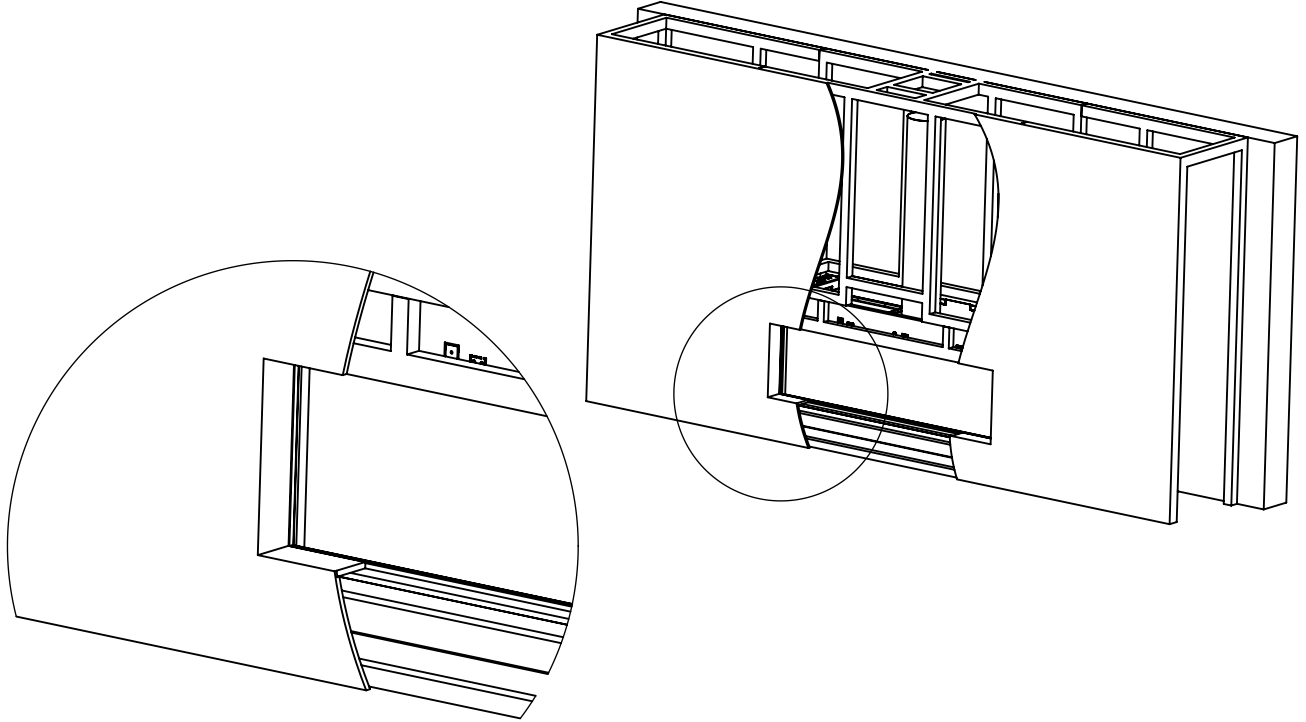


Step 3 - Framing Front Studs For L Shape:



## L Shape Finishing Install

Last Step - Finishing The Fireplace Wall:



## Specifications for Appliance FLARE FRONT 100 EH

Factor	NG	LPG
Burner Type	55,105,55	55,105,55
Orifice	650,1000,650	180,260,180
BTU Max.	60000	62000
BTU min.	32500	25500
Kw/h	17.5k	17.5k
Chimney DIA.	5X8	5X8
Manifold Pressure[w.c]	4.4	7.4
Efficiency rate	82	78
Glass Size Length\Width	2450 X 767 mm	96" 7/16 X 30" 5/16
Appliance Weigh	310 kg	684 lbs