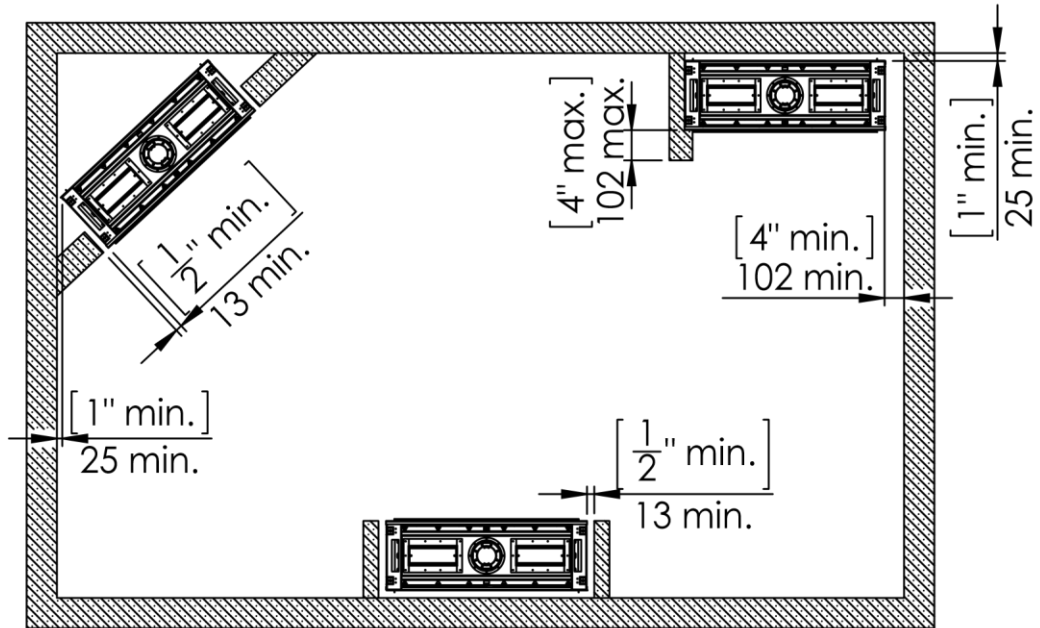


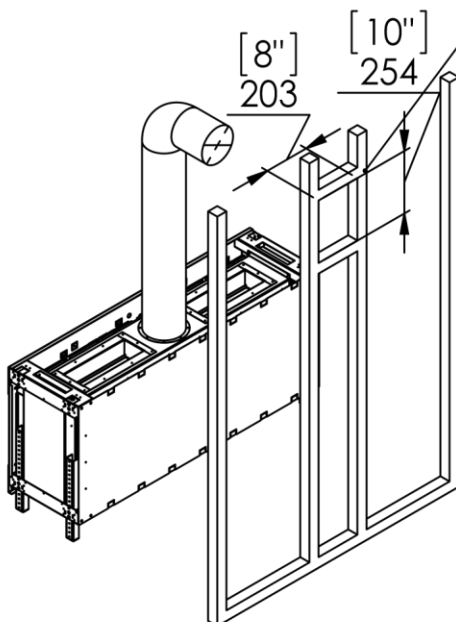
Telescopic Leg Range  
(from bottom of glass):  
9" - 19"



## Chimney Installation

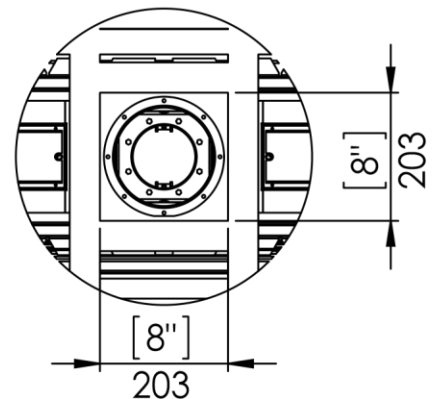
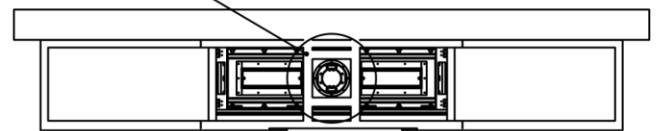
### Horizontal Termination

For 4 x 6 vent size create 8" x 10" vent termination opening

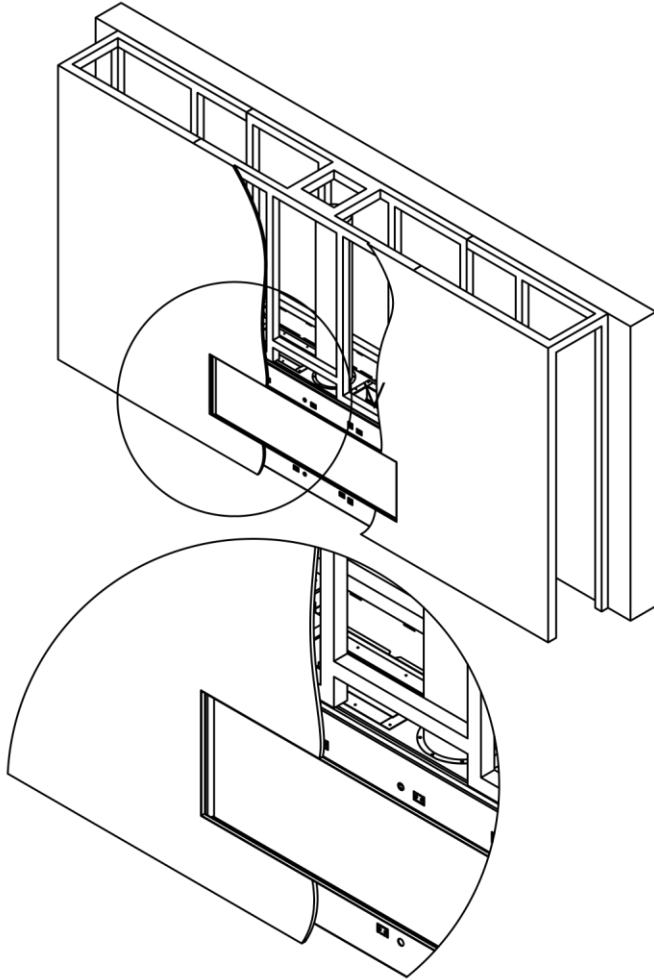


### Vertical Termination

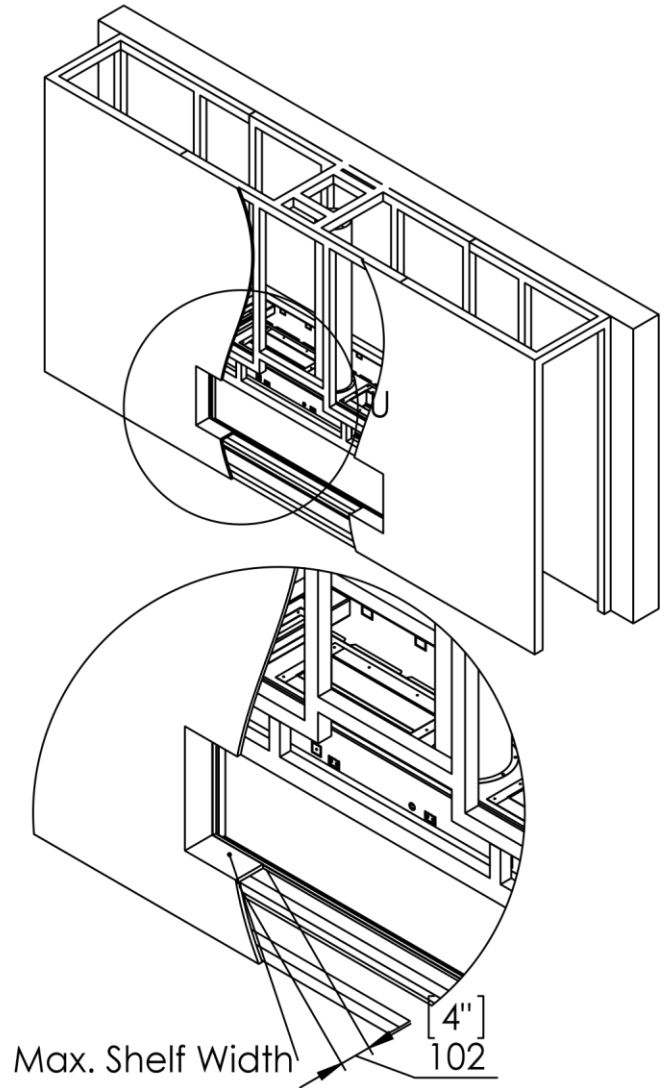
For 4 x 6 vent size create 8" x 8" vent termination opening



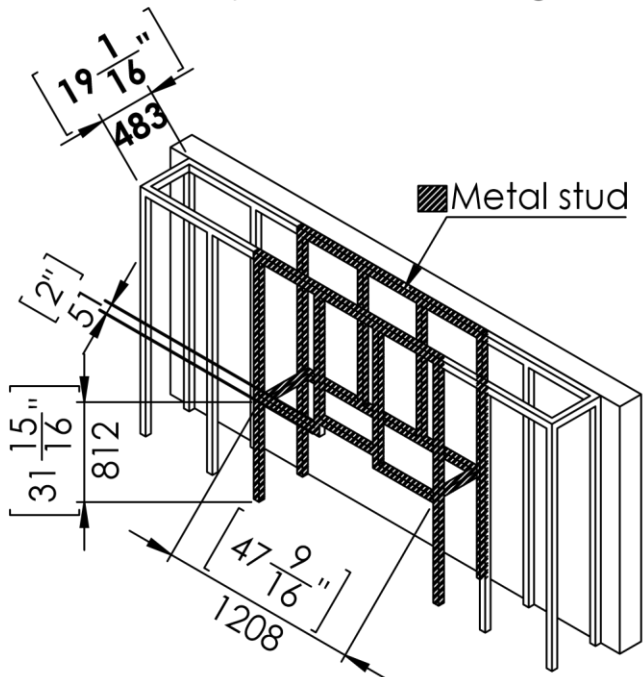
## Flat Installation



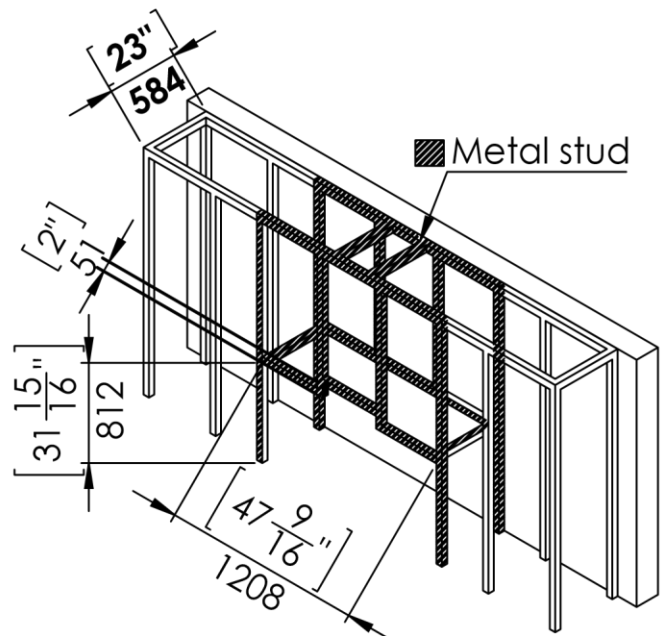
## L Shape Installation



### Step 1 - Basic Framing :

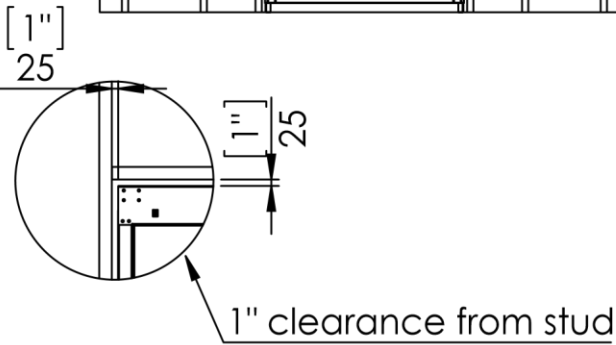
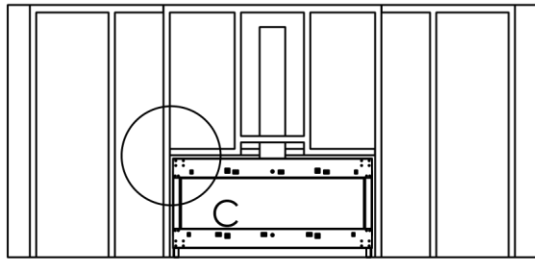
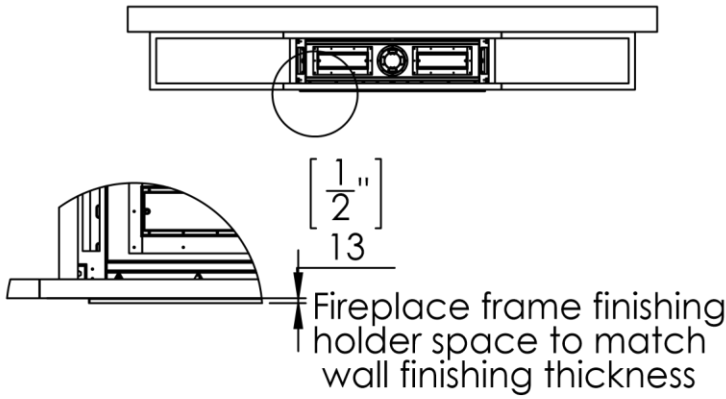


### Step 1 - Basic Framing :

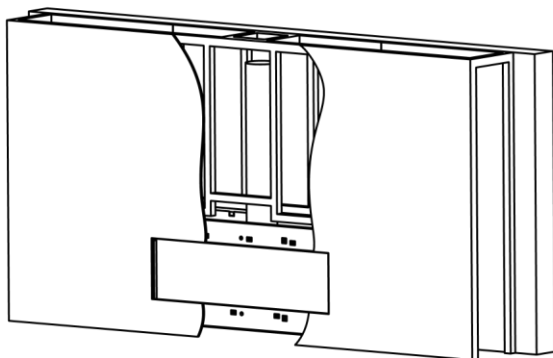


## Flat Installation

Step 2 -Positioning the Fireplace:

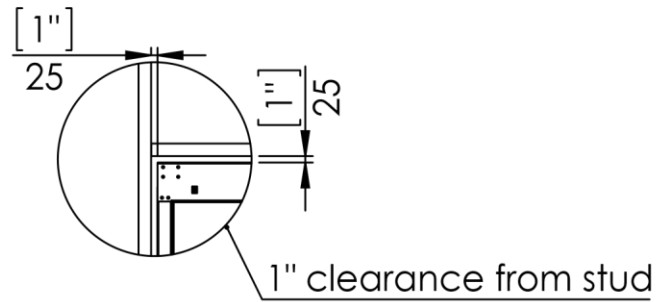
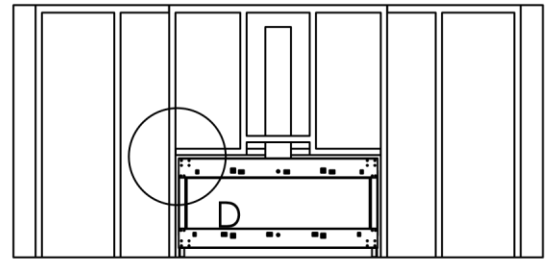
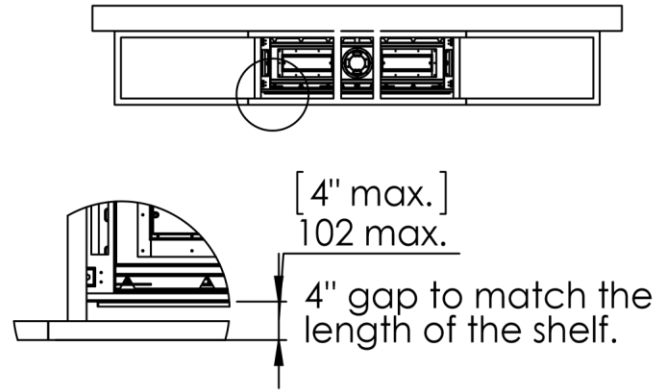


Last Step - Finishing The Fireplace Wall:

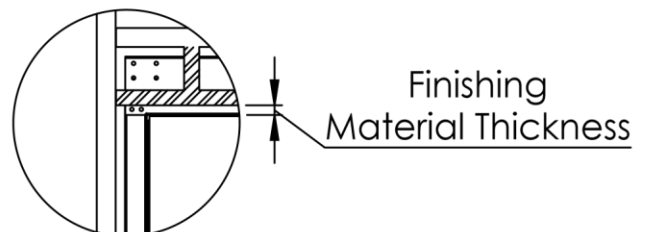
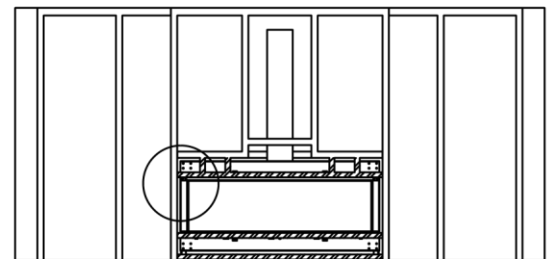


## L Shape Installation

Step 2 -Positioning the Fireplace:

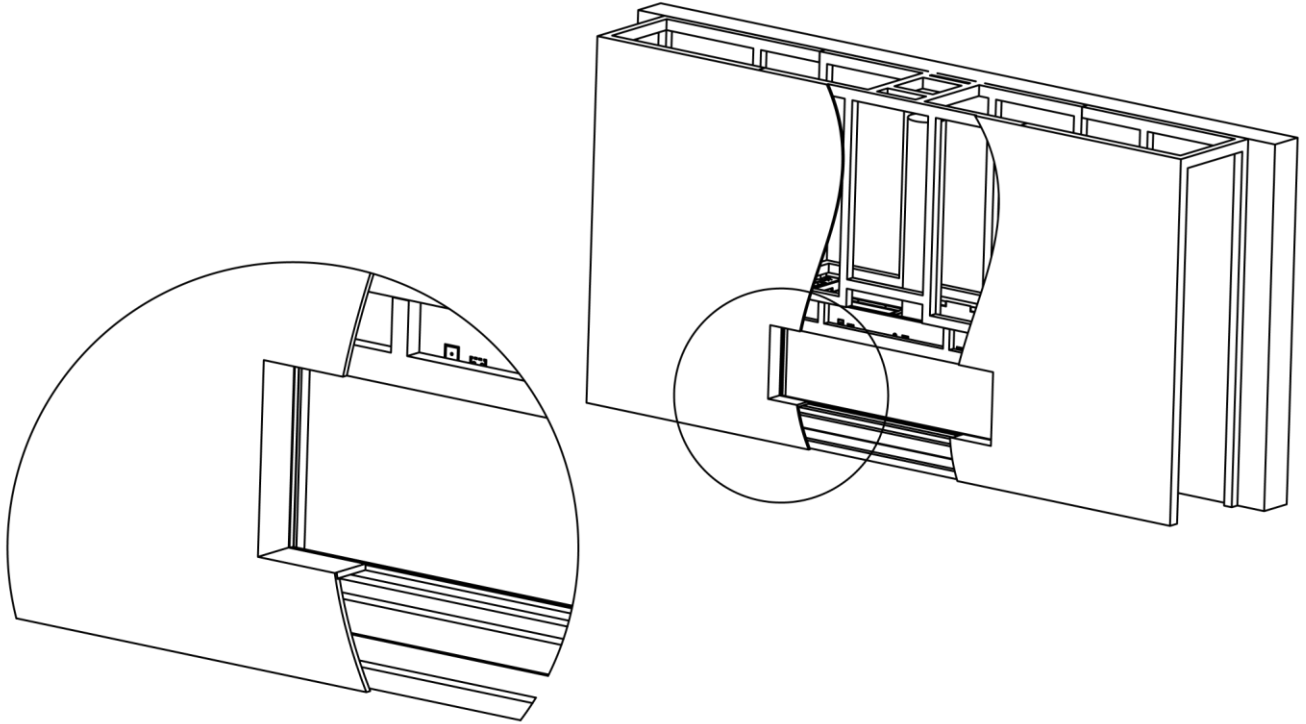


Step 3 - Framing Front Studs For L Shape:



## L Shape Finishing Install

Last Step - Finishing The Fireplace Wall:



## Specifications for Appliance Flare Front 45

Factor	NG	LPG
Burner Type	80	80
Orifice	1000	260
BTU Max.	36800	26300
BTU min.	22000	17750
Kw/h	10.8k	7.7k
Chimney DIA.	4x6	4x6
Manifold Pressure[w.c]	4.7	10.4
Efficiency rate	82	83
Glass Size Length\Width	1030 X 420 mm	40" 9/16 X 16" 9/16'
Appliance Weigh	110Kg	242lb