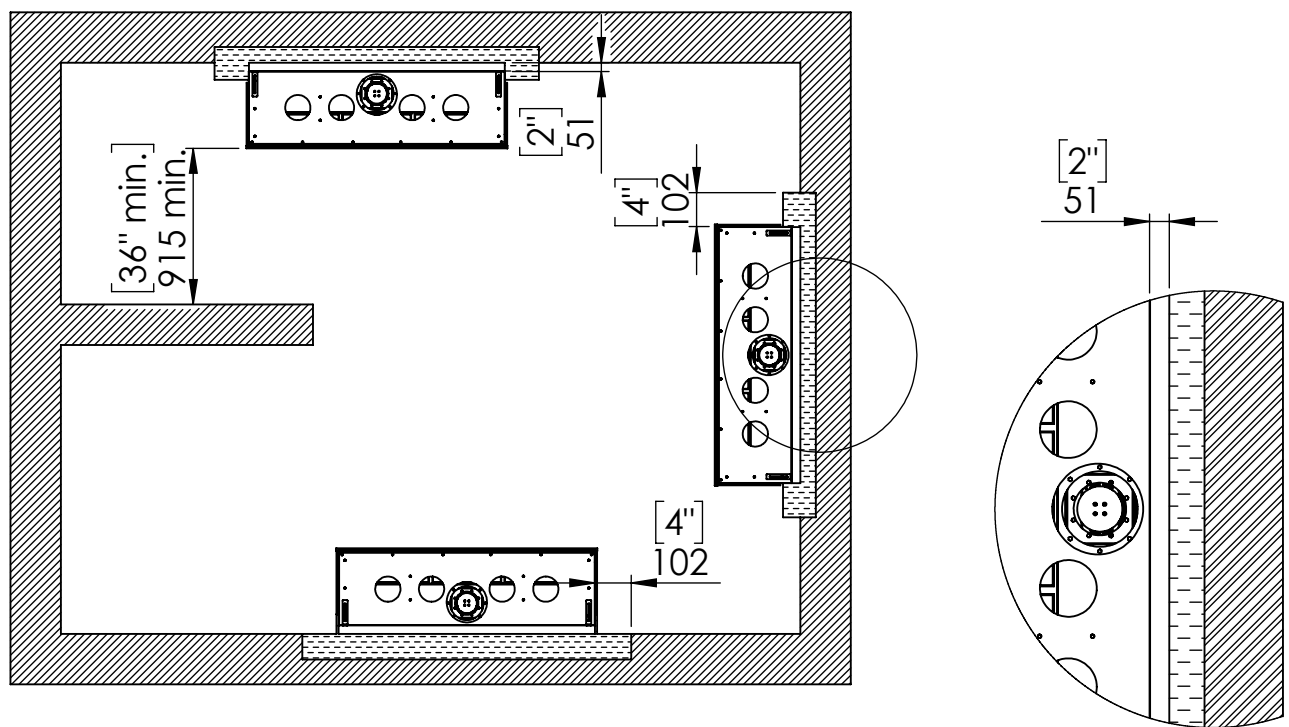




Specifications for Appliance Flare Double Corner 100H

Factor	NG	LPG
Burner Type	55,105,55	55,105,55
Orifice	550,1200,550	180,260,180
BTU Max.	60000	60000
BTU min.	32500	25500
Kw/h	17.5k	17.5k
Chimney DIA.	5X8	5X8
Manifold Pressure[w.c]	4.4	7.4
Efficiency rate	81	76
Glass Size Length\Width	2520.5 X 620 mm	99" 1/4 X 24" 7/16'
Appliance Weigh	280Kg	617lb

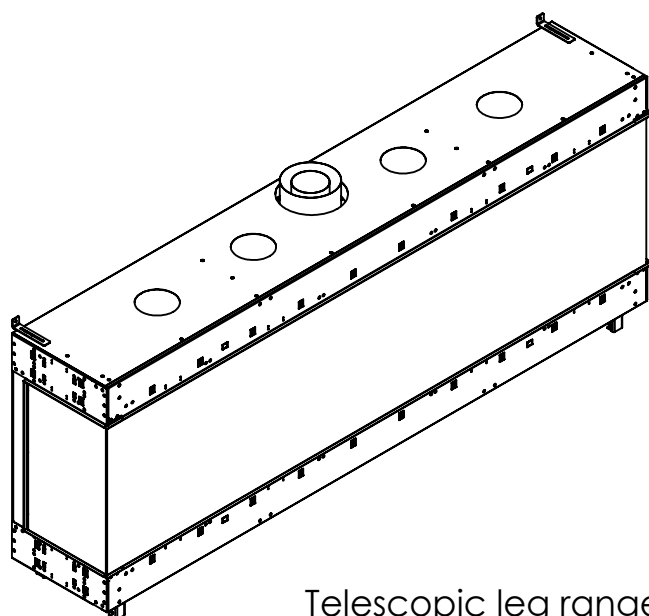
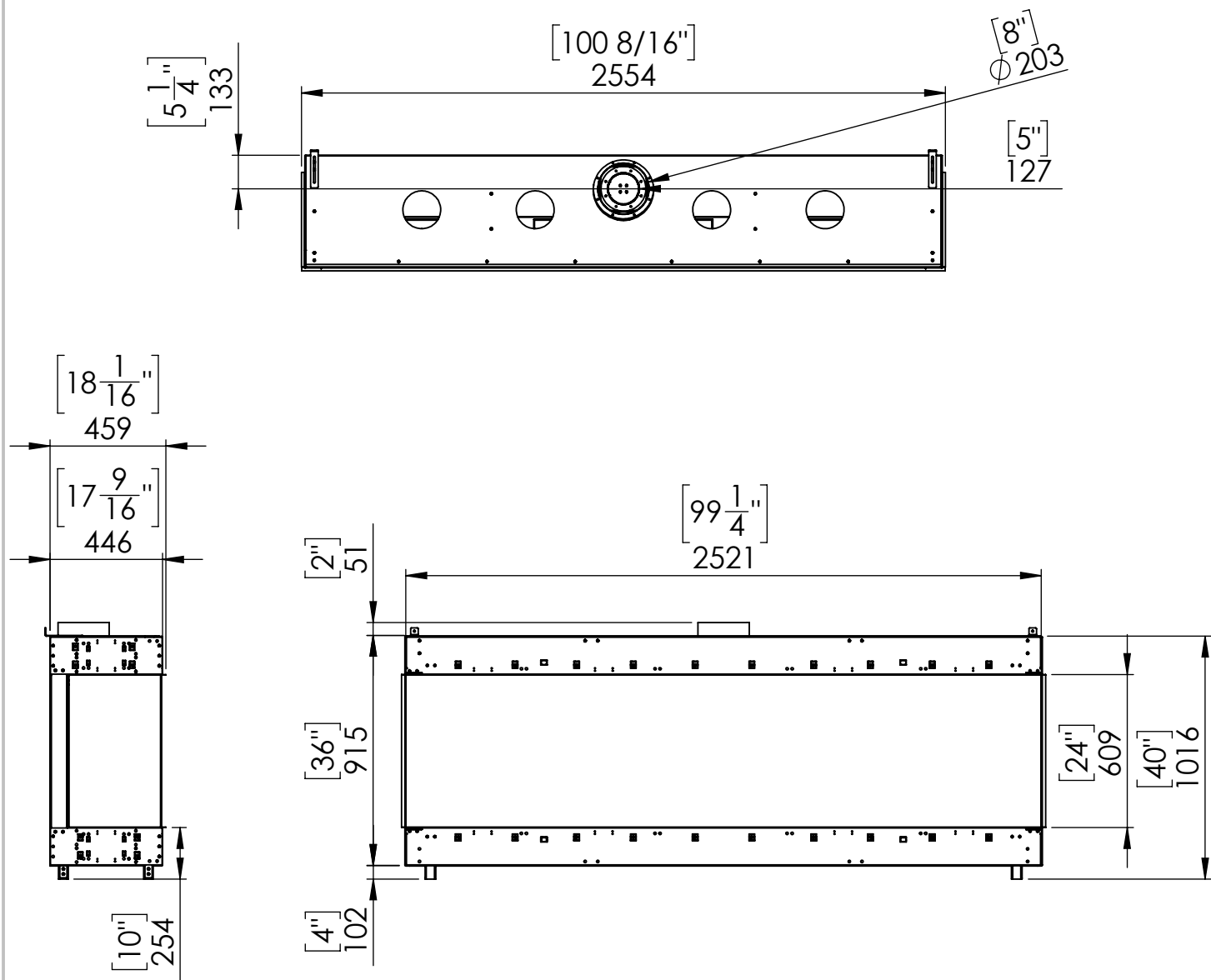
Appliance Location



 Combustible Materials
 Non Combustible Materials

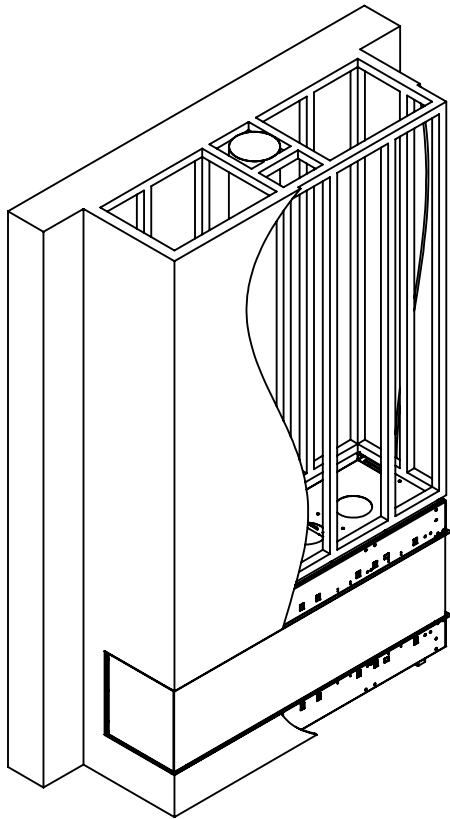


FLARE Double Corner 100H

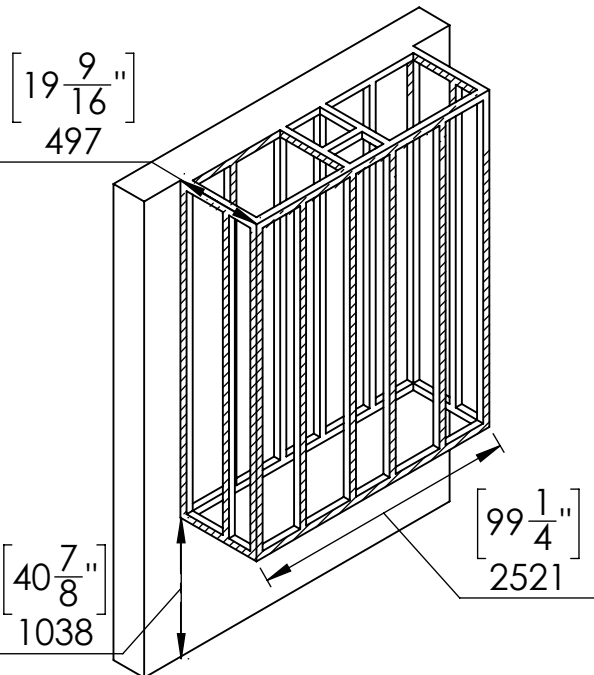


Telescopic leg ranges
(from bottom of glass): 10"-19"

Flat Installation

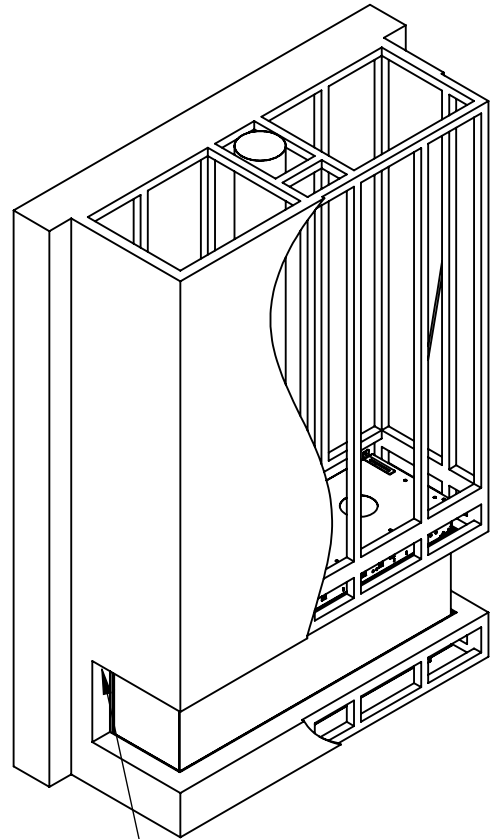


Step 1 - Basic Framing :



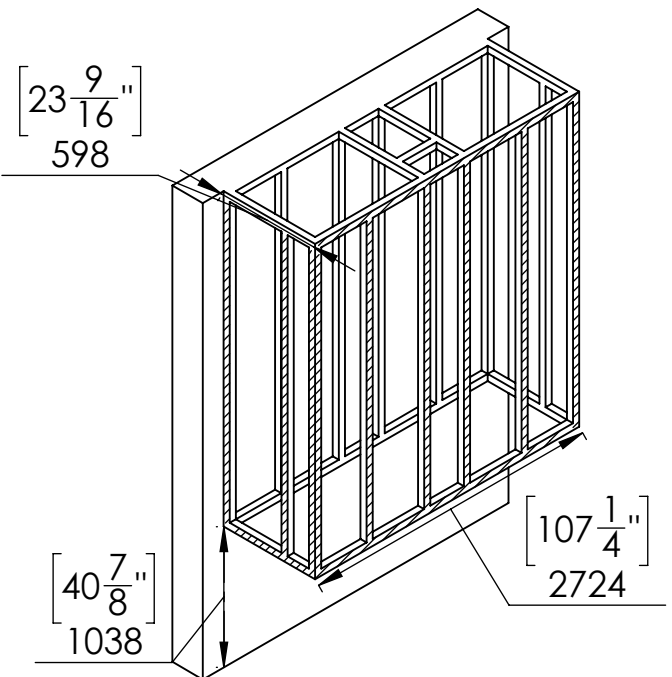
 Steel stud

Recess Installation



Top of Recess
4" max

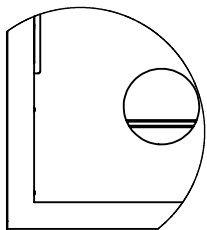
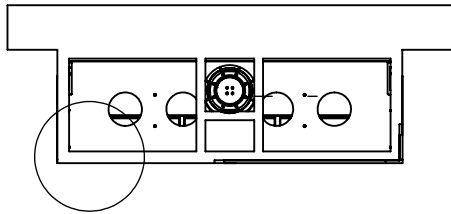
Step 1 - Basic Framing :



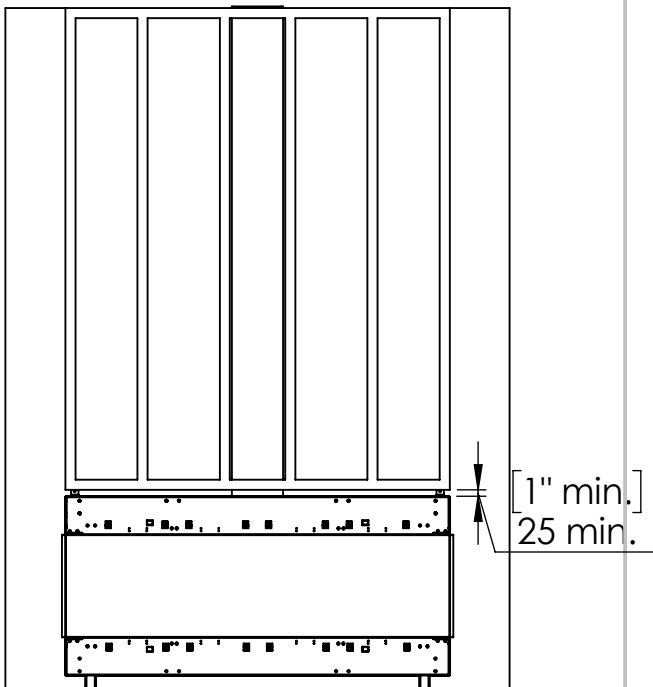
 Steel stud

Flat Installation

Step 2 -Positioning the Fireplace:

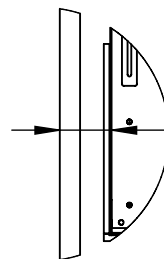
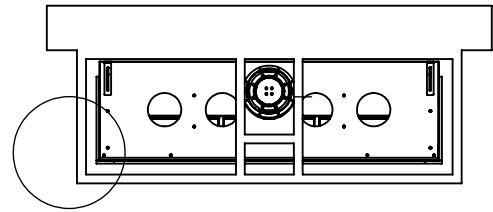


Fireplace frame finishing holder space to match wall finishing thickness



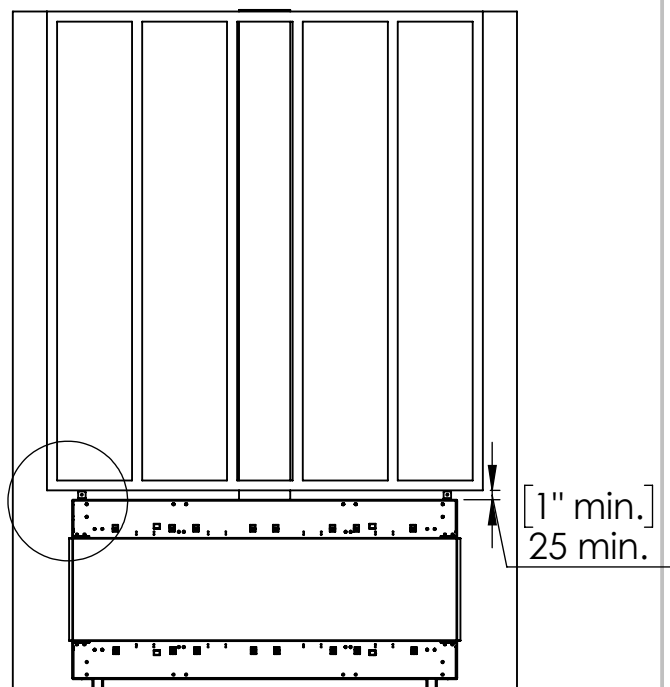
Recess Installation

Step 2 -Positioning the Fireplace:

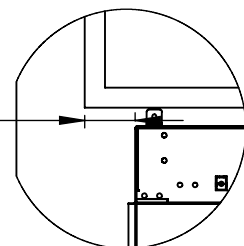


[4" max.]
102 max.

gap to match the max. length of top shelf.

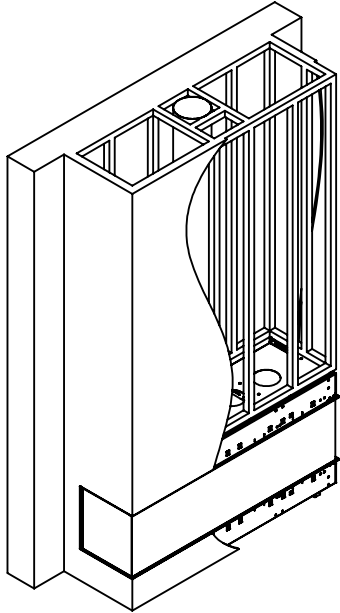


[4" max.]
102 max.



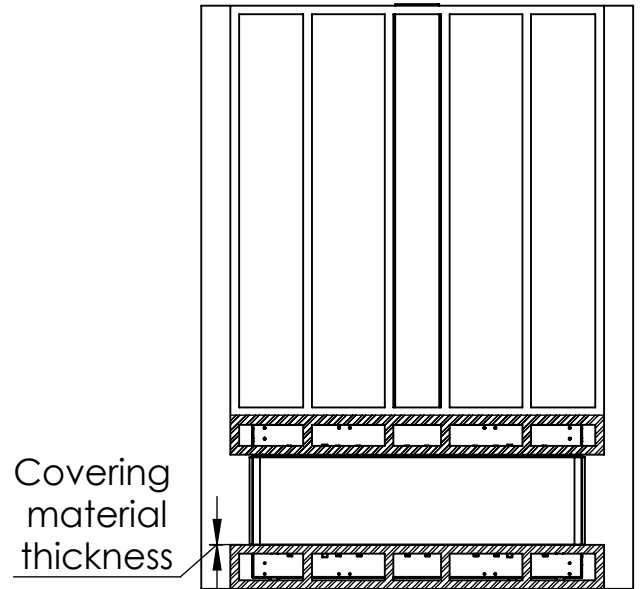
Flat Installation

Last Step - Finishing The Fireplace Wall:



Recess Installation

Step 3 - Framing Front Studs For Recess
After positioning the Fireplace:



Last Step - Finishing The Fireplace Wall:

