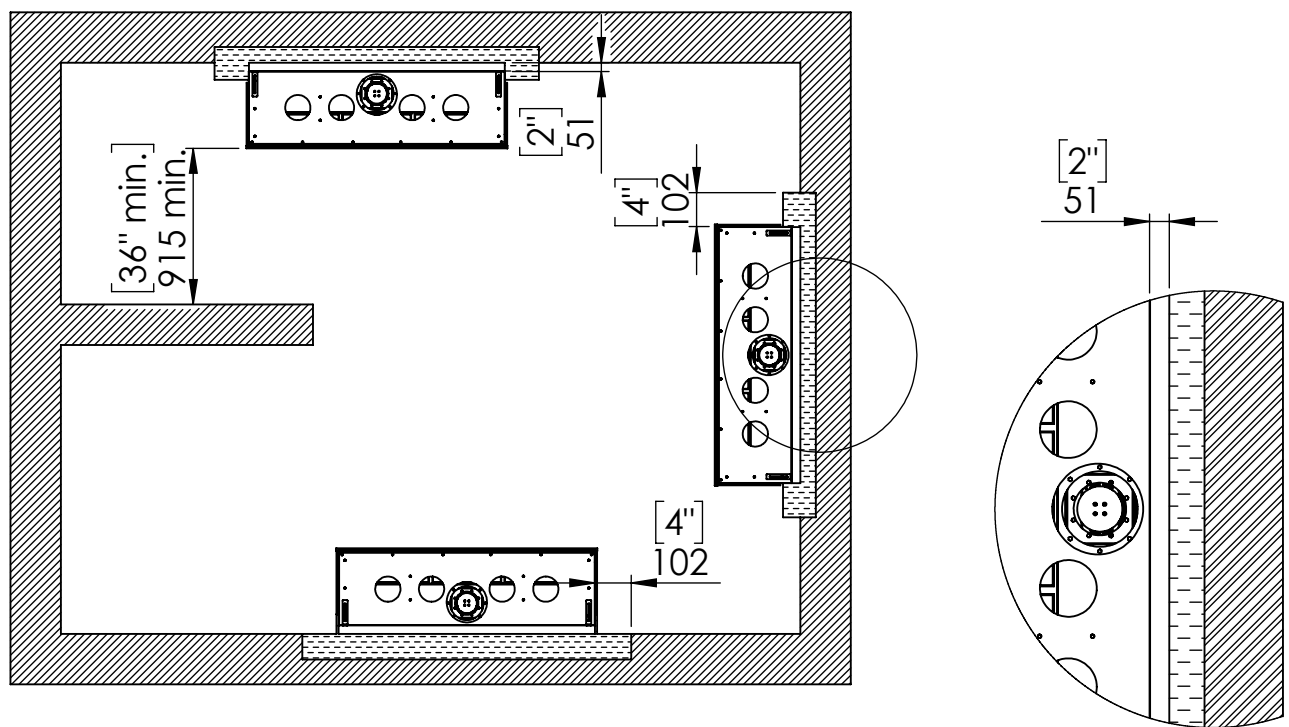


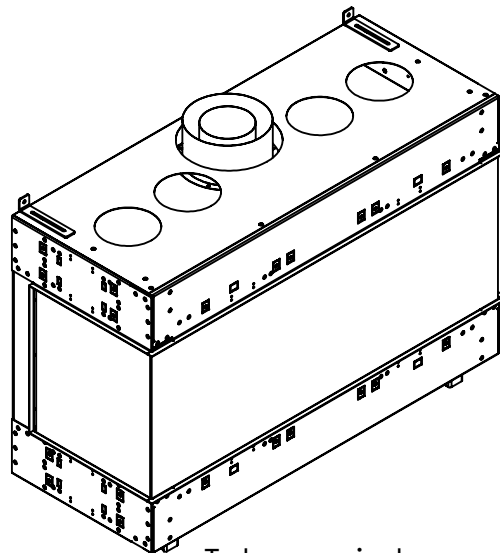
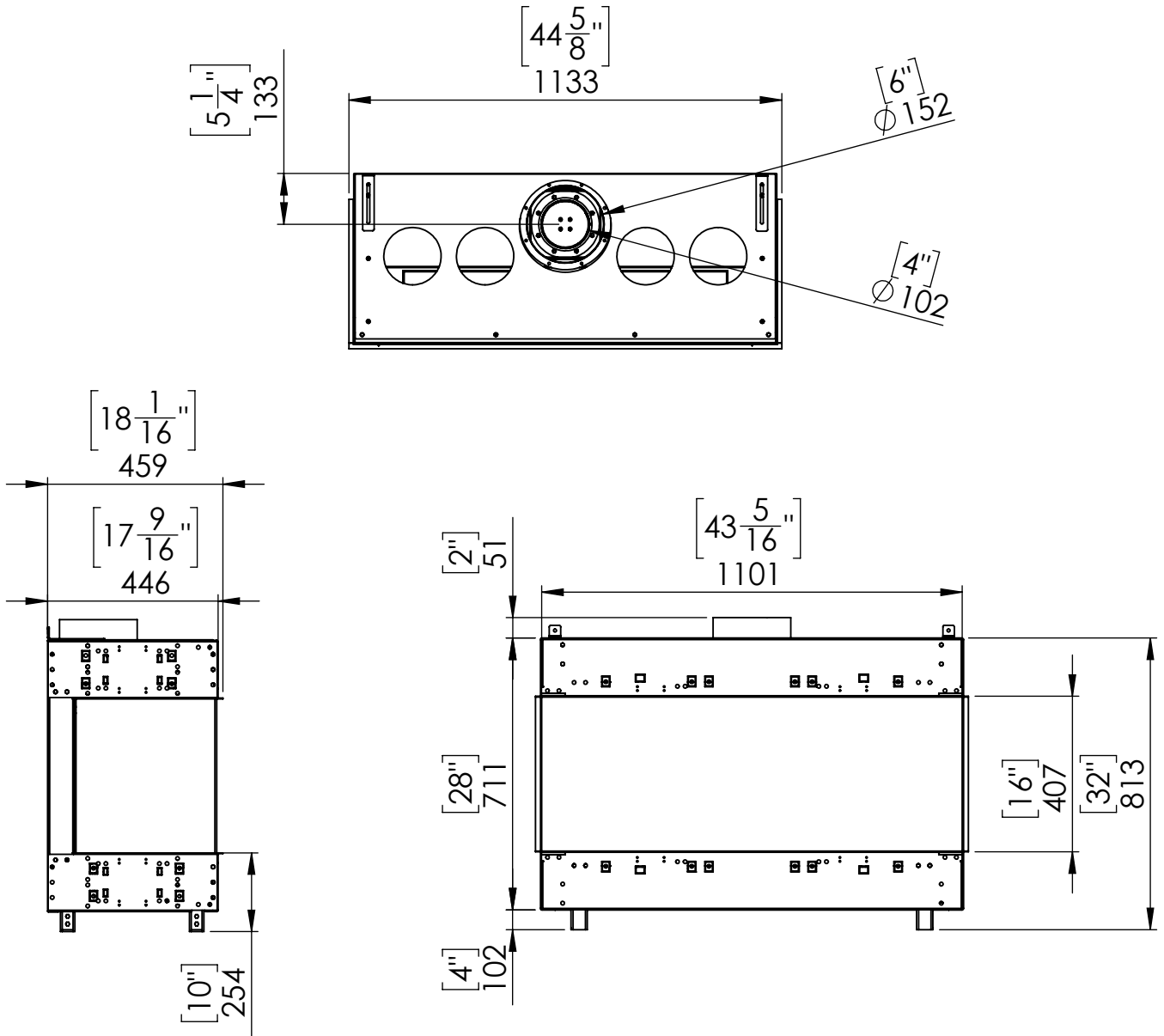
Factor	NG	LPG
Burner Type	80	80
Orifice	1000	260
BTU Max.	36800	26300
BTU min.	22000	17750
Kw/h	10.8k	7.7k
Chimney DIA.	4x6	4x6
Manifold Pressure[w.c]	4.7	10.4
Efficiency rate	78	82
Glass Size Length\Width	1100.5 X 423 mm	43" 5/16 X 16" 9/16'
Appliance Weigh	120Kg	265lb

Appliance Location



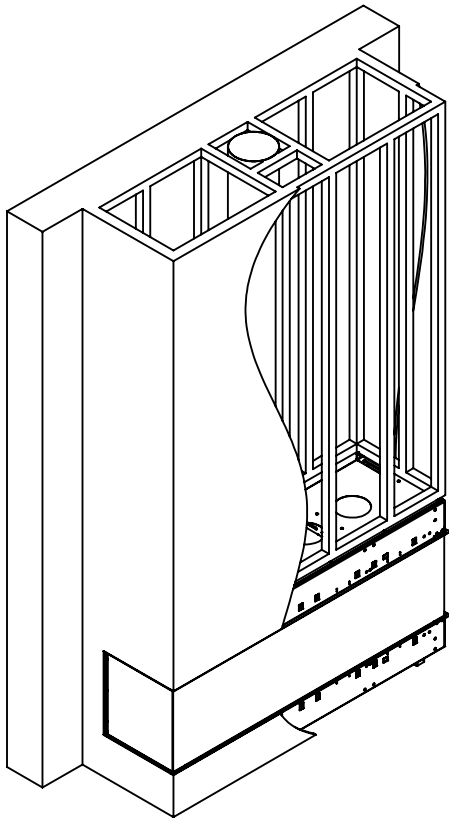


FLARE Double Corner 45

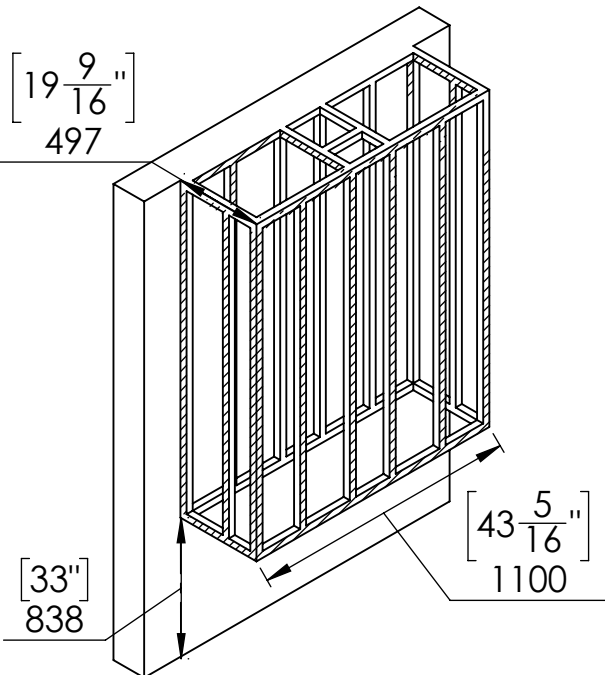


Telescopic leg ranges
(from bottom of glass): 10"-19"

Flat Installation

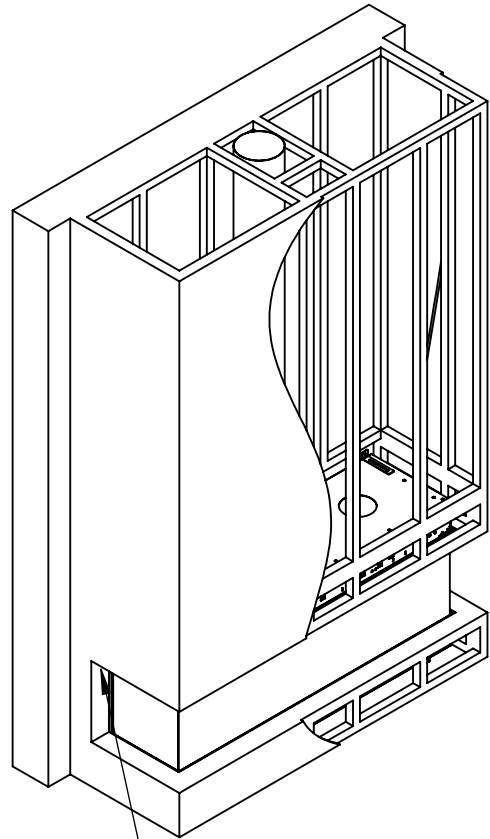


Step 1 - Basic Framing :



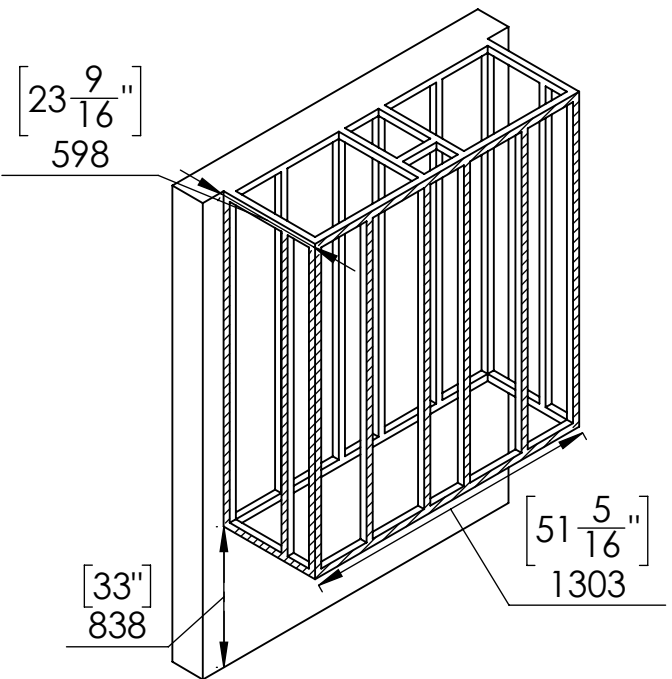
 Steel stud

Recess Installation



Top of Recess
4" max

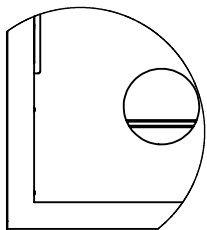
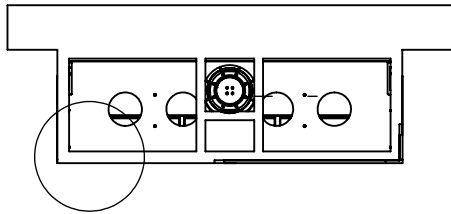
Step 1 - Basic Framing :



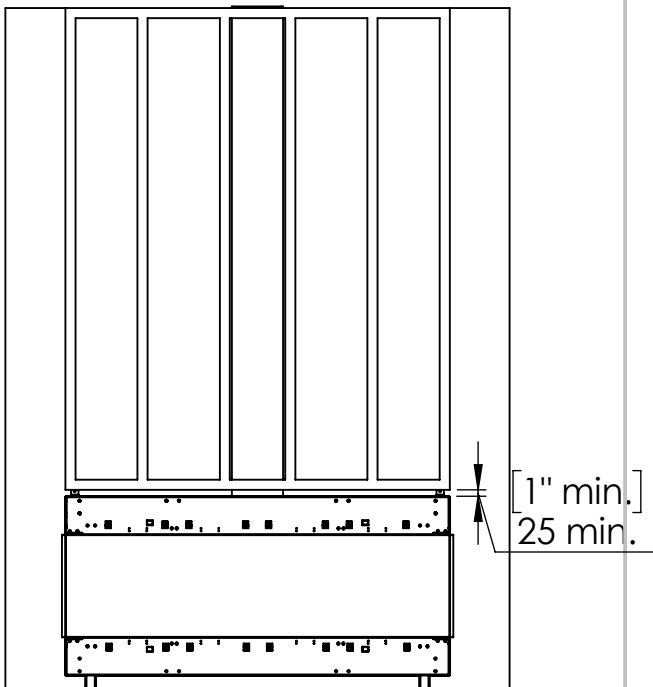
 Steel stud

Flat Installation

Step 2 -Positioning the Fireplace:

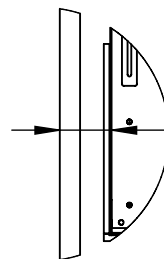
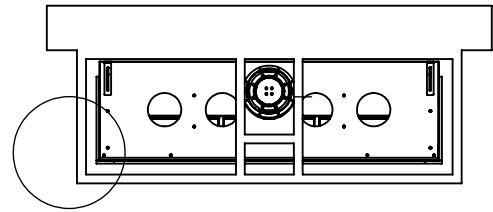


Fireplace frame finishing holder space to match wall finishing thickness



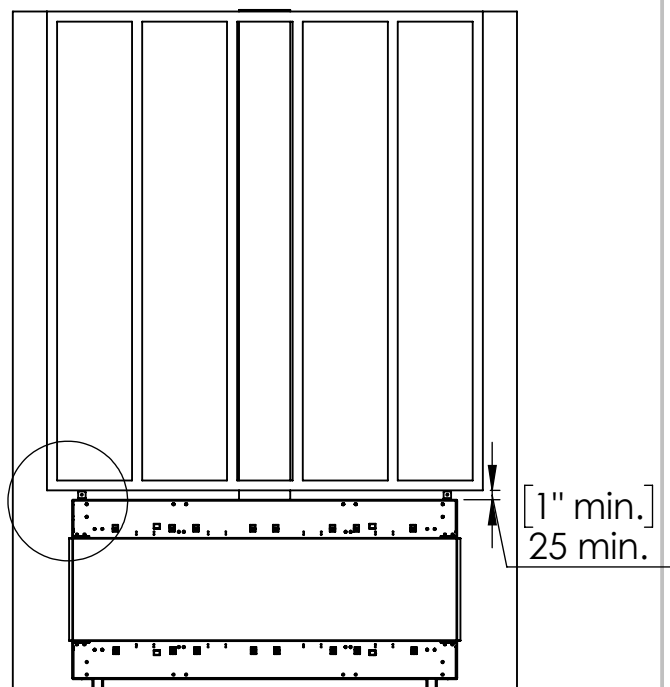
Recess Installation

Step 2 -Positioning the Fireplace:

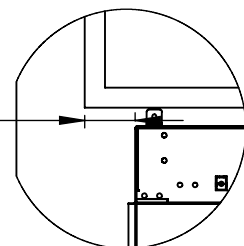


[4" max.]
102 max.

gap to match the max. length of top shelf.

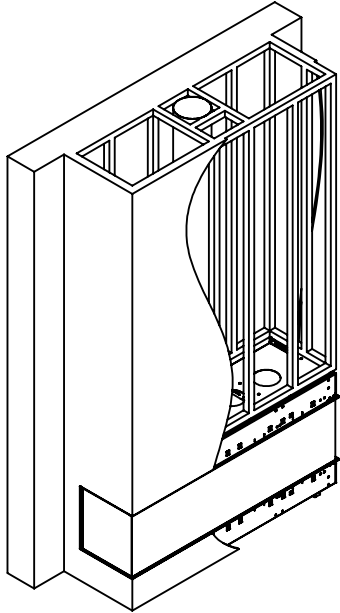


[4" max.]
102 max.



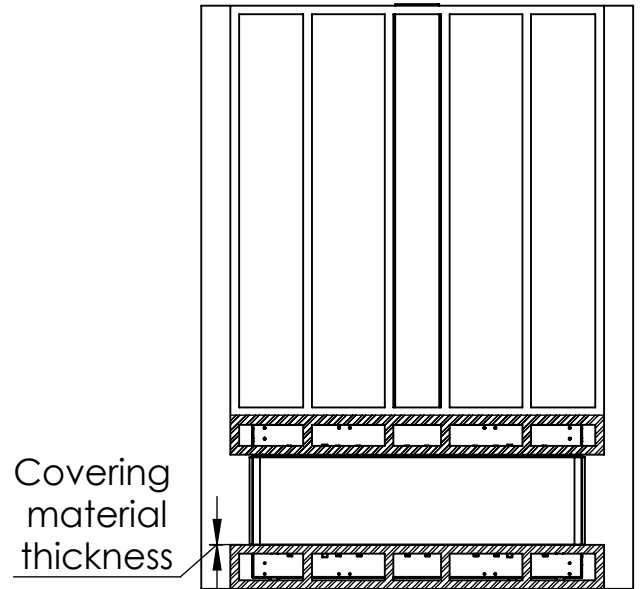
Flat Installation

Last Step - Finishing The Fireplace Wall:



Recess Installation

Step 3 - Framing Front Studs For Recess
After positioning the Fireplace:



Last Step - Finishing The Fireplace Wall:

