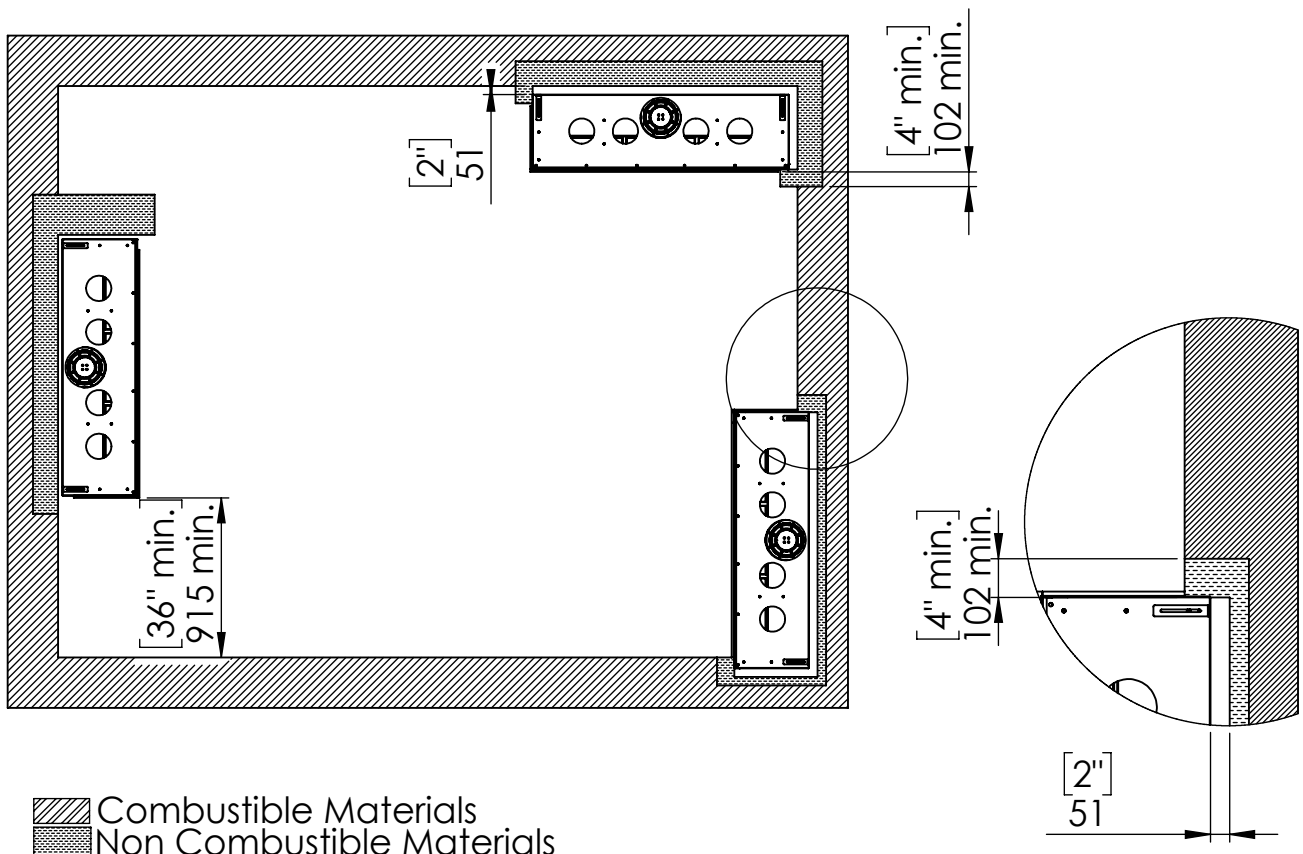




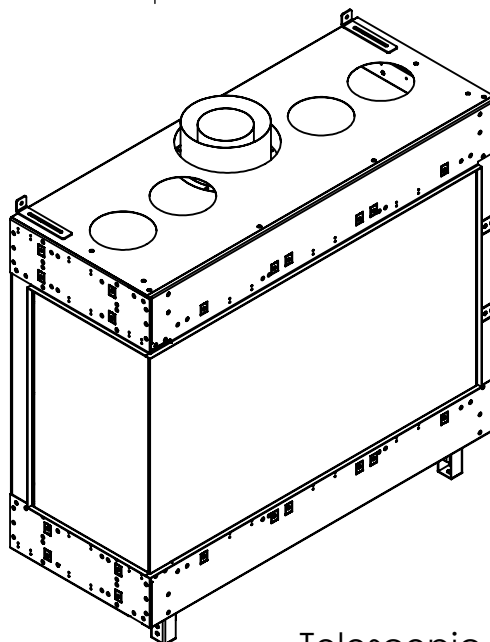
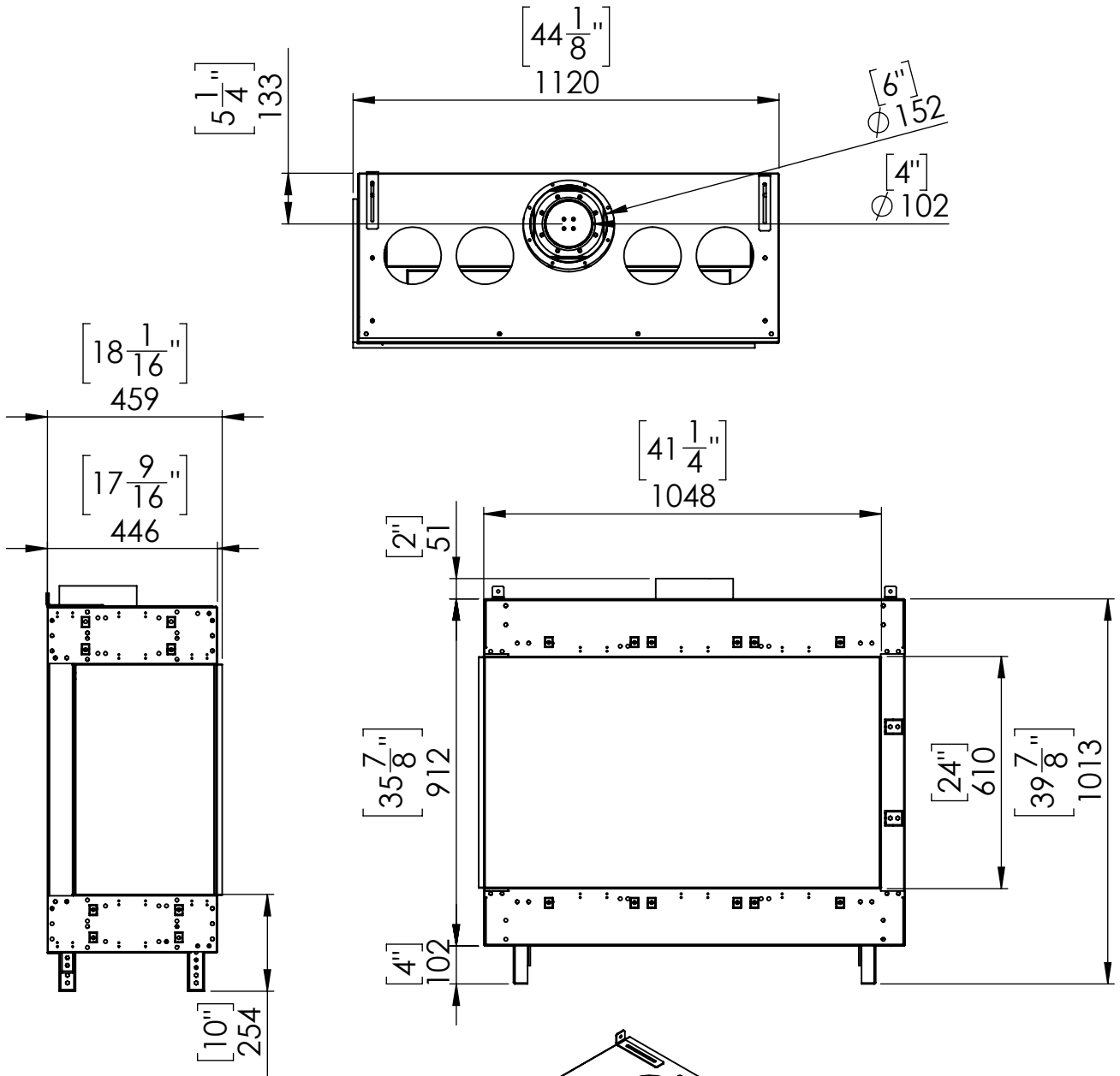
# Specifications for Appliance Flare Left Corner 45H

Factor	NG	LPG
Burner Type	80	80
Orifice	1000	260
BTU Max.	36800	26300
BTU min.	22000	17750
Kw/h	10.8k	7.7k
Chimney DIA.	4x6	4x6
Manifold Pressure[w.c]	4.7	10.4
Efficiency rate	78	82
Glass Size Length\Width	1100.5 X 620 mm	43" 5/16 X 24" 7/16'
Appliance Weigh	130Kg	285lb

## Appliance Location

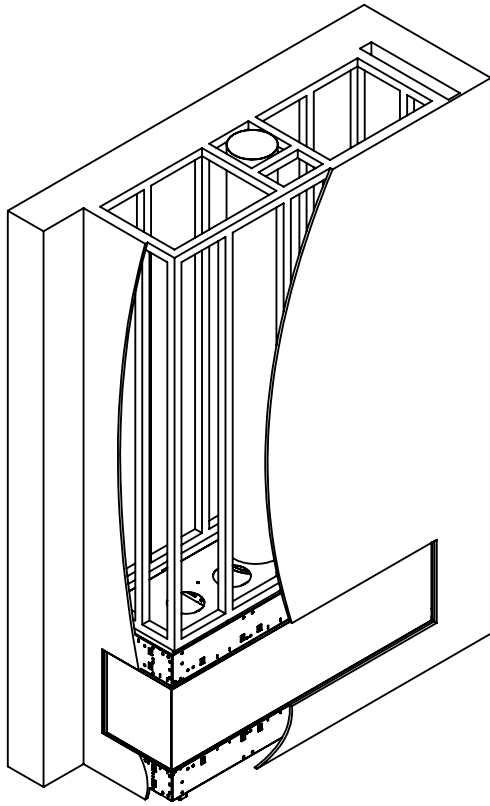


# FLARE Left Corner 45H

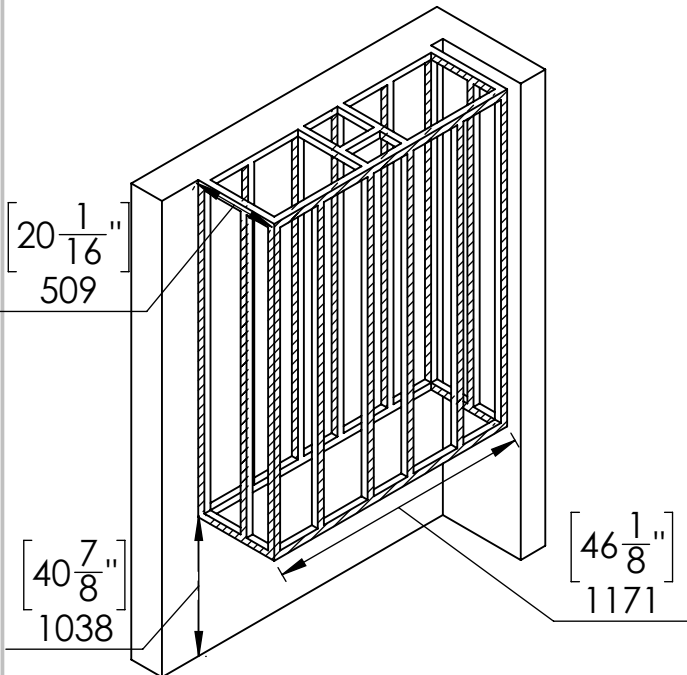


Telescopic leg ranges  
(from bottom of glass): 10"-19"

## Flat Installation

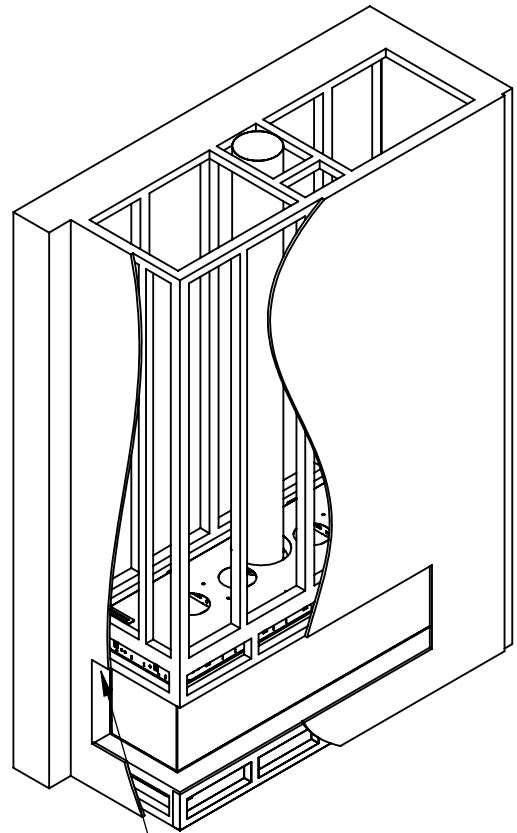


Step 1 - Basic Framing :



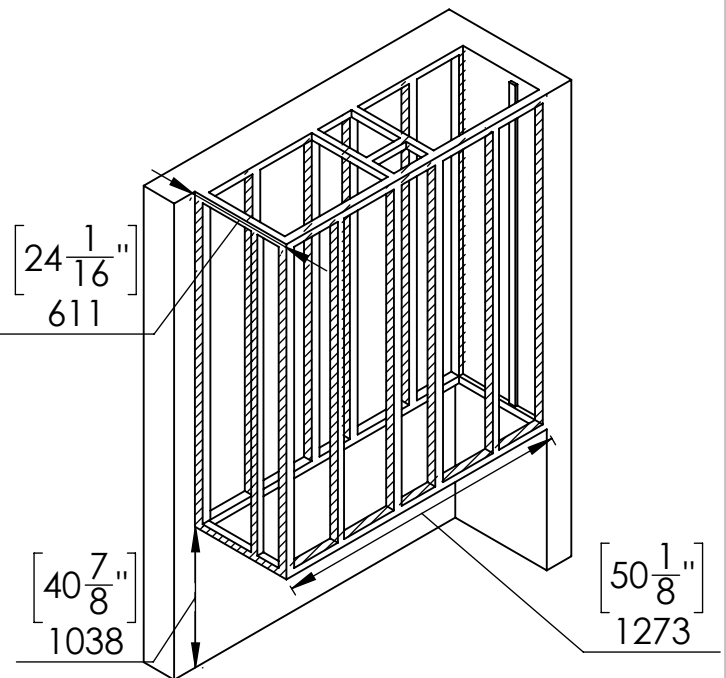
 Metal Studs

## Recess Installation



Top of Recess  
4" max

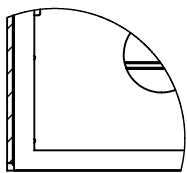
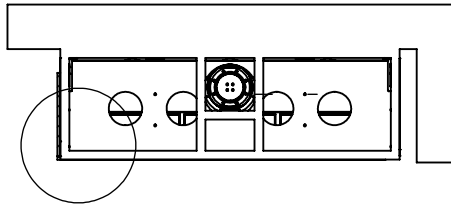
Step 1 - Basic Framing :



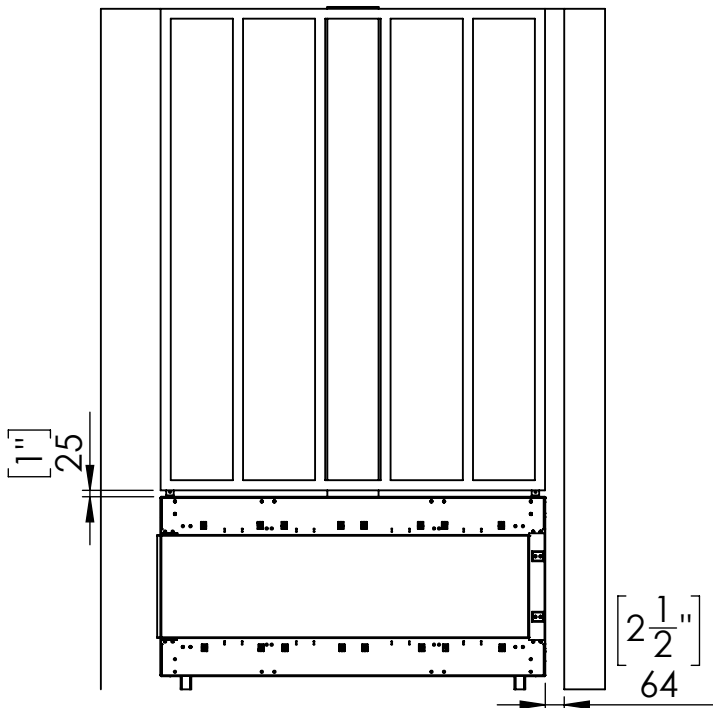
 Metal Studs

## Flat Installation

Step 2 -Positioning the Fireplace:

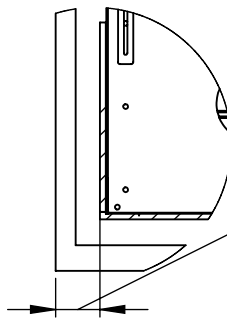
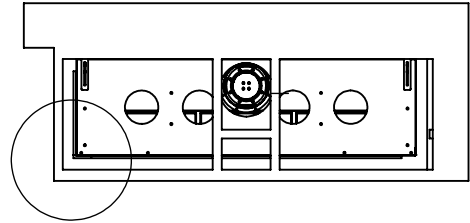


Fireplace frame finishing holder space to match wall finishing thickness

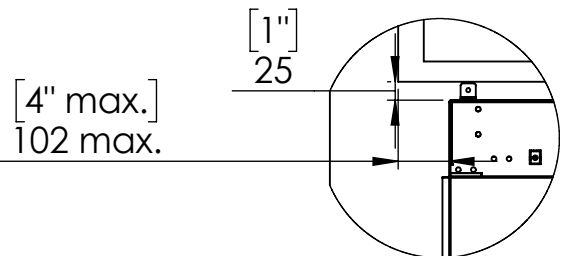
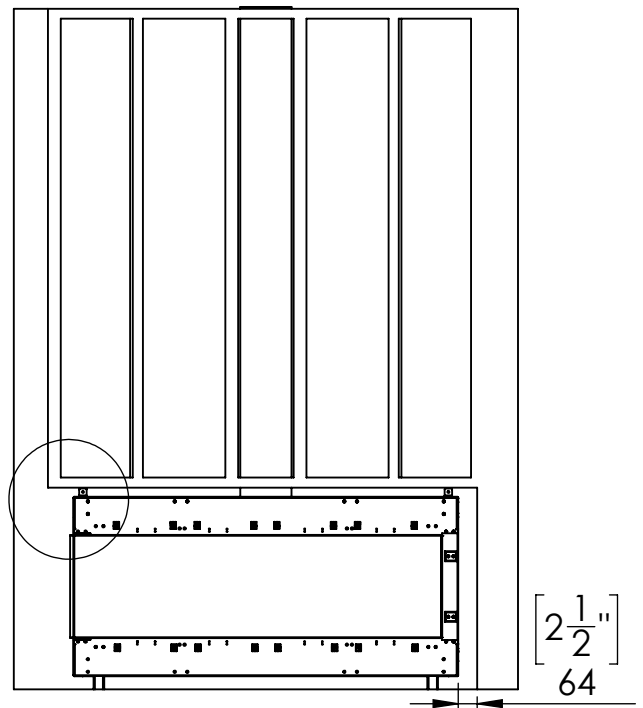


## Recess Installation

Step 2 -Positioning the Fireplace:

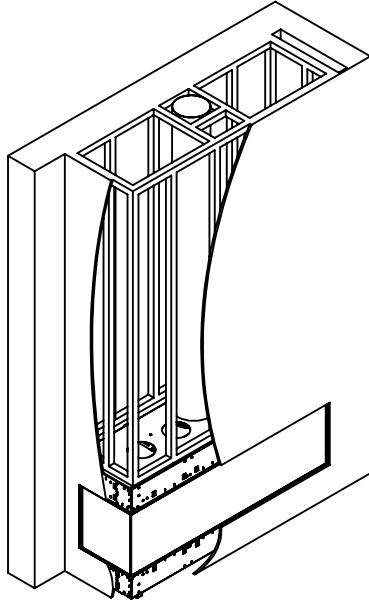


[4"]  
102 gap to match the max. length of top shelf.



## Flat Installation

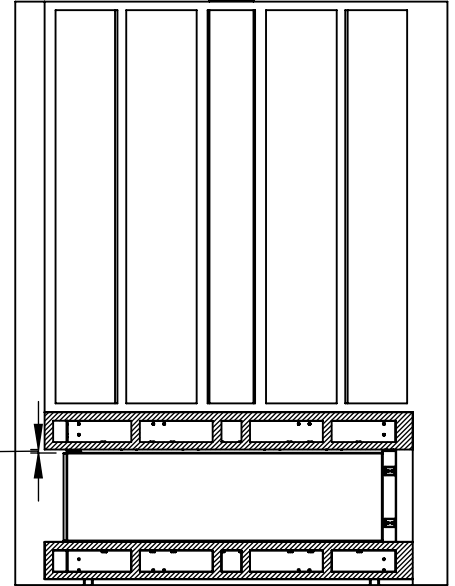
Last Step - Finishing The Fireplace Wall:



## Recess Installation

Step 3 - Framing Front Studs For Recess  
After positioning the Fireplace:

Covering  
material  
thickness



Last Step - Finishing The Fireplace Wall:

