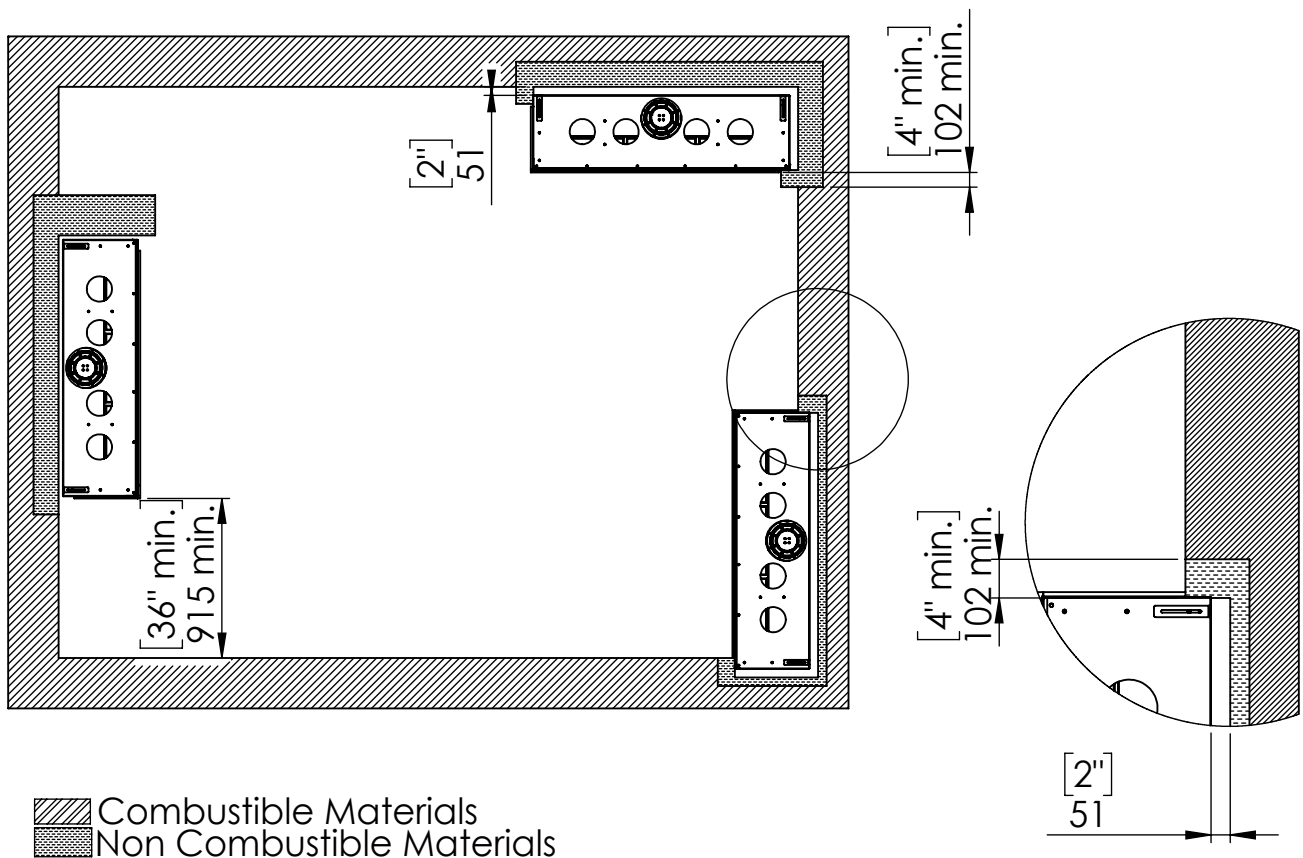


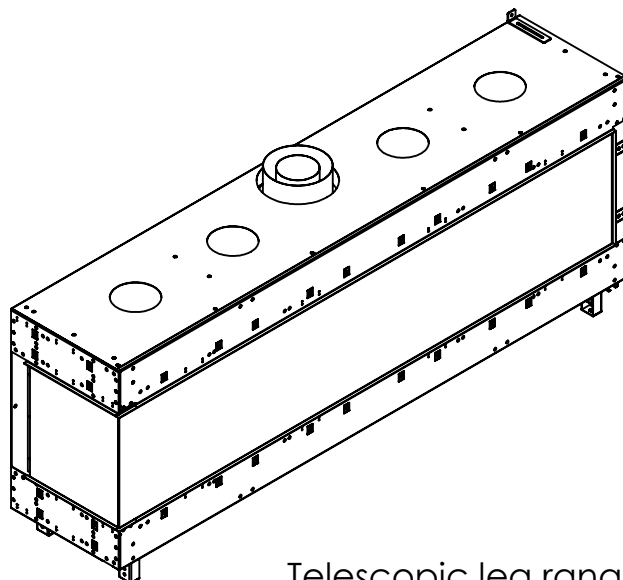
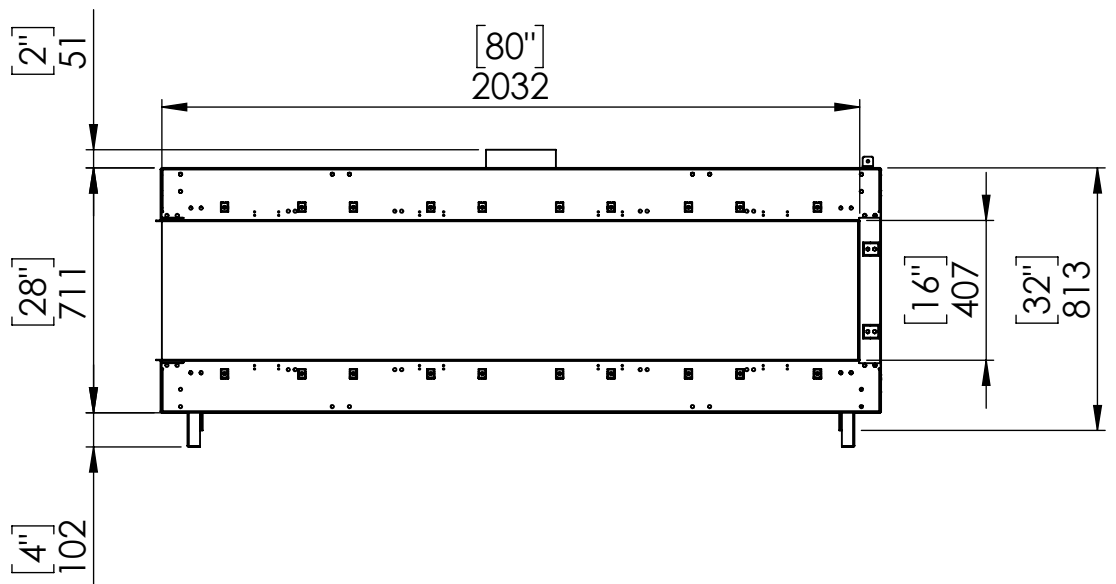
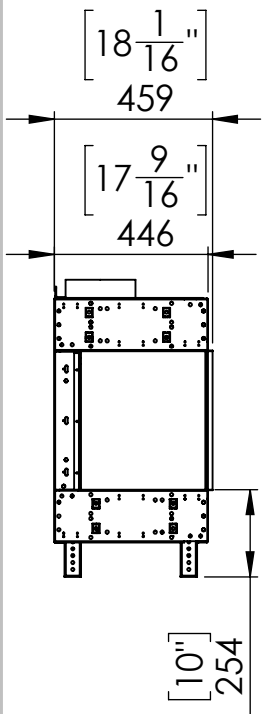
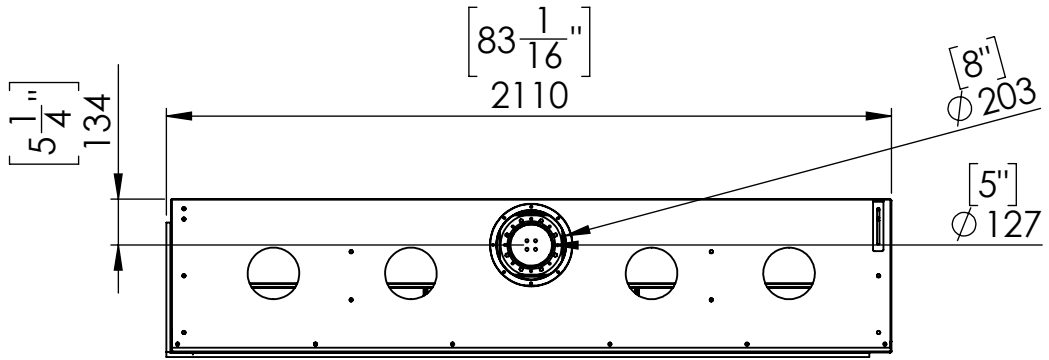


# Specifications for Appliance Flare Left Corner 80

Factor	NG	LPG
Burner Type	35,105,35	35,105,35
Orifice	500,1200,500	160,260,160
BTU Max.	52200	43000
BTU min.	28000	20000
Kw/h	16.3k	13.5k
Chimney DIA.	5X8	5X8
Manifold Pressure[w.c]	3.4	8.8
Efficiency rate	82	80
Glass Size Length\Width	2090.5 X 423 mm	82" 5/16 X 16" 9/16'
Appliance Weigh	220Kg	485lb

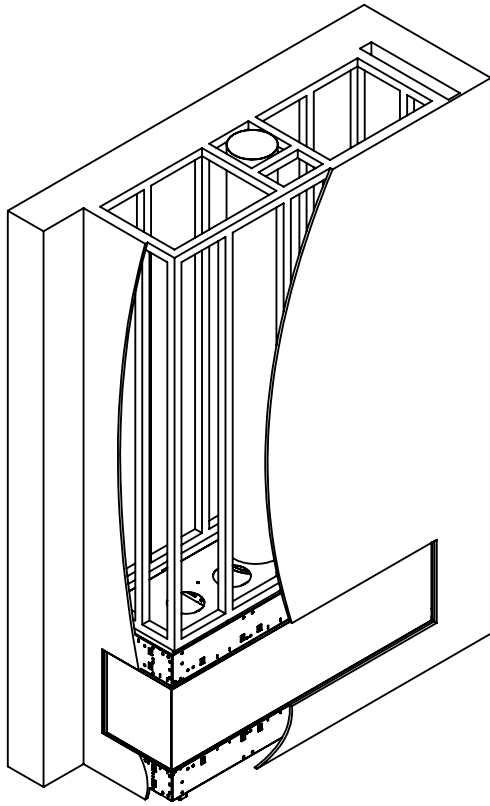
## Appliance Location



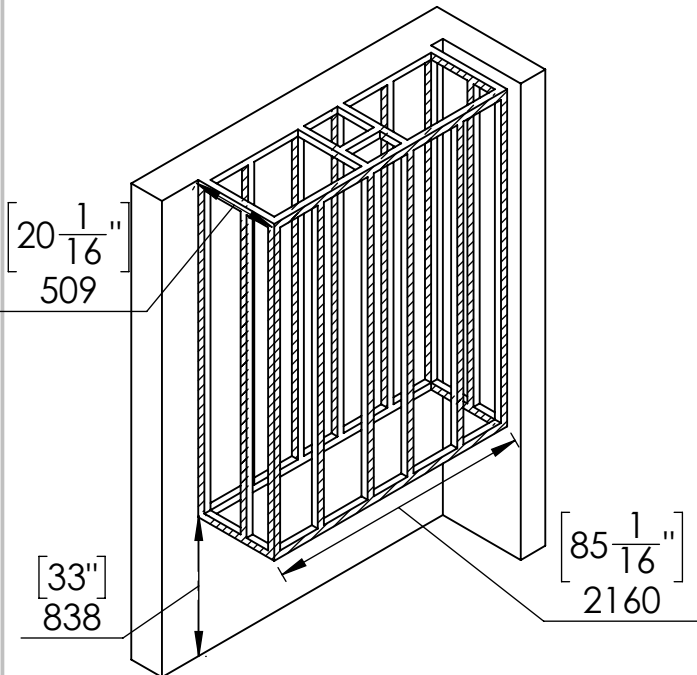


Telescopic leg ranges  
(from bottom of glass): 10'-19"

## Flat Installation

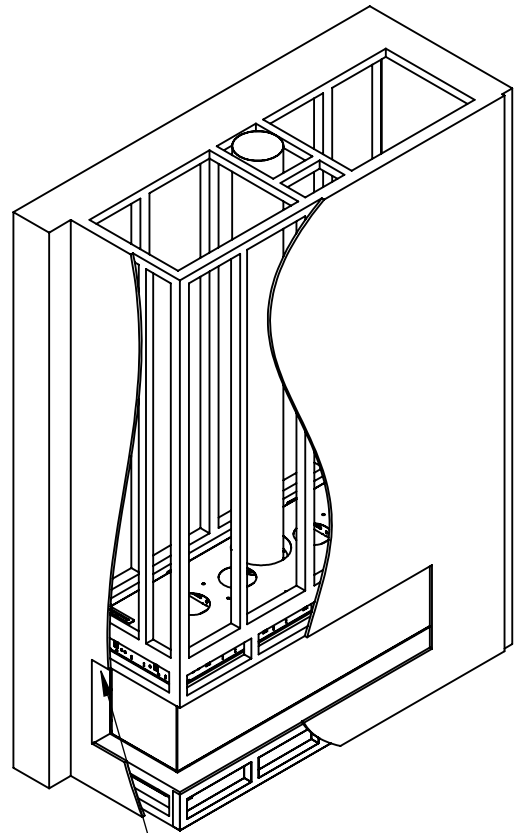


Step 1 - Basic Framing :



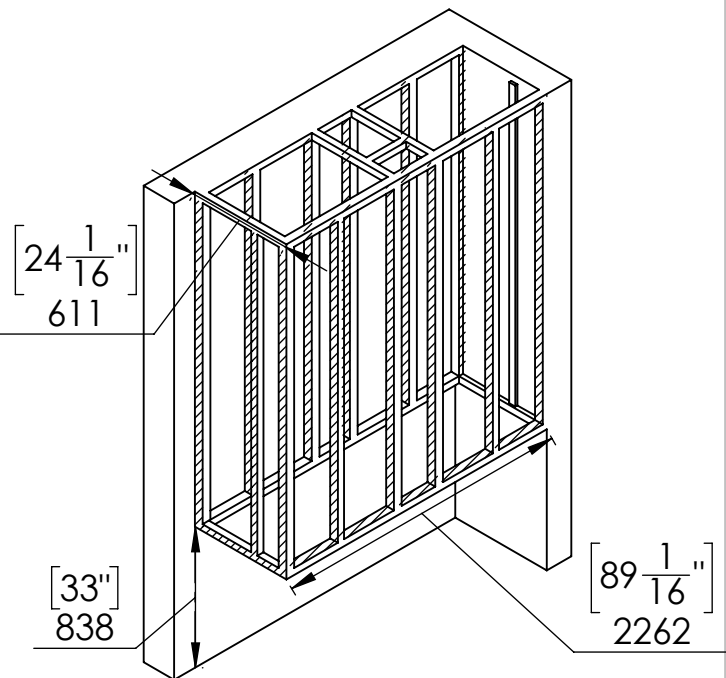
 Metal Studs

## Recess Installation



Top of Recess  
4" max

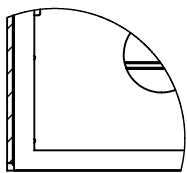
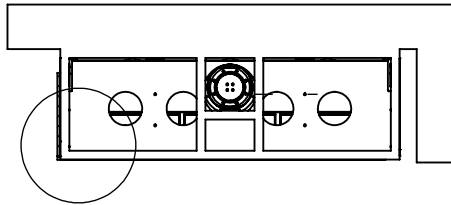
Step 1 - Basic Framing :



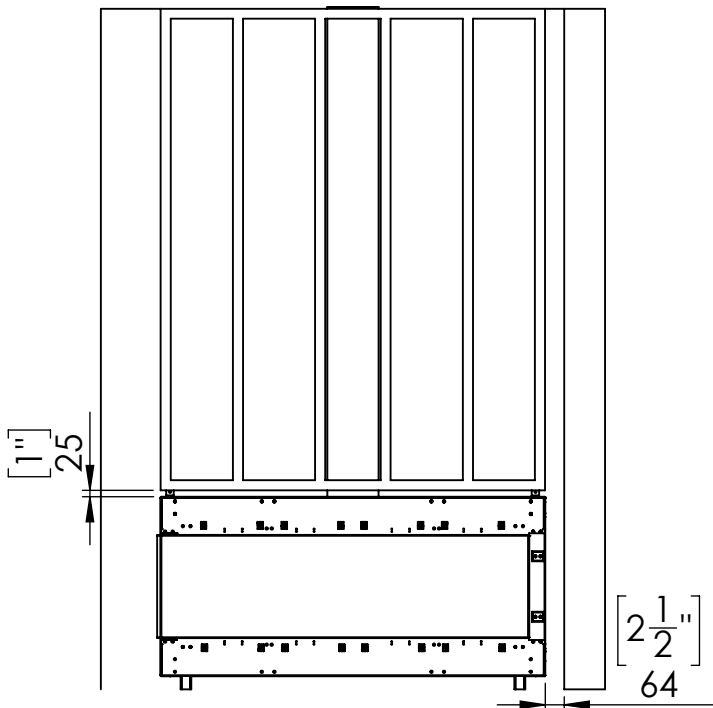
 Metal Studs

## Flat Installation

Step 2 -Positioning the Fireplace:

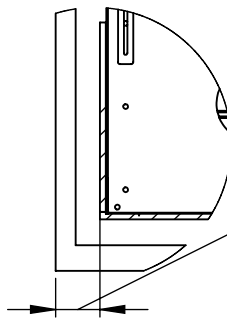
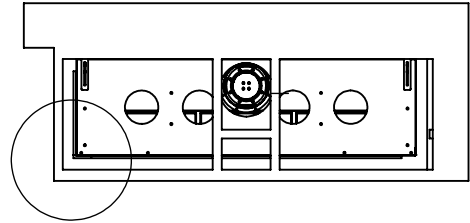


Fireplace frame finishing holder space to match wall finishing thickness



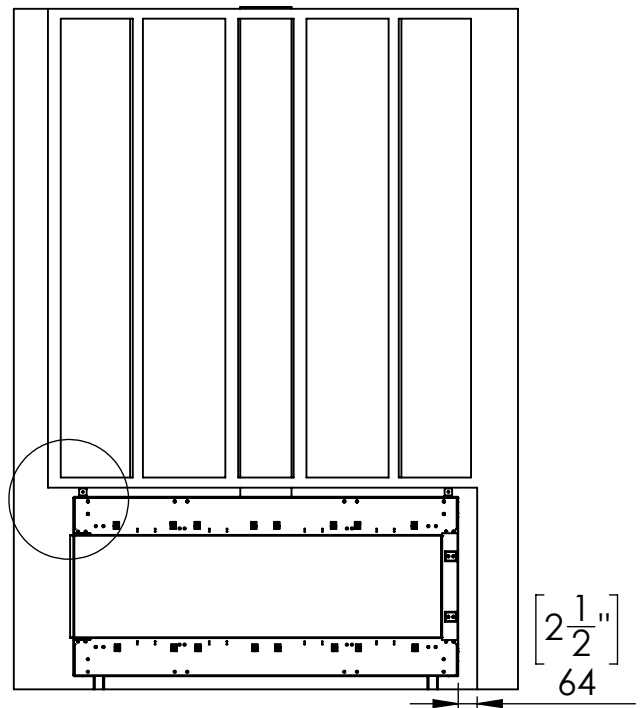
## Recess Installation

Step 2 -Positioning the Fireplace:



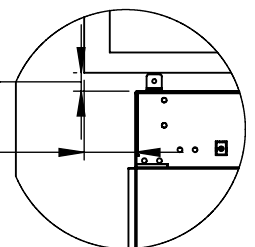
[4"]  
102

gap to match the max. length of top shelf.



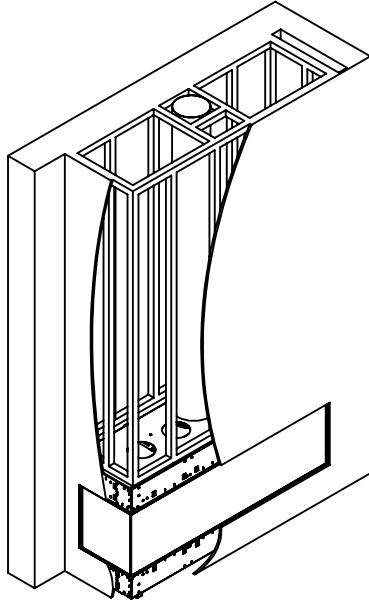
[4" max.]  
102 max.

[1"]  
25



## Flat Installation

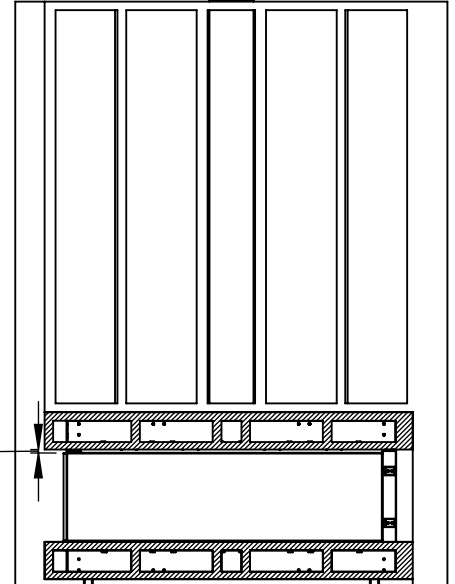
Last Step - Finishing The Fireplace Wall:



## Recess Installation

Step 3 - Framing Front Studs For Recess  
After positioning the Fireplace:

Covering  
material  
thickness



Last Step - Finishing The Fireplace Wall:

