



FLARE FIREPLACES

WARNING: If the information in these instructions are not followed exactly, a fire or explosion may result causing property damage, personal injury or loss of life.

- Do not store or use gasoline or other flammable vapors and liquids in the vicinity of this or any other appliance.
- WHAT TO DO IF YOU SMELL GAS
 - Do not try to light any appliance.
 - Do not touch any electrical switch; do not use any phone in your building.
 - Immediately call your gas supplier from a neighbor's phone. Follow the gas supplier's instructions.
 - If you cannot reach your gas supplier, call the fire department.
- Installation and service must be performed by a qualified installer, service agency or the gas supplier.

 **DANGER**



**HOT GLASS WILL
CAUSE BURNS.**

**DO NOT TOUCH GLASS
UNTIL COOLED.**

**NEVER ALLOW CHILDREN
TO TOUCH GLASS.**

A barrier designed to reduce the risk of burns from the hot viewing glass is provided with this appliance and shall be installed for the protection of children and other at-risk individuals.

**NATIONAL
FIREPLACE
INSTITUTE**



CERTIFIED
www.nficertified.org

We suggest that our gas hearth products be installed and serviced by professionals who are certified in the U.S. by the National Fireplace Institute® (NFI) as NFI Gas Specialists.

NOTICE

INSTALLER: Leave this manual with the appliance.

CONSUMER: Retain this manual for future reference.

Installation and service of this appliance MUST be performed by qualified certified NFI personnel.

Massachusetts: The piping and final gas connection must be performed by a licensed plumber or gas fitter in the State of Massachusetts. Also, see Carbon Monoxide detector requirements on page 65

Flare Fireplaces Installation Guide

[Flare Double Corner, Left Corner, Right Corner, Front, See-Through and Room Definer] v4.80

TABLE OF CONTENTS

SAFETY INFO AND WARNINGS.....	5
FLARE FIREPLACES – FRAMELESS IN EVERY WAY	7
SAFETY.....	7
CSA CERTIFICATION.....	7
MANUAL MODEL LIST & INFORMATION.....	8
FIREPLACE OPERATION.....	9
REMOTE CONTROL INSTRUCTIONS.....	9
RECEIVER AND REMOTE BATTERIES.....	13
PAIRING REMOTE WITH FIREPLACE RECEIVER	13
WALL SWITCH – OPTIONAL	14
MEDIA ARRANGEMENTS.....	15
SAFETY SCREEN REMOVAL.....	16
EXTERNAL GLASS REMOVAL – DOUBLE GLASS FIREPLACE	17
INTERNAL GLASS REMOVAL.....	18
REFLECTIVE BACK INSTALL.....	20
INSTALLATION STEPS.....	21
INSTALLATION PREPARATION	22
FIREPLACE UNPACKING	22
FIREPLACE TELESCOPIC LEGS SETUP.....	23
<i>leg setup for front and see through units.....</i>	<i>24</i>
<i>leg setup for corner units</i>	<i>25</i>
UNPACKING CONTROL UNIT AND ACCESSORIES.....	26
REPLACE POSITIONING	27
FIREPLACE ELECTRICAL CONNECTION.....	28
LED LIGHTS.....	30
LED LIGHT INSTALL AND POWER	31
LED CONTROLLER AND REMOTE.....	32
VENT TERMINATION	34
VENT AND FIREPLACE SIZE.....	35
MINIMUM COMBUSTIBLE CLEARANCES FROM VENT	35
VENT RESTRICTOR SETUP	41
CHIMNEY PATH INSTALLATION AND PLANNING	42
FLARE 25.....	43
FLARE 30H	45
FLARE 45/45H.....	47
FLARE 50/50H.....	49
FLARE 60/60H.....	51
FLARE 70/70H.....	53

FLARE 80/80H.....	55
FLARE 100/100H.....	57
POWER VENTING	59
GAS INSTALLATION	62
GENERAL	62
ORIFICE SIZE	63
GAS VALVE ACCESS DOOR	64
COMMONWEALTH OF MASSACHUSETTS	65
FLARE FIREPLACES - DOUBLE GLASS	66
OVERVIEW	66
DOUBLE GLASS - INSTRUCTIONS	66
<i>Power requirements</i>	67
TELEVISION MOUNTING ABOVE FIREPLACE.....	67
TV INSTALL – FLAT EXAMPLE	68
TV INSTALL – L TYPE EXAMPLE	69
TV INSTALL RECESS – 45 DGREE ELBOW ON TOP OF THE UNIT.....	70
TV INSTALL WITHOUT RECESS – MANTEL REQUIREMENTS	71
CLEARANCES	72
GENERAL INFORMATION AND STEPS.....	72
CLEARANCES SPECIFICATION.....	75
MANTEL CLEARANCE	76
HEAT RELEASES	77
AIR INTAKE	77
<i>Release and intake example</i>	78
EXAMPLES OF HEAT RELEASES.....	ERROR! BOOKMARK NOT DEFINED.
FLARE FRONT, SEE THROUGH, AND CORNER FIREPLACE CLEARANCE	79
<i>Flat – side and isometric view</i>	79
<i>L shape – side and isometric view</i>	81
FLARE ROOM DEFINER FIREPLACE CLEARANCE	83
<i>Flat – side and isometric view</i>	83
<i>L shape – side and isometric view</i>	85
INDOOR/OUUTDOOR KIT	87
APPLIANCE LOCATION	87
PRODUCT DIMENSIONS & SPECIFICATIONS.....	90
BURNER DIMENSIONS	90
HOME AUTOMATION	91
ELECTRIC AND CONTROL	92
ELECTRIC DIAGRAM - SCREEN	92
DIAGRAM – DOUBLE GLASS AND POWER VENT.....	93
ELECTRIC DIAGRAM – PV SYSTEM	94

REPLACEMENT PARTS	95
MAINTENANCE.....	96
APPENDIX.....	98
MAINTENANCE LOG.....	98
WARRANTY POLICY.....	99

SAFETY INFO AND WARNINGS

WARNING!

If the information in these instructions are not followed exactly, a fire or explosion may result causing property damage, personal injury or loss of life.

Installation and service must be performed by a qualified installer, service agency or the supplier.

WARNING!

The direct vent system appliance must be installed as an OEM installation in manufactured homes (USA only) or an aftermarket permanently located, or a mobile home, where not prohibited by local codes and must be installed in accordance with Manufacturer's instructions and the Manufactured Home Construction and Safety Standard, Title 24 CFR, Part 3280, in the United States, or the Standard for Installation in Mobile Homes, CAN/CSA Z240 MH Series, in Canada.

This appliance is only for use with the type(s) of gas indicated on the rating plate. A conversion kit is supplied with the appliance.

This appliance is listed to ANSI standards for ANSI Z21.88-2016 ANSI Z21.88 – CSA 2.33 Vented Gas Fireplace Heaters.

WARNING!

NEVER LEAVE CHILDREN OR OTHER AT RISK INDIVIDUALS ALONE WITH THE APPLIANCE.

WARNING!

Due to high temperatures, the appliance should be located out of traffic and away from furniture and draperies.

Children and adults should be alerted to the hazards of high surface temperature and should stay away to avoid burns or clothing ignition.

WARNING!

Young children should be carefully supervised when they are in the same room as the appliance. Toddlers, young children and others may be susceptible to accidental contact burns. A physical barrier is recommended if there are at risk individuals in the house. To restrict access to a fireplace or stove, install an adjustable safety gate to keep toddlers, young children and other at risk individuals out of the room and away from hot surfaces

WARNING!

This appliance must be electrically wired and grounded in accordance with local codes or, in the absence of local codes, with National Electric Code ANSI/NFPA 70- latest edition or the Canadian Electric Code CSA C22.1.

A 110-120V AC circuit for this product must be protected with ground-fault circuit-interrupter protection, in compliance with the applicable electrical codes, when it is installed in locations such as in bathrooms or near sinks.

Proposition 65 Warning: Fuels used in gas, wood burning or oil fired appliances, and the products of combustion of such fuels, contain chemicals known to the State of California to cause cancer, birth defects and other reproductive harm. California Health & Safety Code Sec. 25249.6. In the state of Massachusetts, only a licensed plumber and gas fitter may install this product. See Note for the Commonwealth of Massachusetts

FLARE FIREPLACES – FRAMELESS IN EVERY WAY

Flare Fireplaces is where innovation, quality and luxury come together to form new ideas.

By combining superior raw materials, contemporary design, creative technology and a frameless way of thinking, we have created a full line of direct-vent fireplaces that are luxurious, simple to operate, and efficient.

Our Fireplaces are distinguished by their clean design, superior build quality and unique features.

SAFETY

CSA CERTIFICATION

All our fireplaces are tested and have been certified to meet stringent CSA guidelines, ensuring optimum quality, safety and efficiency.

All our fireplaces have been certified and tested to work with Natural Gas or Propane.

Certification Information:

ANSI Z21.88/CSA 2.33-2016- Vented Gas Fireplace Heaters

CSA CLASSES:

CLASS 2901 84 / CLASS 2901 04

All fireplaces are rated for commercial and residential use.

MANUAL MODEL LIST & INFORMATION

The Following manual should be used for the following Flare Fireplaces Models:

- Flare Front 25-100 “
- Flare See-Through 25-100”
- Flare Corner Right & Left 25-100”
- Flare Double Corner 25-100”
- Flare Room Definer 30-100”

All models share the same gas valve system, remote, gas connection, and glass type, simplifying installation and operation.

All warnings and instructions apply to all models.

Refer to the model name for specific model, clearance and installation information.

Flare Fireplaces should only be connected to M&G DuraVent or ICC 4x6 or 5x8 venting system. Refer to the specific appliance model and size to determine vent size (Gas specification table) and chimney pathway requirements ([Chimney path installation & planning table](#)). For detailed chimney installation information please use the M&G DuraVent direct vent installation manual: <http://www.duravent.com>

For details on ICC direct vent installation, please use the ICC installation guide.

<http://icc-chimney.com/en/exceldirect-support>

This product is listed to ANSI standards for “Vented Gas Fireplace Heaters” and applicable sections of “Gas Burning Heating Appliances for Manufactured Homes and Recreational Vehicles”, and “Gas Fired Appliances for Use at High Altitudes”.

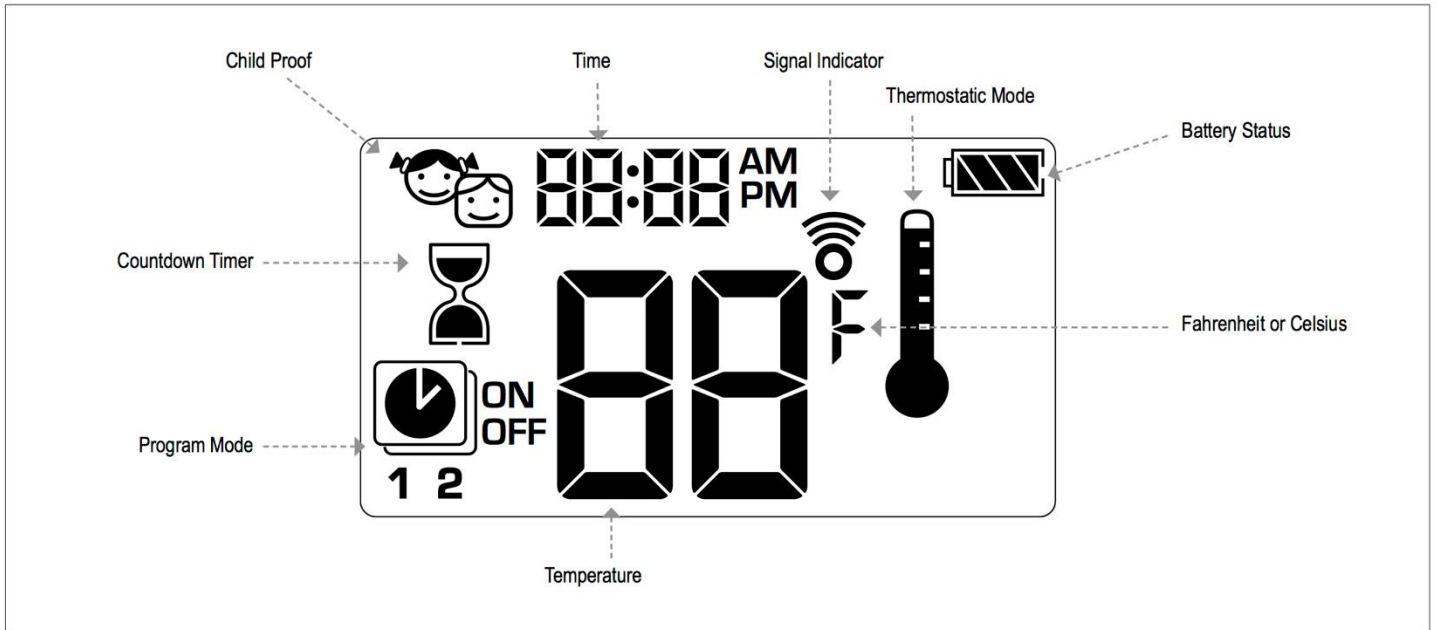
Installation MUST comply with local, regional, state and national codes and regulations. Consult insurance carrier, local building inspector, fire officials or authorities having jurisdiction over restrictions, installation inspection and permits.

This installation must conform to local codes. In the absence of local codes, you must comply with the National Fuel Gas Code, ANSI Z223.1-latest edition in the U.S.A. and the CAN/CGA B149 Installation Codes in Canada.

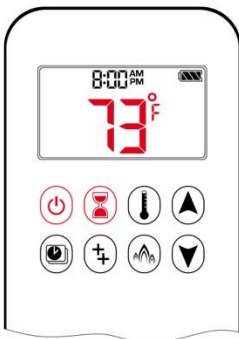
Improper installation, adjustment, alteration, service or maintenance can cause injury or property damage. For assistance or additional information, consult a qualified service technician, service agency or your dealer.

FIREPLACE OPERATION

REMOTE CONTROL INSTRUCTIONS



SETTING FAHRENHEIT or CELSIUS



To change between °C and °F, press and simultaneously.

NOTE: Choosing °F results in a 12 hour clock. Choosing °C results in a 24 hour clock.

CHILD PROOF



ON:
To activate press and simultaneously. displayed and the handset is rendered inoperable, except for the off function.

OFF:
To deactivate press and simultaneously. disappears.

SETTING the TIME



1. Press and buttons simultaneously. **Day** flashes.
2. Press or button to select a number to correspond with the day of the week (e.g. 1=Monday, 2=Tuesday, 3=Wednesday, 4=Thursday, 5=Friday, 6=Saturday, 7=Sunday).
3. Press and buttons simultaneously. **Hour** flashes.
4. To select hour press or button.
5. Press and buttons simultaneously. **Minutes** flash.
6. To select minutes press or button.
7. To confirm press and buttons simultaneously or wait.

MANUAL MODE (HANDSET)

NOTICE

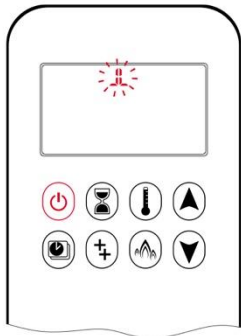
BEFORE OPERATING

1. Make sure MANUAL knob on the GV60 valve is in the **ON**, full counterclockwise position.
2. Place the ON/OFF switch (if equipped) in the **I (ON)** position.

TO TURN ON FIRE

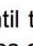
⚠ WARNING

When pilot ignition is confirmed, motor turns automatically to maximum flame height.




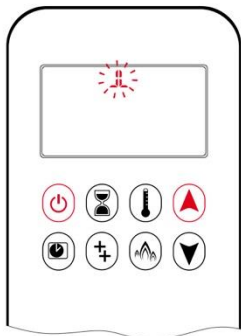
Handset One-Button Operation

(Default Setting)


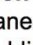
- Press  button until two short beeps and a blinking series of lines confirms the start sequence has begun; release button.
- Main gas flows once pilot ignition is confirmed.
- Handset automatically goes into Manual Mode after main burner ignition.

NOTICE


Change from one-button to two-button ignition operation by pressing and holding  button for 10 sec. immediately after installing batteries. **ON** is displayed and **1** is flashing. When change is complete **1** will change to **2**.



Handset Two-Button Operation

- Press  and  button simultaneously until two short beeps and a blinking series of lines confirms the start sequence has begun; release buttons.
- Main gas flows once pilot ignition is confirmed.
- Handset automatically goes into Manual Mode after main burner ignition.

NOTICE


Change from two-button to one-button ignition operation by pressing and holding  button for 10 sec. immediately after installing batteries. **ON** is displayed and **2** is flashing. When change is complete **2** will change to **1**.

⚠ WARNING

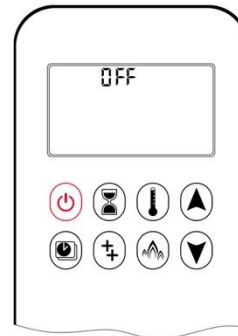
If the pilot does not stay lit after several tries, turn the main valve knob to **OFF** and follow the instructions "TURN OFF GAS TO APPLIANCE" (page 15).

STANDBY MODE (PILOT FLAME)

Handset

- Press and hold  button to set appliance to pilot flame.

TO TURN OFF FIRE



Handset



- Press  button to turn OFF.

NOTE: There is a 5 sec delay before the next ignition is possible.

FLAME HEIGHT ADJUSTMENT

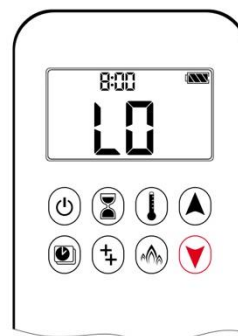



Handset

- To increase flame height press and hold  button.
- To decrease flame height or to set appliance to pilot flame, press and hold  button.

DESIGNATED LOW FIRE and HIGH FIRE

NOTE: Backlight must be on for high fire and low fire double-click operation.



- To go to low fire, double-click  button. **LO** is displayed.

NOTE: Flame goes to high fire first before going to low fire.



- To go to high fire, double-click ▲ button. HI is displayed.

⚠ WARNING

If the appliance will not operate, follow the instructions "TURN OFF GAS TO APPLIANCE" (page 15).

COUNTDOWN TIMER



ON/SETTING:

1. Press and hold ⏸ button until ⌚ displayed, and **hour** flashes.
2. To select hour press ▲ or ▼ button.
3. To confirm press ⏸ button. **Minutes** flash.
4. To select minutes press ▲ or ▼ button.
5. To confirm press ⏸ button or wait.

OFF:

Press ⏸ button, ⌚ and countdown time disappear.

NOTE: At end of countdown time period, the fire turns off. The Countdown Timer only works in Manual, Thermostatic, and Eco Modes. Maximum countdown time is 9 hours and 50 minutes.

MODES of OPERATION



Thermostatic Mode

The room temperature is measured and compared to the set temperature. The flame height is then automatically adjusted to achieve the set temperature.



Program Mode

PROGRAMS 1 and 2, each can be programmed to go on and off at specific times at a set temperature.

THERMOSTATIC MODE

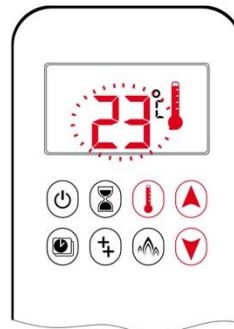


ON:

Press ↓ button. ↓ displayed, preset temperature displayed briefly, and then room temperature displayed.

OFF:

1. Press ↓ button.
2. Press ▲ or ▼ button to enter Manual Mode.
3. Press ⏸ button to enter Program Mode.



SETTING:

1. Press ↓ button and hold until ↓ displayed, temperature flashes.
2. To adjust set temperature press ▲ or ▼ button.
3. To confirm press ↓ button or wait.

PROGRAM MODE



ON:

Press ⏸ button. ⏸, 1 or 2, ON or OFF displayed.



OFF:

1. Press or or button to enter Manual Mode.
2. Press button to enter Thermostatic Mode.

NOTE: The set temperature for Thermostatic Mode is the temperature for the on time in Program Mode. Changing the Thermostatic Mode set temperature also changes the on time temperature in Program Mode.

Default settings:

ON TIME (Thermostatic) TEMPERATURE: 21°C (70°F)

OFF TIME TEMPERATURE: “--” (pilot flame only)



TEMPERATURE SETTING:

1. Press button and hold until flashes. **ON** and set temperature (setting in Thermostatic Mode) displayed.
2. To continue press button or wait. , **OFF** displayed, temperature flashes.
3. Select off temperature by pressing the or button.
4. To confirm press button.

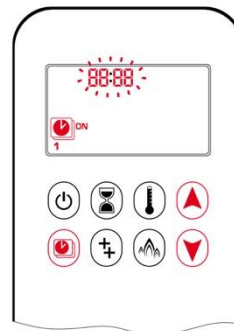
NOTE: The on (Thermostatic) and off set temperatures are the same for each day.



DAY SETTING:

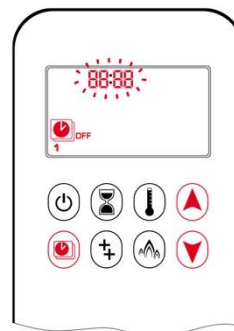
5. **ALL** flashes. Press or button to choose between **ALL**, **SAT-SUN**, 1, 2, 3, 4, 5, 6, 7.
6. To confirm press button.

ALL selected



ON TIME SETTING (PROGRAM 1):

7. , **1, ON** displayed, **ALL** is displayed shortly, and **hour** flashes.
8. To select hour press or button.
9. To confirm press button. , **1, ON** displayed, **ALL** displayed shortly, and **minutes** flash.
10. To select minutes press or button.
11. To confirm press button.



OFF TIME SETTING (PROGRAM 1):

12. , **1, OFF** displayed, **ALL** is displayed shortly, and **hour** flashes.
13. To select hour, press or button.
14. To confirm press button. , **1, OFF** displayed, **ALL** displayed shortly, and **minutes** flash.
15. To select minutes press or button.
16. To confirm press button.

NOTE: Either continue to PROGRAM 2 and set on and off times or stop programming at this point, and PROGRAM 2 remains deactivated.

NOTE: PROGRAM 1 and 2 use the same on (Thermostatic) and off temperatures for **ALL**, **SAT-SUN** and Daily Timer (1, 2, 3, 4, 5, 6, 7). Once a new on (Thermostatic) and/or off temperature has been set, that temperature becomes the new default setting.

NOTE: If **ALL**, **SAT-SUN** or Daily Timer are programmed for PROGRAM 1 and PROGRAM 2 on and off times, these become the new default times. The batteries must be removed to clear the PROGRAM 1 and PROGRAM 2 on and off times and temperatures.

SAT-SUN or Daily Timer (1, 2, 3, 4, 5, 6, 7) selected

- Set on time and off time using same procedure as “**ALL selected**” (above).
- **SAT-SUN**: Set on time and off time for both Saturday and Sunday.
- **Daily Timer**: Unique on and off times may be set for a single day of the week, for multiple days of the week, or for every day of the week.
- Wait to finish setting.

NOTE: The location of the remote control handset is important to assure proper temperature regulation. To obtain a constant temperature. Flare recommends that the handset should be between 3 and 15 feet away from the appliance but not directly above it. We also advise that the handset should be located away from any other heat source and not in direct sunlight as this may affect the temperature sensor located in the remote handset.

RECEIVER AND REMOTE BATTERIES

Batteries – Remote

- 2 x AAA (alkaline recommended).
- Low battery indicator on handsets with display.
- Battery replacement is recommended after 2 years.

Batteries – Receiver

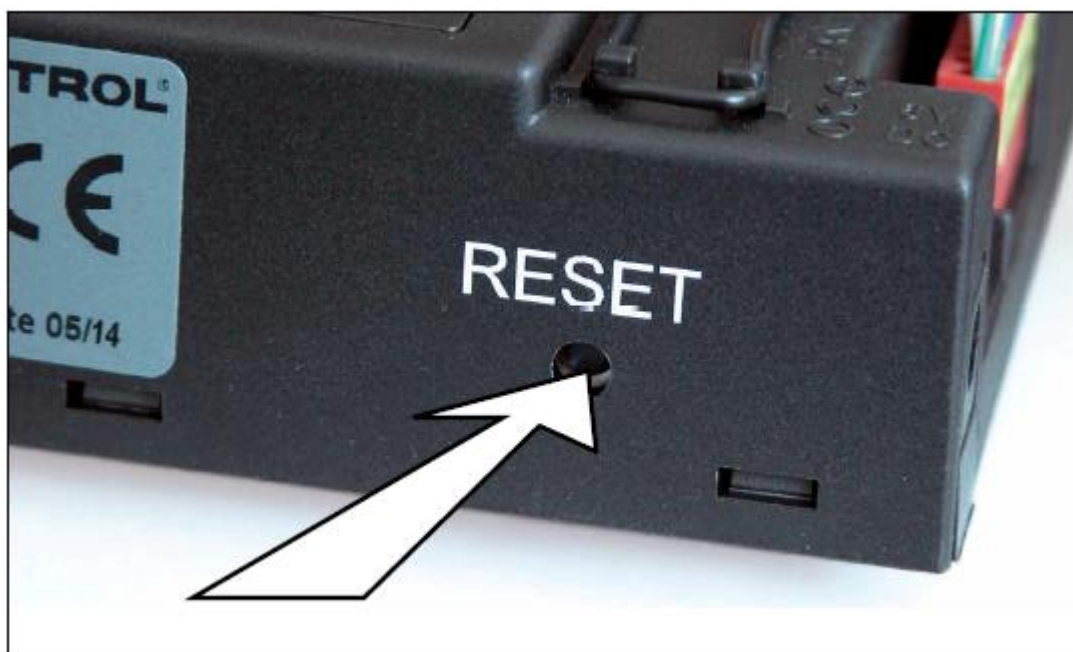
- 4 x 1.5 V “AA” (alkaline ONLY).
- Low battery indication: frequent beeps for 3 seconds when motor turns.
- An AC Mains Adapter may be connected in addition to batteries.
- Without using a mains AC adapter, battery replacement is recommended at the beginning of each heating season as part of the yearly service check.

CAUTION: DO NOT USE a screwdriver or other metallic object to remove the batteries from the battery box!
This could cause a short circuit to the system.

PAIRING REMOTE WITH FIREPLACE RECEIVER

Your remote will come paired with the fireplace receiver to allow operation out of the box. In the event of remote or receiver replacement, use the following procedure to pair the remote with the receiver:

- Press and hold the receiver’s reset button (see figure 21) until you hear two (2) beeps. The first beep is short and the second beep is long. After the second beep, release the reset button.
- Within the subsequent 20 seconds, press the (Down Arrow) button on the handset until you hear two additional short beeps confirming the code is set. If you hear one long beep, this indicates the code learning sequence has failed or the wiring is incorrect.



WALL SWITCH – OPTIONAL

The Wall Switch can be used to control your fireplace.

The following operations can be done from the wall switch:

- Turn On fireplace.
- Turn Off fireplace.
- Increase the flame height.
- Decrease the flame height.



Note that the thermostat and programming functions are not available with the wall switch.

The fireplace receiver will respond to both the wall switch or remote commands, regardless of what was used first or what was used to turn the system on.

The Wall switch is an optional item and is equipped with a 20-foot cable.

MEDIA ARRANGEMENTS

Flare Fireplaces can be equipped with different media types. Follow the instructions below for information on how to add and arrange media in your Fireplace:

- Do not place any type of media on the pilot or in front of the pilot. Keep 1" distance from the pilot to allow correct operation of the pilot.
- Media can be put over the Flare burner. Avoid placing media over the main burner ports as it may disrupt flame in case of a clogged port.
- If using media that was not supplied by Flare Fireplace, make sure that the media is certified/suitable to be used in direct vent gas fireplaces.
- Keep the pilot front cover view open in order to be able to view the pilot spark and flame from outside.
- Fireglass:
 - a. $\frac{1}{4}$ " or $\frac{1}{2}$ " fireglass may be used.
 - b. When the fireplace window is open and media is placed, make sure fireglass does not fall on the ceramic glass lower frame as that may cause breakage when putting back the ceramic glass.
 - c. Make sure pilot is clear of any fireglass particles.
 - d. Flare fireglass can be put safely in to the firebox. Avoid overloading the burner with fireglass, specifically over the main burners ports.
- Maintain minimum distance of $\frac{1}{4}$ " from media to the fireplace glass panels.
- Use the manual for instruction on how to remove and place back the fireplace glass in order to put or arrange the fireplace media.

Ceramic Pebbles



Fireglass



CHOKING HAZARD! Ensure that the fireplace area is clear of fire glass particles as these could be ingested by small children. Vacuum area after installation.

SAFETY SCREEN REMOVAL

Follow the instructions below for safety screen removal.

PLEASE NOTE: Safety screen may be shipped separately from the appliance.

The barrier is designed to reduce the risk of burns from the hot viewing glass and is provided with this appliance. It must remain installed for the protection of children and other at-risk individuals.

Do NOT operate the fireplace without the safety screen barrier.

Front, See Through, and Corner Units

- Safety screen removal requires no tools.
- Push the top frame of the screen up until it clears the bottom of the opening.
- Tilt the bottom of the screen out and pull down so the top frame clears the opening.



EXTERNAL GLASS REMOVAL – DOUBLE GLASS FIREPLACE

Follow the procedure below to remove and install back the fireplace external glass (double glass fireplace configuration).

Note: Suction cups are needed to remove the glass.

Warning! Turn off the fireplace, and allow time for the unit to cool before proceeding.

Caution: The glass is very fragile, and should be handled with care.

Warning! Double glass fireplace should **NOT** be operated without the external glass

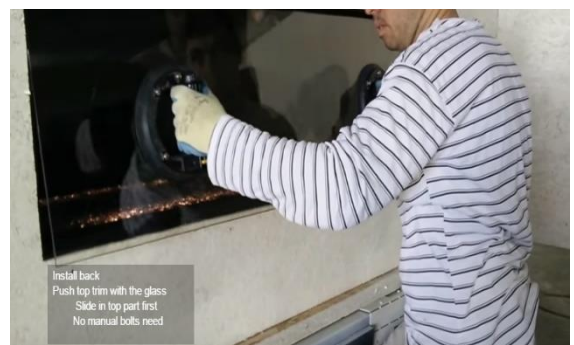
- Confirm lock screws have been removed during install (should be done once, during install only).
- Attach glass suction cups to the glass. Use more than one suction cup if needed (any unit above 45”).
- Using suction cups, slightly push in the external glass top edge.
- Once glass has been pushed, slightly lift the glass to clear bottom part of the glass.
- Remove the glass and place in a secure location.



Install back external glass



- Attach glass suction cups to the glass. Use more than one suction cup if needed (any unit above 45”)
- Place upper edge of the glass in position and push latching trim.
- Once trim has been pushed in, slide glass top in position.
- Tilt in bottom edge of the glass in position as you are lifting the glass up.
- Glass is now secure in place. No bolts are needed to lock the glass.



INTERNAL GLASS REMOVAL

Follow the procedures below to remove and install back the fireplace internal ceramic glass (double glass fireplace configuration).

Note: Suction cups are needed to remove the glass.

Warning! Turn off the fireplace, and allow time for the unit to cool before attempting to remove the glass.

CAUTION: The ceramic glass is very fragile, and should be handled with care.

CAUTION: Do not operate the appliance with glass removed, cracked or broken. Replacement of the panel(s) should be done by a licensed or qualified service person

Step 1 – Attach glass suction cups to the glass. Remove the glass **lower magnetic trim**. Place the trims in a secure place. Any unit above 45" requires 2 suction cups to hold the glass.

Step 2 – Release the glass **lower trim**. The lower trim bolts can be released by hand and should not require any tools. Once bolts are released remove lower glass holder trim.

Step 3 – Hold the glass suction cups and hand release trim bolt on the top. The trim does not need to be removed and will only open to allow a gap for glass removal.

Step 4 – Push the glass up and clear it from the bottom as shown

When putting back the glass, DO NOT overtighten the bolts or glass may break

Step 1



Step 2



Step 3



Step 4-1



Step 4-2



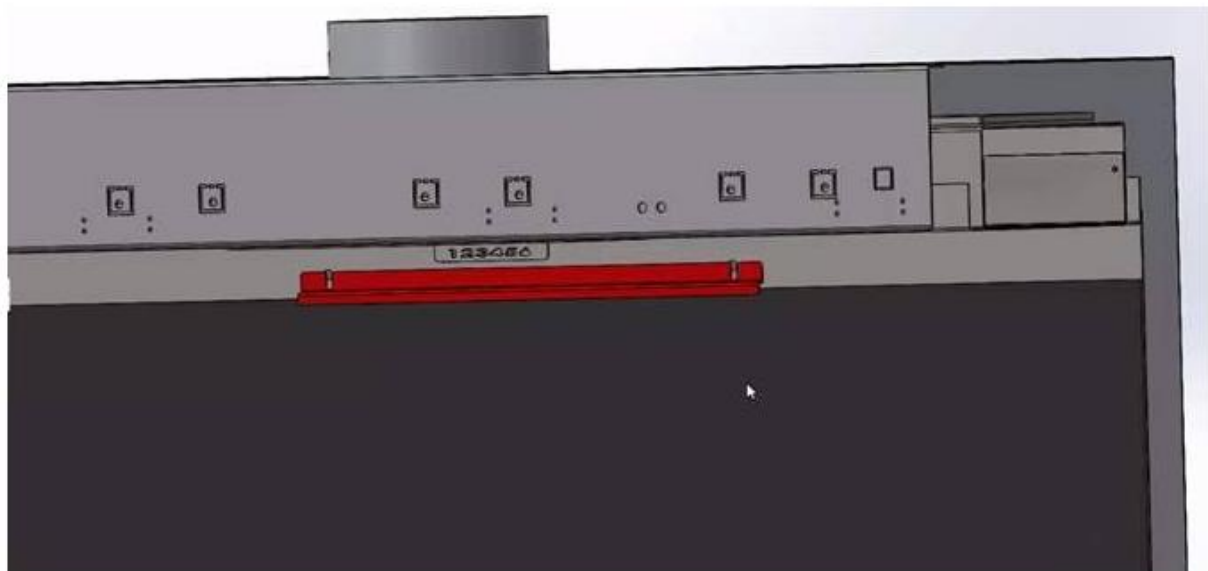
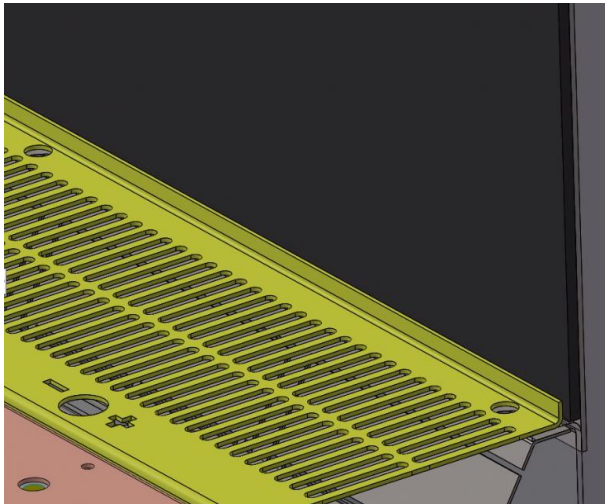
When putting back the glass, DO NOT overtighten the bolts or glass may break

- Use step 4 – 1 for putting the glass back.
- Glass trim screws should be closed hand-tight. DO NOT overtighten the bolts or glass may break.

REFLECTIVE BACK INSTALL

The Flare Fireplace can be ordered with reflective ceramic glass at the back. The ceramic glass is tinted black to create a reflection when the fireplace is running. The ceramic glass will enhance and protect the fireplace look and is very easy to clean.

The reflective back is shipped outside the unit. It should be mounted at the back of the fireplace, placed in the gap between the firebed (shown yellow below) and held by the top mounting bracket (red).



INSTALLATION STEPS

1. Prior to starting the installation, make sure you read and understand all WARNING information in the manual. Do not start the installation if you are unclear about any of the installation related subjects.
2. Determine the following:
 - The vent system configuration to be used based on the fireplace location. Follow the manual venting section ([Chimney path installation & planning tables](#)) to determine the venting requirements and setting.
Note: Venting requirements are model specific.
Note: Make sure the vent requirements are supported by the Flare manual and installation instruction.
 - Clearance requirements from combustible and non-combustible materials. Follow the [clearance instruction and example](#) in the manual.
Note: Clearance instructions and examples are model specific.
 - Gas supply piping.
 - Confirm if the fireplace is going to operate using Natural Gas (NG) or Propane. Use the attached product label to confirm the fireplace is set for the expected gas type.
 - Electrical wiring requirements.
 - Framing and finishing details.
3. Unpack the fireplace box, adjust telescopic legs and place in the upright position. [Follow instruction for fireplace unpacking.](#)
4. Put the Fireplace in the desired location. Verify clearance to non-combustible and combustible materials. Follow the [clearance instruction](#) and example in the manual.
5. For LED units, connect LED system and test LED.
6. Attach the units back bracket to the wall framing.
7. For double glass units only: remove glass locking screws and discard.
8. Adjust Fireplace [vent restrictor](#) based on vent configuration and planning guide. Document vent restrictor setup here: _____.
9. Connect vent system to the Fireplace.
10. Connect gas ([Gas connection section](#)) line to the Fireplace and verify gas inlet and outlet pressure. Measure and document gas pressure here: Inlet _____ W.C.
11. Confirm if adjustments for [high altitude](#) are needed (Installation at above 2000 Ft from sea level).
12. Connect electrical wiring for applicable units.
13. Insert and place Fireplace media. Use [media arrangement](#) guide from the manual.
14. Verification of:
 - Ignition and pilot system.
 - Burning and flame.
15. Complete framing and wall covers.

Read all the instructions before starting the installation. Follow these instructions carefully during the installation to ensure maximum safety and benefit.

Follow the Steps above to insure proper installation of the Gas appliance.

WARNING! Risk of Fire or Explosion! Damaged parts could impair safe operation. DO NOT install damaged, incomplete or substitute components.

INSTALLATION PREPARATION

FIREPLACE UNPACKING

Follow the instructions below for unpacking the unit:

- Check the packing and confirm there is no external damage. If damage exists, please notify Flare Fireplaces immediately.
- Remove the top wood studs and pull the external carton box up.
- Please do not remove the blue wrap completely at this stage.
- Leave the fireplace placed on the pallet for the next step: Fireplace legs setup.



FIREPLACE TELESCOPIC LEGS SETUP

The fireplace legs will need to be set up once box is removed. The legs can be configured so that the bottom of the glass will be between 10"-19" above the floor. This means the bottom of the fireplace will be 4"-13" above the floor. Follow the steps below for telescopic legs setup prior to final positioning of the fireplace.

On Corner units (Flare-RC/LC/DC/RD) front legs will need to be assembled.

Fireplace must NOT be installed without telescopic legs extended to a minimum of 3".

Installing fireplace without telescopic legs is a fire hazard.

Installing the Fireplace without legs (sitting on the fireplace frame) may bend the frame & cause glass breakage.

Fine Tuning

After extending the legs to the desired length, use the wrench included to fine tune the feet so that the fireplace is level.

Note that the feet are intended for minimal adjustments and not to be extended completely for extra height. Doing so will make the fireplace unstable.



LEG SETUP FOR FRONT AND SEE THROUGH UNITS

- Step 1 - Release the 3 screws from the leg.
- Step 2 – Extend the telescopic leg to the desired length, minimum 4” (That will set the fireplace 10” from the bottom of the glass to the floor).
- Step 3 – Retighten the three screws to secure the telescopic leg in position. Note that the top screw inserts into the holes only for alignment. The two bottom screws tighten down on the legs but are not inserted into holes.
- Step 4 – Repeat Steps 1-3 for each on the fireplace so that they are all extended to the same length.
- Step 5 – Stand the fireplace up and fine tune the feet with the wrench included so the fireplace is level. Open the screws to raise the fireplace. Close the screws to lower the fireplace.

Step 1



Step 2



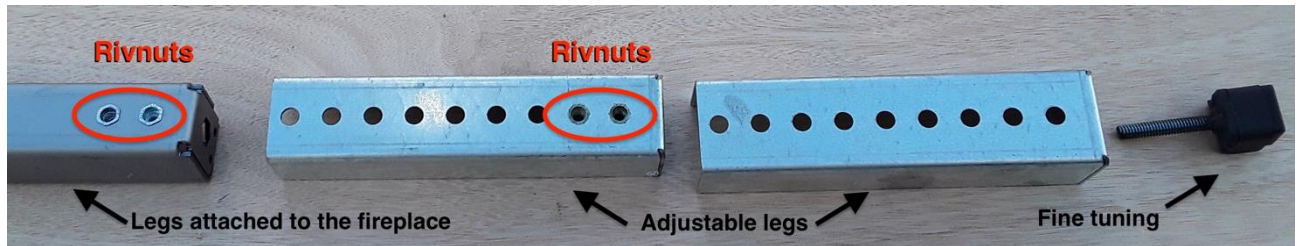
Step 3



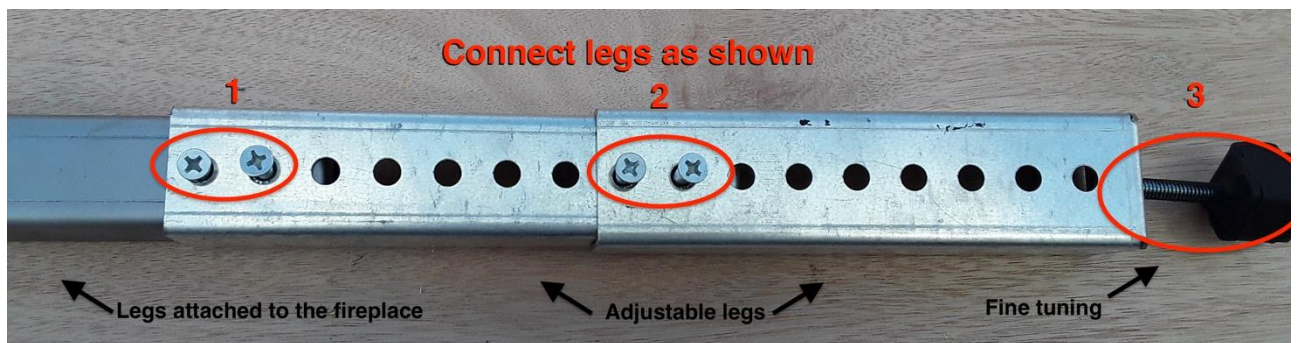
LEG SETUP FOR CORNER UNITS

Included are 4 screws, 2 adjustable legs, 1 foot for fine tuning, and 1 special wrench for adjusting the feet while the fireplace is standing.

- First, identify the correct order to connect the legs. The first adjustable leg that attaches to the fireplace has rivnuts as seen in the image below. The second adjustable leg has a place for the foot to be screwed in on the bottom as seen in the images below.



- Next, determine which holes to insert the 4 screws so that the fireplace will stand at the desired height after the foot for fine tuning is also screwed in.
- Insert the 4 screws into the holes and rivnuts beneath and tighten. Screw in the foot so that it can later be adjusted to slightly raise or lower the fireplace.
- Configure remaining legs to the same height.



- Stand the fireplace up and fine tune the feet with the wrench provided so the fireplace is level. Open the screws to raise the fireplace. Close the screws to lower the fireplace.



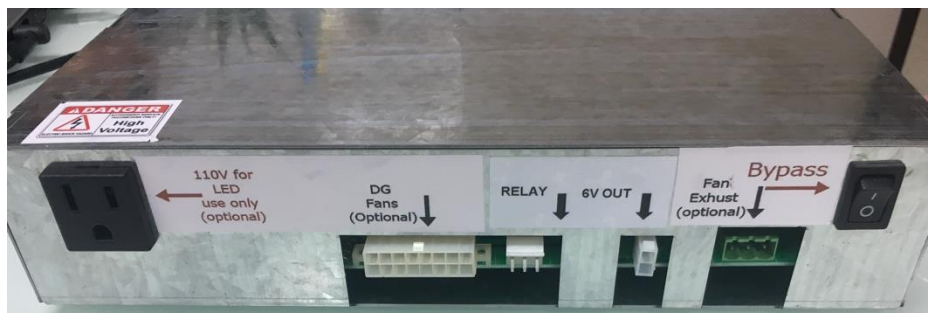
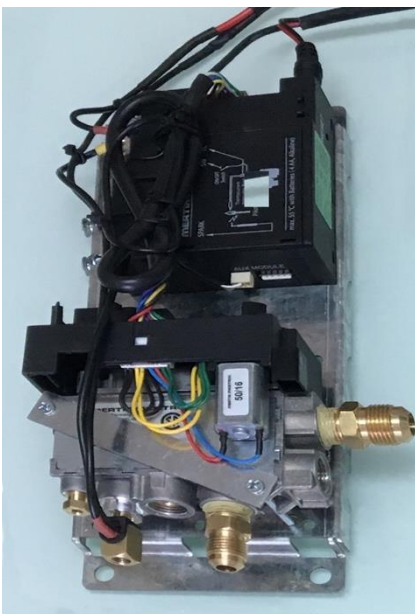
UNPACKING CONTROL UNIT AND ACCESSORIES

Unpack the gas valve, receiver, control module (for double glass units) and accessories (remote, power adapter & wall switch).

- Place accessories (white bag) in a secure location.
- The control unit (gas valve and receiver) is attached to the fireplace on an “umbilical cord”. Once fireplace is moved to its final location the control unit can be put close to the service access door.



Gas valve and receiver:



Optional control module for double glass units.

REPLACE POSITIONING

Once Fireplace has been set to the upright position, it can be moved to its final installation location.

- Make sure the control unit is secure and not dragging on the floor during transport and positioning.
- Unit should remain on the pallet during transport inside the site location.
- When positioning the fireplace, take consideration of clearance requirements and framing. Use the manual clearance guide for more details.
- Attach the fireplace top brackets to the metal stud in the back to secure the fireplace in place. The bracket length can be adjusted by releasing the screws on the top.



Fireplace should remain on the wood pallet when carried to final installation location.

Do not attempt to use a pallet jack or any other moving tools if the unit has been removed from the wood pallet as it may harm the fireplace components under the unit.



Make sure to use only non-combustible material in case top the bracket needs to be extended to connect to the back or sides.

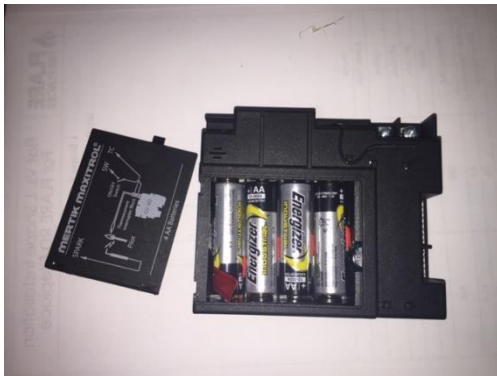
FIREPLACE ELECTRICAL CONNECTION

The Flare Fireplaces line uses electronic pilot ignition and requires a power source to operate with the following options:

Safety screen units

- **Option 1** - Battery powered: 4 x AA Alkaline battery installed inside the fireplace receiver.
- **Option 2** - External optional power adapter – Input 110V – Output 6V.

Note: It is not recommended to use both AA batteries and power adapter.



Power option 1

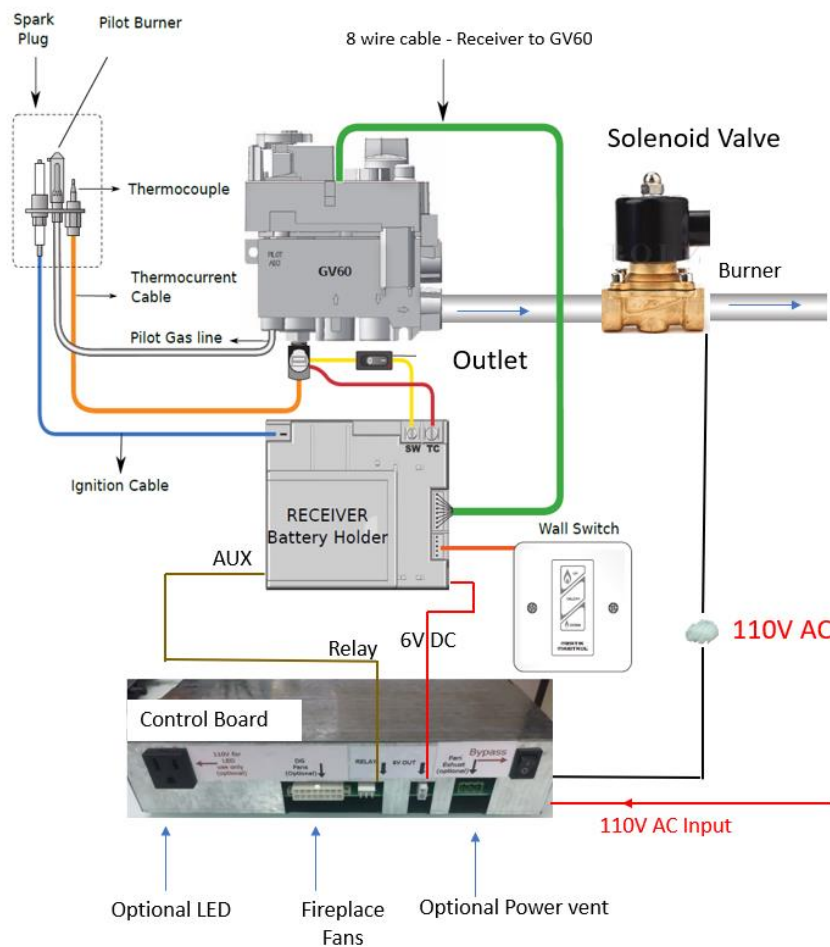
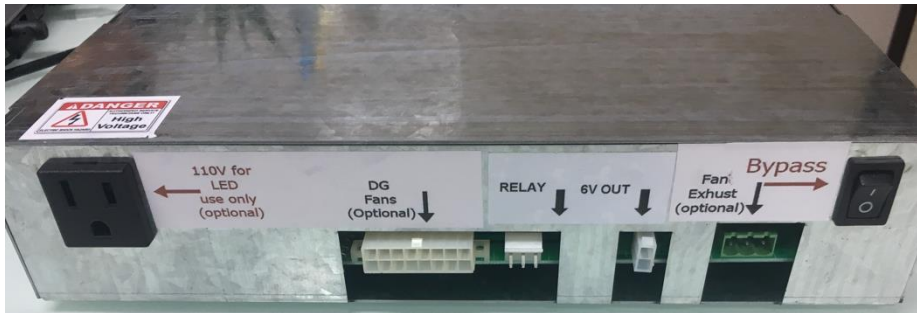


Power option 2

- The Flare Fireplace gas valve and control system is on an “Umbilical cord” that can be stretched up to 50 inches from the middle of the fireplace. Make sure your power outlets are located near the selected location for the Flare gas/LED systems.
- LED connection will require an additional 110V power source. Please review LED connection section of the document.

Double glass unit

Connect the Control Board as labeled on the side or as shown in the picture below.



NOTE:

- Double glass fireplace should not be installed with AA batteries inside the receiver.
- The electrical line to the fireplace must supply 120 Volts, 60 Hz, and 15 Amps (maximum draw). **A dedicated circuit for the fireplace is recommended.**
- The Flare Fireplace gas valve and control system is on an “umbilical cord” that can be stretched up to 50 inches from the middle of the fireplace. Make sure power outlets are located near the selected location for the Flare gas/LED systems. Consider the location of a 10x10 inch access door.
- Make sure the household **breaker is shut off** prior to working on any electrical connection.

- Turn the breaker ON **only** after all wiring is in place (Power vent, LED and Fireplace, etc.).
- The appliance, when installed, must be electrically grounded in accordance with local codes or, in the absence of local codes, with the National Electrical Code, ANSI/NFPA 70, or the Canadian Electrical Code, CSA C22.1.
- See next section for LED power connection.

LED LIGHTS

The Flare Fireplace can be ordered with optional multi-color interior RGB LED lighting or warm white LED. The lights allow perfect flames to be viewed across a bed of illuminated crushed glass.

RGB LED – Multi color option controlled by a remote control for color selection. Once the color has been selected by the operator, next time LED is turn use, system will remember and maintain color selected.

Warm white – Single warm white color to complement the flame color.



LED Operation:

Option 1 – Double Glass unit

- LED power is connected to the Flare control system (Labeled in picture above as LED Power Outlet, and below as [Connection C](#))
- LED will turn On and Off with the fireplace, controlled by the fireplace remote or wall switch.
- Color control can be done by the LED remote.
- Once a color is selected, the LED remote can be stored away.
- LED to be switched Off when fireplace is turned off.
- LED cannot be switched On when fireplace is off.

Option 2 – Screen or Double Glass

- LED connected to independent power source, home automation system or smart outlet.
- LED can be turn ON/OFF from LED remote, independent from the fireplace.
- LED can be turned on, even when fireplace is off.

LED LIGHT INSTALL AND POWER

It is best if LED lights are connected and tested during the initial stages of installation in order to allow easy access under the unit (before the wall finishing material is done).

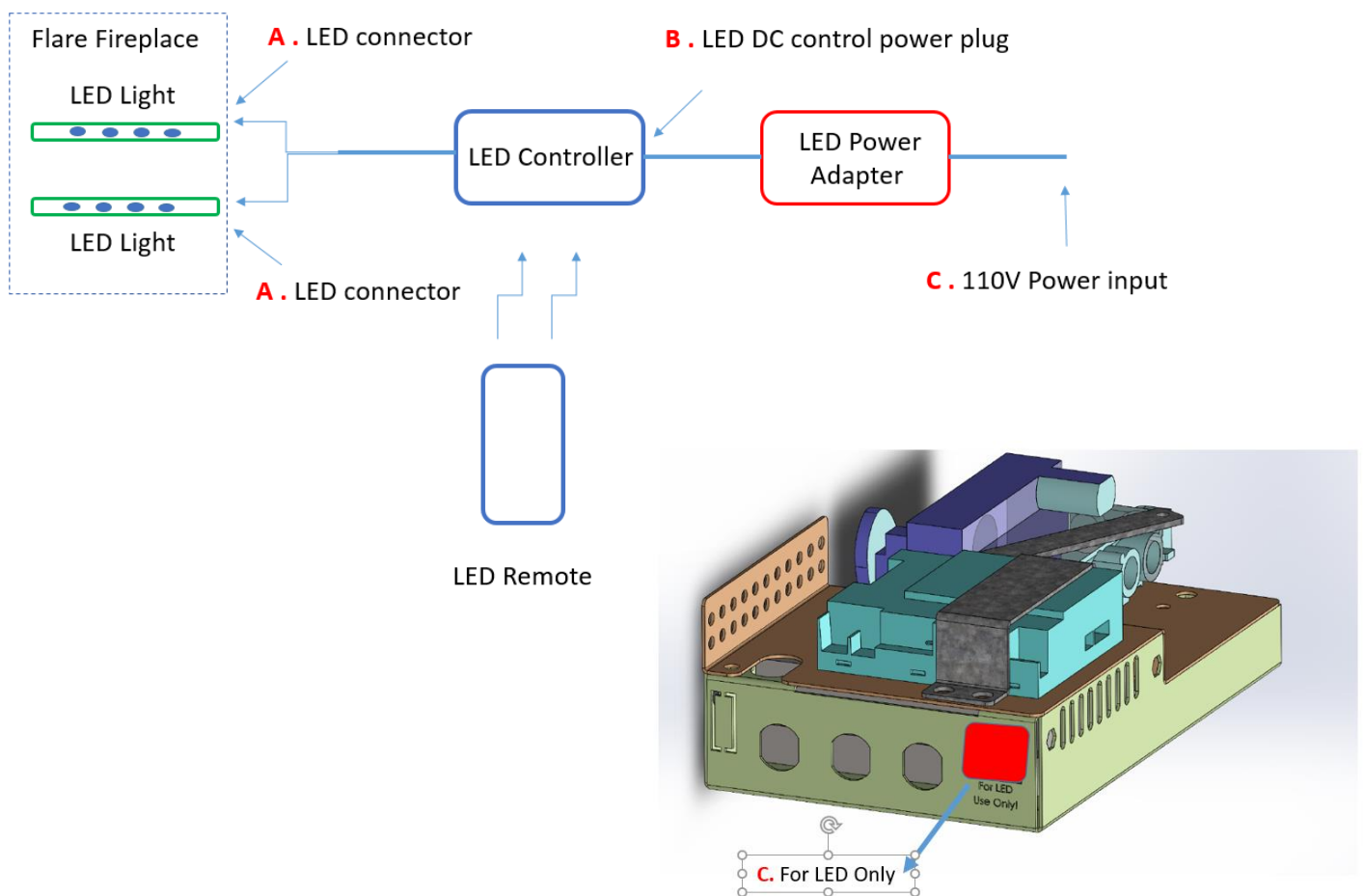
Testing the LED light requires a 110V power source.

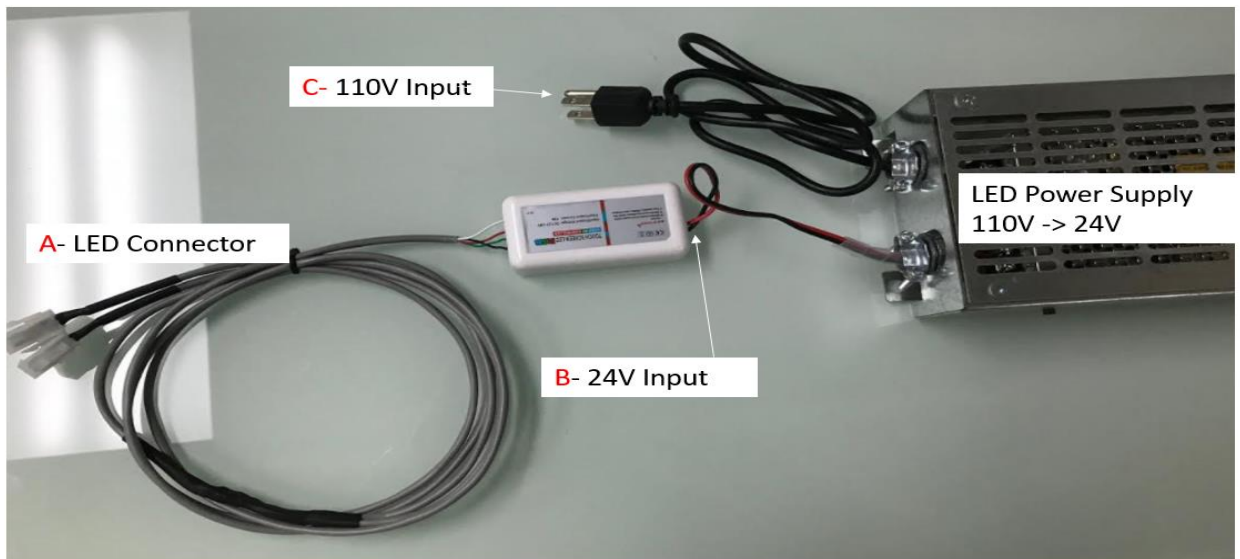
Installation steps:

1. Remove all LED components from the shipping bag.
2. Components are pre-connected prior to shipping. Connect LED connectors (points **A**) to the fireplace using the quick connect connectors.
3. Connect LED control system to the power supply (point **B**)
4. Connect LED Power supply to an external power source (point **C**). Do not connect the LED to the Flare control LED plug at this point. Use the LED remote to turn the LED on the LED system.

Once testing is done, connect the LED power adapter to final power source (Point **C**), Option 1 or Option 2 as detailed in the previous page.

Power outlet on the Flare control is optional for LED ONLY





LED CONTROLLER AND REMOTE

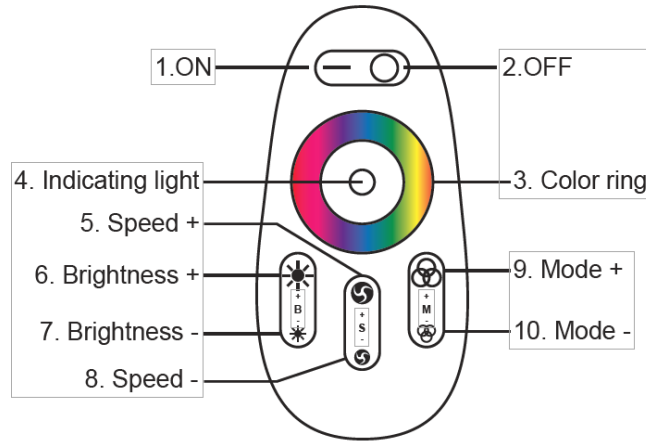
Product Specification

The Flare high-performance RGB LED touch remote controller adopts the most advanced PWM control technology. This remote controls all RGB LED products with 4 lines of circuits (COMMON ANODE), owning 640 thousand colors & 20 automatic changing modes to choose from.

REMOTE	MATERIAL	110x52x20mm
	POWER	AAA Battery *2pcs
	MATERIAL	ABS
	FABRICATION PROCESSING	Multicolor Printing & UV Varnish
CONTROLLER	SIZE	85x45x23mm
	WORKING VOLTAGE	DC12V~24V
	CONTROL WAY	RGB 3 CHANNELS
	MAX LOAD PER CHANNEL	6A
	OUTPUT CONNECTION	COMMON ANODE
	TELECONTROL DISTANCE	30 METERS
	PROGRAMS	20 KINDS



RGB Strip is using 24V DC power adapter. Warm white LED Strip Is using 12V DC power supply.



Mode selection and remote

NUMBER	MODE	BRIGHTNESS STATE	SPEED STATE
1	STATIC WHITE	ADJUSTABLE	UNADJUSTABLE
2	WHITE COLOR GRADUAL CHANGES	ADJUSTABLE	ADJUSTABLE
3	ALL COLORS GRADUAL CHANGES	ADJUSTABLE	ADJUSTABLE
4	RED/GREEN/BLUE 3 COLORS GRADUAL CHANGE	ADJUSTABLE	ADJUSTABLE
5	7 COLORS JUMP TO CHANGE	ADJUSTABLE	ADJUSTABLE
6	3 COLORS JUMP TO CHANGE	ADJUSTABLE	ADJUSTABLE
7	RED/GREEN JUMPS TO CHANGE	ADJUSTABLE	ADJUSTABLE
8	REB/BLUE JUMPS TO CHANGE	ADJUSTABLE	ADJUSTABLE
9	BLUE/GREEN JUMPS TO CHANGE	ADJUSTABLE	ADJUSTABLE
10	WHITE COLOR FREQUENTLY BLINKS	ADJUSTABLE	ADJUSTABLE
11	WHITE COLOR GLITTERS	ADJUSTABLE	ADJUSTABLE
12	RED COLOR FREQUENTLY BLINKS	ADJUSTABLE	ADJUSTABLE
13	RED COLOR GLITTERS	ADJUSTABLE	ADJUSTABLE
14	GREEN COLOR FREQUENTLY BLINKS	ADJUSTABLE	ADJUSTABLE
15	GREEN COLOR GLITTERS	ADJUSTABLE	ADJUSTABLE
16	BLUE COLOR FREQUENTLY BLINKS	ADJUSTABLE	ADJUSTABLE
17	BLUE COLOR GLITTERS	ADJUSTABLE	ADJUSTABLE
18	YELLOW COLOR FREQUENTLY BLINKS	ADJUSTABLE	ADJUSTABLE
19	YELLOW COLOR GLITTERS	ADJUSTABLE	ADJUSTABLE
20	CIRCULATION MODE		

Code Matching:

Please follow the instructions below:

- Confirm it is correctly connected between power supply, LED controller & LED load.
- Switch the power off, then switch it on again, & press key 5 once (within 3 seconds) the moment you see the light is on.
- The LED will blink twice slowly when it is completed.

Code Clearing:

The code can be cleared as needed. The kit (remote & controller) will stay in the original state after code clearing and can work again when code re-matching is done.

Please follow the instructions below:

Confirm it is correctly connected between power supply, LED controller & LED load.

- Switch the power off, then switch it on again, & long press key 5 (within 3 seconds) the moment you see the light is on.
- The LED blinks 9 times swiftly when completed.

VENT TERMINATION

Framing for vents in combustible walls and ceilings:

When passing through combustible walls and ceilings, framing will depend on the type of vent installation -- horizontal or vertical. Ensure that the insulation is kept clear of the vent pipe using either a wall thimble or an attic insulation shield. Follow the installation instructions supplied with the individual venting components.

These instructions should be used as a guideline and do not supersede local codes in any way. Install venting according to local codes, these instructions, the current National Fuel Gas Code (ANSI-Z223.1) in the USA or the current standards of CAN/CSA-B149.1 in Canada.

Approved Pipe - This appliance is approved for use with M&G DuraVent venting and ICC.

DO NOT mix pipe, fittings or joining methods from different manufacturers.

For detailed DuraVent chimney installation information please use the M&G DuraVent direct vent installation manual:

<http://www.duravent.com>

For detailed ICC chimney installation information please use the ICC direct vent installation manual:

<http://icc-chimney.com/en/exceldirect>

Instructions

- Where a vent pipe passes through a floor or ceiling, a ceiling firestop **MUST** be used to retain insulation and maintain proper clearances. Use roof support brackets where needed.
- Install the first section of vent pipe into the collar on top of the fireplace.

- Connections between each vent system component must be tightly joined and secured. Follow the vent manufacturer’s instructions for information on how to seal and secure vent and vent connections.
- Horizontal runs of vent pipe must be supported to prevent any downward sags. Horizontal pipe sections should be supported at least every 4 feet. Wall Straps can be used for this purpose.
- When installing the vent pipe, make sure that the vent pipe is supported by the structural/frame surrounding and not by fireplace.

Follow the vent manufacturer’s instruction for information on how install, seal and secure vent and vent connections.

WARNING!

DO NOT pack insulation around the vent. Insulation must be kept back from the pipe to prevent overheating.

ALWAYS maintain specified clearances around venting and firestop systems.

Install wall shield and ceiling firestops as specified.

VENT AND FIREPLACE SIZE

Size	Vent Size
Flare 25	4x6
Flare 30	4x6
Flare 45*	5x8 Or 4x6 *
Flare 50	5x8
Flare 60	5x8
Flare 70	5x8
Flare 80	5x8
Flare 100	5x8

*Flare-RD-45 is shipped with 5x8 vent. All other Flare 45 are shipped out with 4x6 vent

MINIMUM COMBUSTIBLE CLEARANCES FROM VENT

- **HORIZONTAL VENT CLEARANCES:** A minimum clearance of **3 inches** (76mm) to the top and **1 inches** (51mm) to the sides and bottom of the vent pipe on all horizontal runs to combustibles is required.
- **VERTICAL VENT CLEARANCES:** A minimum of **1 inches** (25mm) all around the vent pipe on all vertical runs to combustibles is required except for clearances in appliance enclosures.
- **Horizontal vents** have a minimum **1/4 inch** (6mm) **rise per 1 foot** towards the termination.

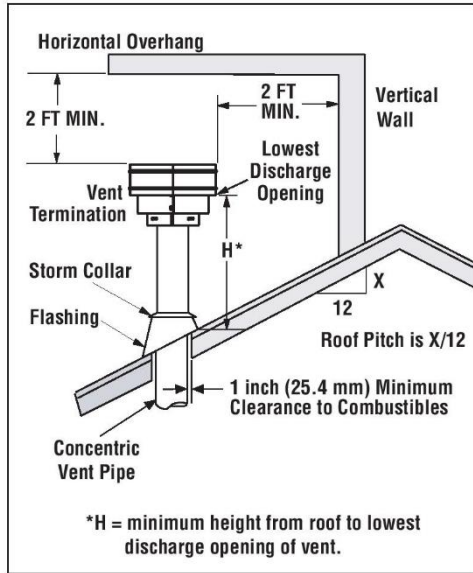
Frame cutout table taken from the DuraVent or ICC installation manual

TABLE 1		
DIRECTVENT PRO FRAMING OR CUTOUT DIMENSIONS		
STOCK NUMBER	COMPONENT DESCRIPTION	SIZE
46DVA-WT	Wall Thimble	10"x 10"
46DVA-WTS	Wall Thimble (Small)	9"x 9"
46DVA-WTU	Wall Thimble Universal	9"x 9"
46DVA-CS	Ceiling Support	10-3/4"x 10-3/4"
46DVA-FS	Fire Stop	9"x 9"
46DVA-WFS	Wall Fire Stop	10"x 10"
46DVA-VSS	Vinyl Siding Standoff	17"x 17"
46DVA-CF	Counter Flashing (Assembled)	13-1/2"x 13-1/2"
46DVA-CFK	Counter Flashing (4pc.Kit)	13-1/2"x 13-1/2"
46DVA-CFKS	Counter Flashing (Kit Small)	10-1/2"x 10-1/2"
46DVA-VSK	Vinyl Siding Standoff (4 Pc.Kit)	13-1/2"x 13-1/2"
46DVA-VSKS	Vinyl Siding Standoff (Kit Small)	10-1/2"x 10-1/2"
46DVA-IS	Insulation Shield	9"x 9"
58DVA-WT	Wall Thimble	10-1/2"x 10-1/2"
58DVA-WTS	Wall Thimble (Small)	9"x 9"
58DVA-WTU	Wall Thimble Universal	9"x 9"
58DVA-CS	Ceiling Support	10-3/4"x 10-3/4"
58DVA-FS	Fire Stop	10-1/2"x 10-1/2"
58DVA-WFS	Wall Fire Stop	10-1/2"x 10-1/2"
58DVA-VSS	Vinyl Siding Standoff	19-1/2"x 19-1/2"
56DVA-VSK	Vinyl Siding Standoff (4 Pc.Kit)	16"x 16"
58DVA-CF	Counter Flashing (Assembled)	16"x 16"
58DVA-CFK	Counter Flashing (4pc.Kit)	16"x 16"
58DVA-IS	Insulation Shield	11"x 11"

VERTICAL TERMINATION

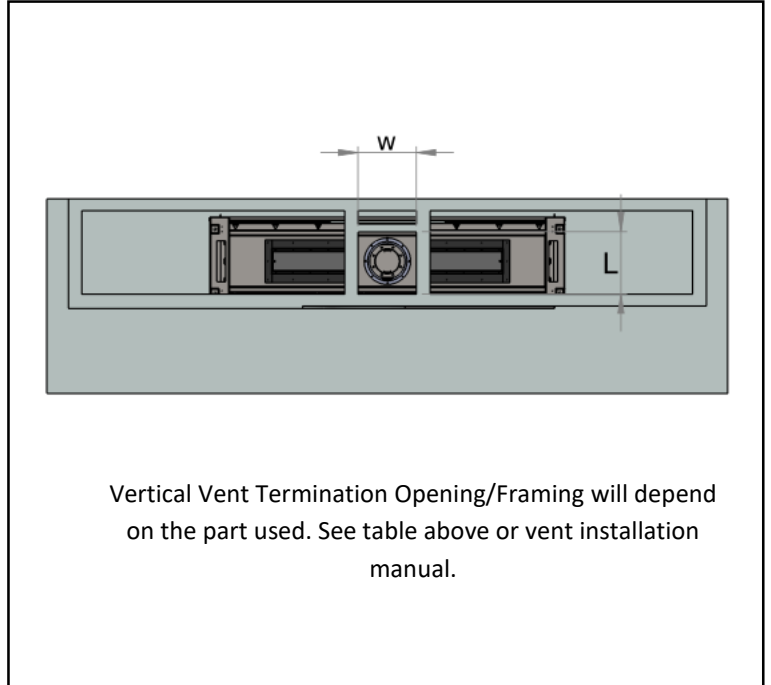
See the table on the previous page for minimum cutout dimensions or frame openings around wall venting. Make sure clearances to combustible material are maintained based on vent part used. Note: size of vents depends upon specific fireplace and cutout sizes vary according to the DuraVent or ICC part number used.

Minimum height from roof to lowest discharge opening



Termination Heights for Vents Above Flat or Sloped Roofs (Ref. NFPA 54 / ANSI Z223.1)

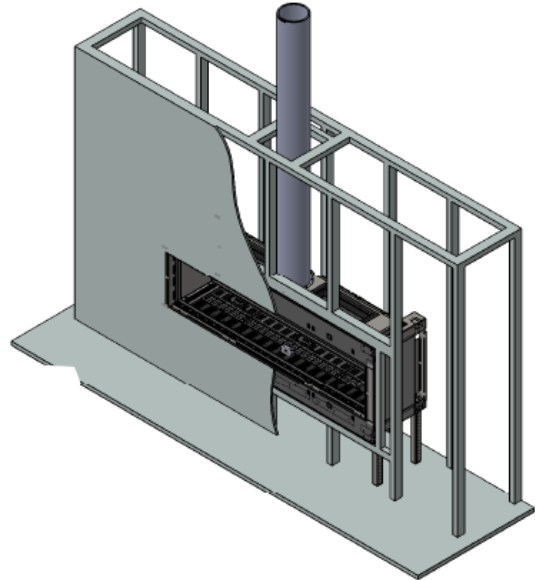
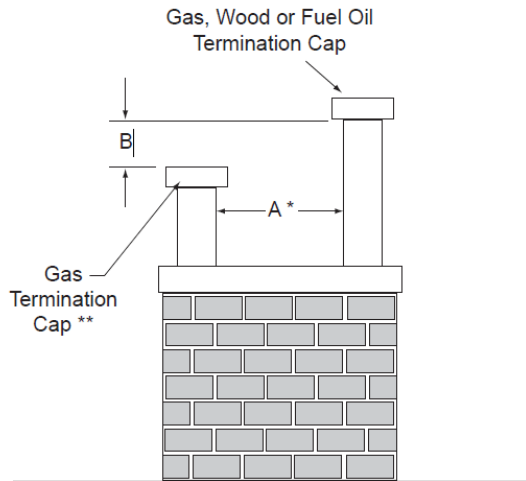
Roof Pitch	*Feet	*Meters
Flat to 6/12	1.0	0.3
6/12 to 7/12	1.25	0.38
7/12 to 8/12	1.5	0.46
8/12 to 9/12	2.0	0.61
9/12 to 10/12	2.5	0.76
10/12 to 11/12	3.25	0.99
11/12 to 12/12	4.0	1.22
12/12 to 14/12	5.0	1.52
14/12 to 16/12	6.0	1.83
16/12 to 18/12	7.0	2.13
18/12 to 20/12	7.5	2.29
20/12 to 21/12	8.0	2.44



- Minimum 24" horizontal clearance to any surface (such as an exterior wall) for vertical terminations

Multiple terminations

A	B
6 in. (minimum) up to 20 in. <i>152 mm/508 mm</i>	18 in. minimum <i>457 mm</i>
20 in. and over	0 in. minimum



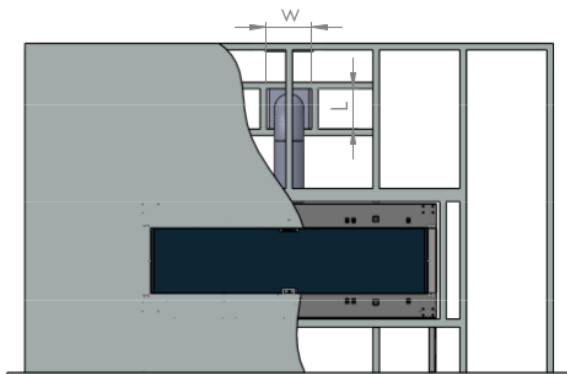
* If using decorative cap cover(s), this distance may need to be increased. Refer to the installation instructions supplied with the decorative cap cover.

** In a staggered installation with both gas and wood or fuel oil terminations, the wood or fuel oil termination cap must be higher than the gas termination cap.

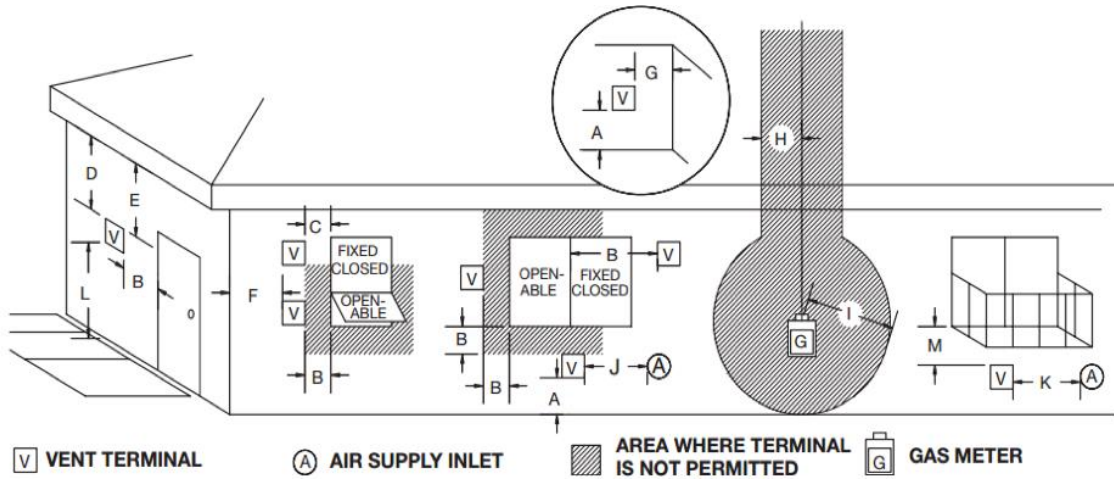
HORIZONTAL TERMINATION

A minimum distance of 18 inches should be kept between multiple horizontal terminations.

[See the table on page 32](#) for minimum cutout dimensions or frame openings around wall venting. Make sure clearances to combustible material are maintained based on vent part used. Note: size of vents depends upon specific fireplace and cutout sizes vary per the DuraVent part number used.



Vent termination clearances



A	*12 inches (30 cm) min.	Clearances above grade, veranda, porch, deck, or balcony
B	*12 inches (30 cm) min.	Clearance to window or door that may be opened
C	12 inches (30 cm) min.	Clearance to permanently closed window recommended to prevent condensation on window
D	30 inches (76 cm) min. for Flare units 80” and 100” 18 inches (46 cm) min. for Flare units 70” and below (vinyl surfaces require 24 inches (61 cm) min.)	Vertical clearance to ventilated soffit located above the terminal within a horizontal distance of 2 feet (60 cm) from the edge of the terminal
E	30 inches (76 cm) min. for Flare units 80” and 100” 18 inches (46 cm) min. for Flare units 70” and below (vinyl surfaces require 24 inches (61 cm) min.)	Clearance to unventilated soffit.
F	6 inches (15 cm) min.	Clearance to outside corner
G	6 inches (15 cm) min.	Clearance to inside corner
H	3 feet (90 cm) min.	*Not to be installed above a meter/regulator assembly within 3 feet (90 cm) horizontally from the center-line of the regulator
I	3 feet (90 cm) min.	Clearance to service regulator vent outlet

J	*12 inches (30 cm) min.	Clearance to non-mechanical air supply inlet to building or the combustion air inlet to any other appliance
K	*6 feet (1.8 m) min.	Clearance to a mechanical air supply inlet
L	*7 feet (2.1 m) min.	^ Clearance above paved side-walk or a paved driveway located on public property
M	**30 inches (76 cm) min.	Clearance under veranda, porch, deck, or balcony

^ a vent shall not terminate directly above a side-walk or paved driveway which is located between two single family dwellings and serves both dwellings*

** only permitted if veranda, porch, deck, or balcony is fully open on a minimum of 2 sides beneath the door*

* as specified in CGA B149 Installation Codes, note: local Codes or Regulation may require different clearances

* for U.S.A. Installations follow the current National Fuel Gas Code, ANSI Z223.1

***Horizontal vent termination minimum clearance to adjacent structure or fence is 48".

**** Minimum 24" horizontal clearance to any surface (such as an exterior wall) for vertical terminations

VENT RESTRICTOR SETUP

Flare Fireplace direct vent system is equipped with a vent restrictor. Use Chimney Path Installation and Planning on the next page to determine the right vent restrictor setup for your installation.

Vent restrictor changes and setup should only be done by a certified installer.

- The unit leaves the factory with the vent restrictor open.
- The vent restrictor is adjusted using a 10mm wrench below the front upper frame.
- The vent restrictor setting is from 1 (minimum restriction) to 6 (maximum restriction).
- The installer will document the restrictor setting in the end of the installation.
- Use the [vent planning guide](#) and table to determine the restrictor setting.



Signs the vent restrictor needs to be adjusted:

Vent restrictor should be opened if the flame has the following characteristics:

- Flame is excessively tall and lifting.
- Flame lacks movement.

Vent restrictor should be closed if the flame has the following characteristics:

- Flame height is low.
- Flame has excessive movement

Document any change to the restrictor setting.

Contact Flare Fireplaces for support if needed.

CHIMNEY PATH INSTALLATION AND PLANNING

Before vent installation, the installer should read these instructions to ensure that the proper vent configuration has been selected.

General instructions

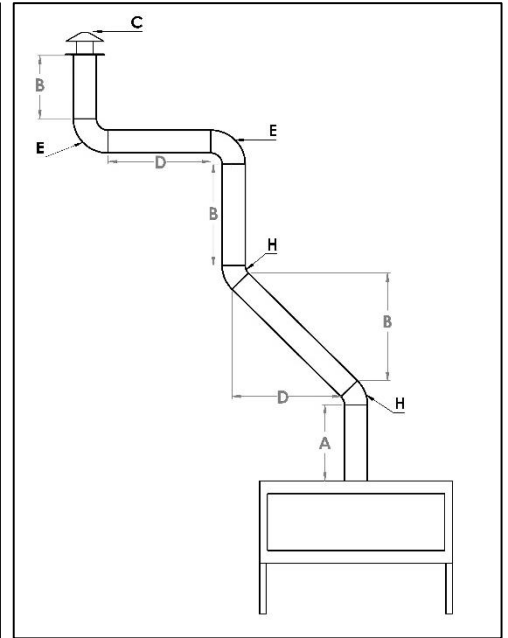
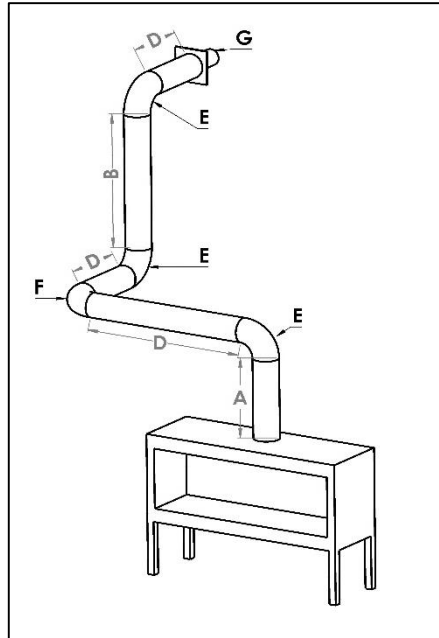
- Diagonal runs have both vertical and horizontal vent aspects when calculating the effects. Use the rise for the vertical aspect and the run for the horizontal aspect.
- Various combinations of vent runs may be used. Refer to the tables below based on Fireplace size. [Use the attached example](#) for clarification on how to use the table.
- The numbers in the table represent the restrictor setting based on the vent path.
 - Symbol “x” in the table means the path is not allowed.
 - Setting the restrictor to 1 means there is no restriction.
 - Numbers in the table represent the restrictor setting to be set.
- Document the restrictor setting configuration prior to leaving the installation site.
- The tables apply to both NG (Natural Gas) and Propane.
- Minimum 3 ft vertical run (A) required before any bend or turn.
 - [See Flare Front and Flare See Through exception.](#)
 - [See Flare 50 & 60 5x8 table for exception](#)
- A maximum of **four** 90° vent elbows are allowed in the vent run. Any configuration with more than 4 elbows requires vent review and approval from Flare Fireplaces.
- Two 45° elbows may be used in place of one 90° elbow.
- The tables represent the manufacturer’s guideline based on testing and design. Additional external factors may affect the restrictor choice needed. If flame appears to be not typical, please contact Flare Fireplaces for restrictor size recommendations.
- Use the empty table in the page below to document and calculate the installation vent path.
- Any venting pathway that does not appear the tables below require approval from Flare Fireplaces.

For optimum performance and flame appearance, keep the vent length to a minimum and limit the number of elbows.

FLARE 25

Suitable for all Flare 25 appliances: Flare Front 25, Flare See-Through 25, Flare Double Corner 25, Flare Left Corner 25, Flare Right Corner 25.

Length	
X - Effective Horizontal Length	
Y - Effective Vertical Length	
Y Axis Parameters	
A	First Flue length (1 m / 3 ft. min)
B	Vertical Flue length
C	Roof Terminal = 0.5 m / 1.5 ft.
H	Small Elbow (45°) = 0.3 m / 1 ft.
X Axis Parameters	
D	Horizontal Flue length
E	Elbow (90°) = 1 m / 3 ft.
F	Elbow (lying 90°) = 2 m / 6 ft.
G	Wall Terminal = 1 m / 3 ft.



Restrictor level (Table 1):

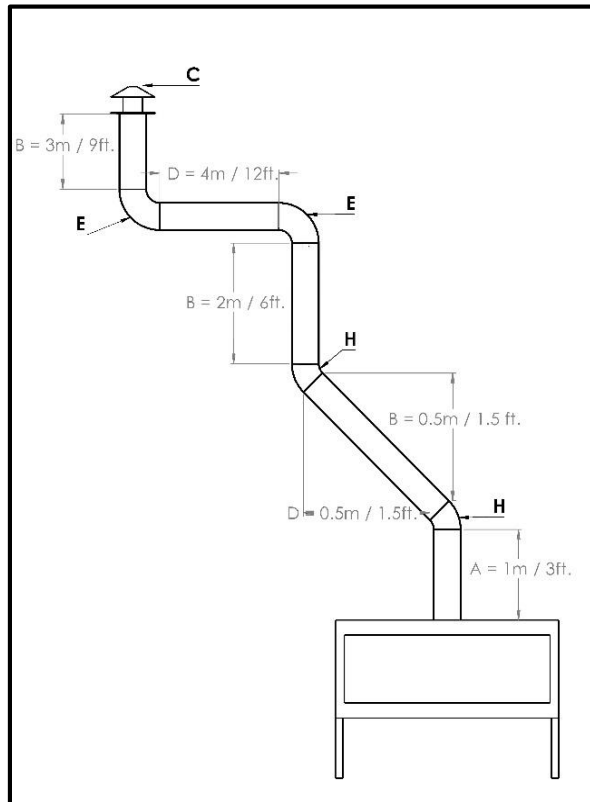
Adjust Restrictor level using Table 1:

1 – 6: adjust your restrictor level according to the table.
 X: Not Eligible chimney path! Plan a different chimney path.

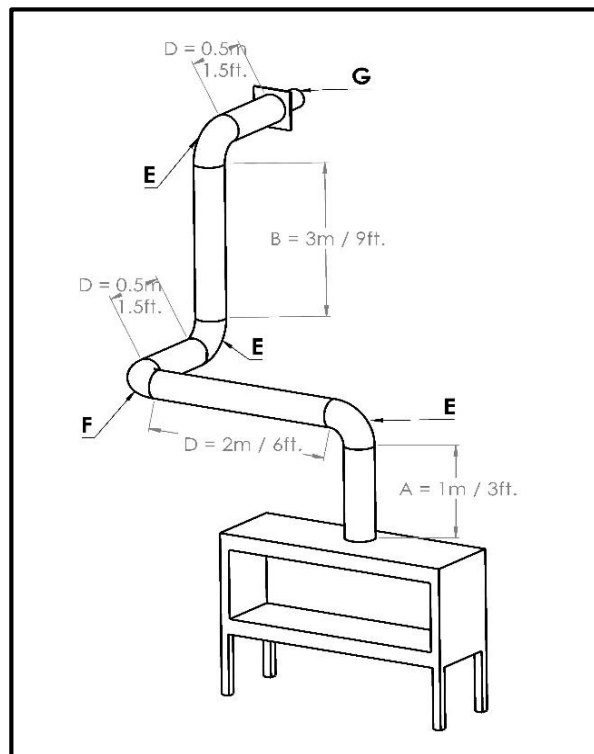
Y / X	X - Effective Horizontal Length												
	0	1 / 3'	2 / 6'	3 / 10'	4 / 13'	5 / 17'	6 / 20'	7 / 23'	8 / 26'	9 / 30'	10 / 33'	11 / 36'	12 / 39'
1 / 3'	3	2	1	1	1	1	1	1	1	1	x	x	x
2 / 6'	4	2	2	2	2	1	1	1	1	1	1	1	1
3 / 10'	4	2	2	2	1	1	1	1	1	1	1	1	1
4 / 13'	3	2	1	1	1	1	1	1	1	1	1	1	1
5 / 16'	2	1	1	1	1	1	1	1	1	1	1	1	1
6 / 19'	2	1	1	1	1	1	1	1	1	1	1	1	1
7 / 23'	2	1	1	1	1	1	1	1	1	1	1	1	1
8 / 26'	1	1	1	1	1	1	1	1	1	1	1	x	x
9 / 30'	1	1	1	1	1	1	1	1	1	1	x	x	x
10 / 33'	1	1	1	1	1	1	1	1	1	x	x	x	x
11 / 36'	1	1	1	1	1	1	1	1	x	x	x	x	x
12 / 39'	1	1	1	1	1	1	1	1	x	x	x	x	x
13 / 43'	1	1	1	1	1	1	1	1	x	x	x	x	x
14 / 46'	1	1	1	1	1	1	1	1	x	x	x	x	x
15 / 50'	1	1	1	1	1	1	1	1	x	x	x	x	x

FLARE 25H – CHIMNEY PATHS EXAMPLES

Parameters	Calculation
X - Effective Horizontal Length	6.5m / 19.5ft.
Y - Effective Vertical Length	7.6m / 23ft.
Restrictor Level By Table 1:	Level 1
Y Axis Parameters	
A – First Flue length (1 m / 3 ft. min)	1m / 3ft.
B – Vertical Flue length	5.5m / 16.5ft.
C – Roof Terminal = 0.5 m / 1.5 ft.	0.5m / 1.5ft.
H – Small Elbow (45°) = 0.3 m / 1 ft.	0.6m / 2ft.
X Axis Parameters	
D – Horizontal Flue length	4.5m / 13.5ft.
E – Elbow (90°) = 1 m / 3 ft.	2m / 6ft.
F – Elbow (lying 90°) = 2 m / 6 ft.	0
G – Wall Terminal = 1 m / 3 ft.	0



Parameters	Calculation
X - Effective Horizontal Length	9m / 27ft.
Y - Effective Vertical Length	4m / 12ft.
Restrictor Level By Table 1:	Level 1
Y Axis Parameters	
A – First Flue length (1 m / 3 ft. min)	1m / 3ft.
B – Vertical Flue length	3m / 9ft.
C – Roof Terminal = 0.5 m / 1.5 ft.	0
H – Small Elbow (45°) = 0.3 m / 1 ft.	0
X Axis Parameters	
D – Horizontal Flue length	3m / 9ft.
E – Elbow (90°) = 1 m / 3 ft.	3m / 9ft.
F – Elbow (lying 90°) = 2 m / 6 ft.	2m / 6ft.
G – Wall Terminal = 1 m / 3 ft.	1m / 3ft.



FLARE 30H

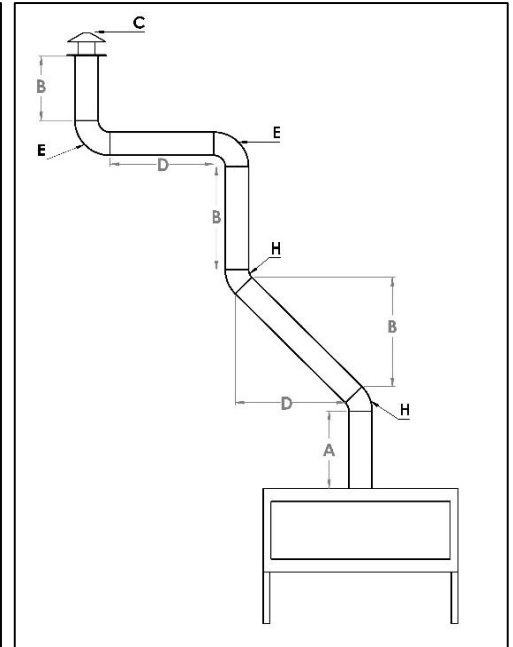
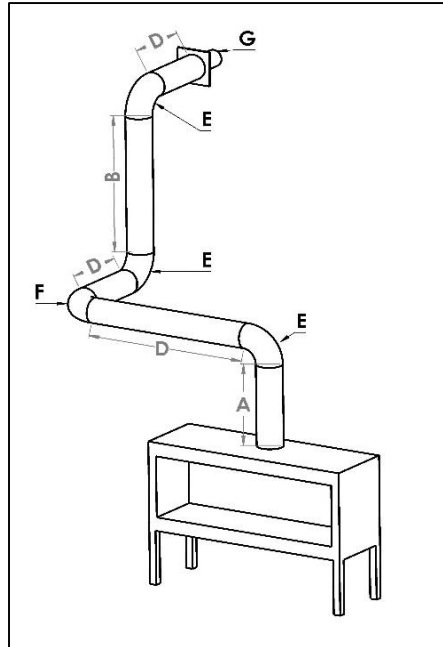
Suitable for all Flare 30 appliances: Flare Front 30, Flare See-Through 30, Flare Double Corner 30, Flare Left Corner 30, Flare Right Corner 30, Flare Room Definer 30.

Length	
X - Effective Horizontal Length	
Y - Effective Vertical Length	
Y Axis Parameters	
A	First Flue length (1 m / 3 ft. min)
B	Vertical Flue length
C	Roof Terminal = 0.5 m / 1.5 ft.
H	Small Elbow (45°) = 0.3 m / 1 ft.
X Axis Parameters	
D	Horizontal Flue length
E	Elbow (90°) = 1 m / 3 ft.
F	Elbow (lying 90°) = 2 m / 6 ft.
G	Wall Terminal = 1 m / 3 ft.

Adjust Restrictor level using Table 1:

1 - 6: adjust your restrictor level according to table.

X: Not Eligible chimney path! Plan a different chimney path.

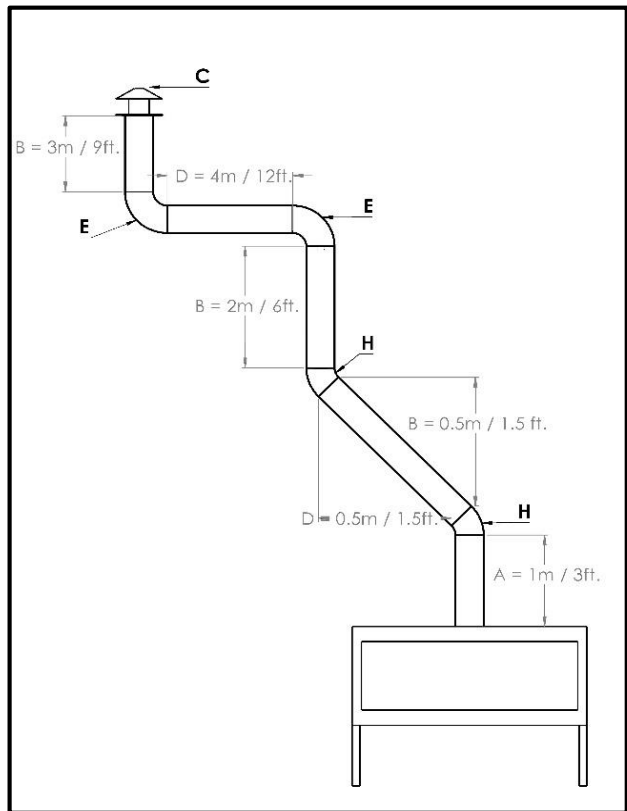


Restrictor level (Table 1):

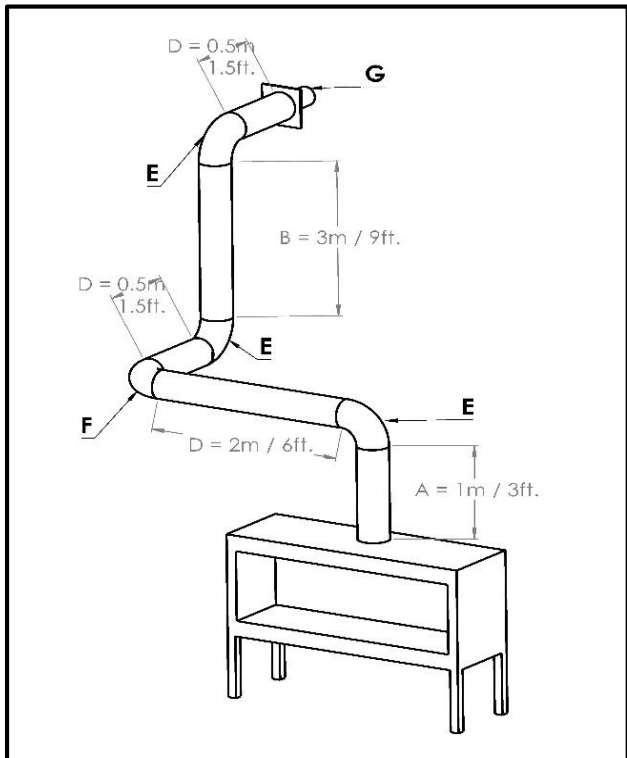
Y / X	X - Effective Horizontal Length													
	[m/feet]	0	1 / 3'	2 / 6'	3 / 10'	4 / 13'	5 / 17'	6 / 20'	7 / 23'	8 / 26'	9 / 30'	10 / 33'	11 / 36'	12 / 39'
- Effective Vertical Length	1 / 3'1"	3	2	1	1	1	1	1	1	1	x	x	x	x
	2 / 6'2"	3	2	2	1	1	1	1	1	1	1	1		
	3 / 9'10"	3	2	2	1	1	1	1	1	1	1	1	1	1
	4 / 13'	2	2	1	1	1	1	1	1	1	1	1	1	1
	5 / 16'5"	2	1	1	1	1	1	1	1	1	1	1	1	1
	6 / 19'8"	2	1	1	1	1	1	1	1	1	1	1	1	1
	7 / 23'	2	1	1	1	1	1	1	1	1	1	1	x	x
	8 / 26'	1	1	1	1	1	1	1	1	1	1	1	x	x
	9 / 30'	1	1	1	1	1	1	1	1	1	x	x	x	x
	10 / 33'	1	1	1	1	1	1	1	1	1	x	x	x	x
	11 / 36'	1	1	1	1	1	1	x	x	x	x	x	x	x
	12 / 39'	1	1	1	1	1	1	x	x	x	x	x	x	x
	13 / 43'	1	1	1	1	1	1	x	x	x	x	x	x	x
	14 / 46'	1	1	1	1	1	1	x	x	x	x	x	x	x
	15 / 50'	1	1	1	1	1	1	x	x	x	x	x	x	x

FLARE 30H – CHIMNEY PATHS EXAMPLES

Parameters	Calculation
X - Effective Horizontal Length	6.5m / 19.5ft.
Y - Effective Vertical Length	7.6m / 23ft.
Restrictor Level By Table 1:	Level 1
Y Axis Parameters	
A – First Flue length (1 m / 3 ft. min)	1m / 3ft.
B – Vertical Flue length	5.5m / 16.5ft.
C – Roof Terminal = 0.5 m / 1.5 ft.	0.5m / 1.5ft.
H – Small Elbow (45°) = 0.3 m / 1 ft.	0.6m / 2ft.
X Axis Parameters	
D – Horizontal Flue length	4.5m / 13.5ft.
E – Elbow (90°) = 1 m / 3 ft.	2m / 6ft.
F – Elbow (lying 90°) = 2 m / 6 ft.	0
G – Wall Terminal = 1 m / 3 ft.	0



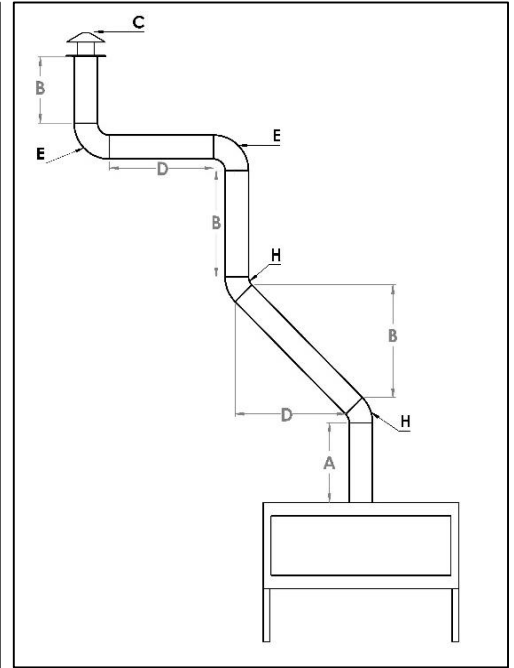
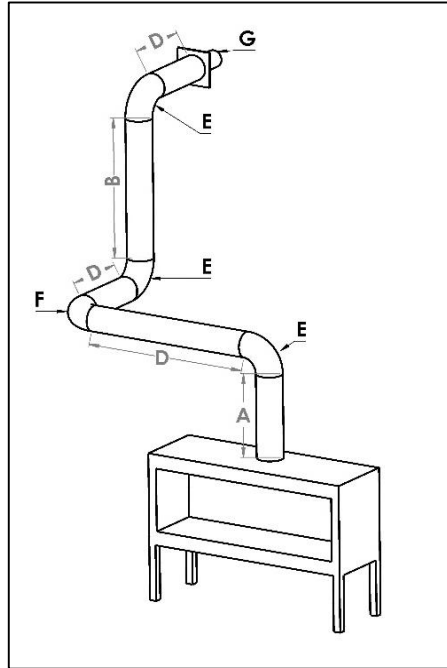
Parameters	Calculation
X - Effective Horizontal Length	9m / 27ft.
Y - Effective Vertical Length	4m / 12ft.
Restrictor Level By Table 1:	Level 1
Y Axis Parameters	
A – First Flue length (1 m / 3 ft. min)	1m / 3ft.
B – Vertical Flue length	3m / 9ft.
C – Roof Terminal = 0.5 m / 1.5 ft.	0
H – Small Elbow (45°) = 0.3 m / 1 ft.	0
X Axis Parameters	
D – Horizontal Flue length	3m / 9ft.
E – Elbow (90°) = 1 m / 3 ft.	3m / 9ft.
F – Elbow (lying 90°) = 2 m / 6 ft.	2m / 6ft.
G – Wall Terminal = 1 m / 3 ft.	1m / 3ft.



FLARE 45/45H

Suitable for all Flare 45/45H appliances: Flare Front 45/45H, Flare See-Through 45/45H, Flare Double Corner 45/45H, Flare Left Corner 45/45H, Flare Right Corner 45/45H, Flare Room Definer 45/45H.

Length	
X - Effective Horizontal Length	
Y - Effective Vertical Length	
Y Axis Parameters	
A	First Flue length (1 m / 3 ft. min)
B	Vertical Flue length
C	Roof Terminal = 0.5 m / 1.5 ft.
H	Small Elbow (45°) = 0.3 m / 1 ft.
X Axis Parameters	
D	Horizontal Flue length
E	Elbow (90°) = 1 m / 3 ft.
F	Elbow (lying 90°) = 2 m / 6 ft.
G	Wall Terminal = 1 m / 3 ft.



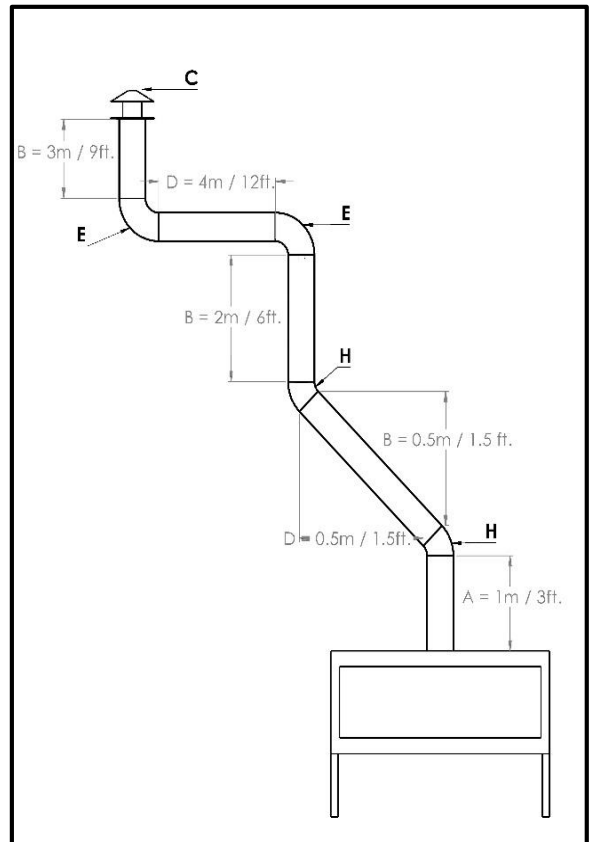
Adjust Restrictor level using Table 1:
 -6: adjust your restrictor level according to table. X:
 Not Eligible chimney path! Plan a different chimney path.

Restrictor level (Table 1):

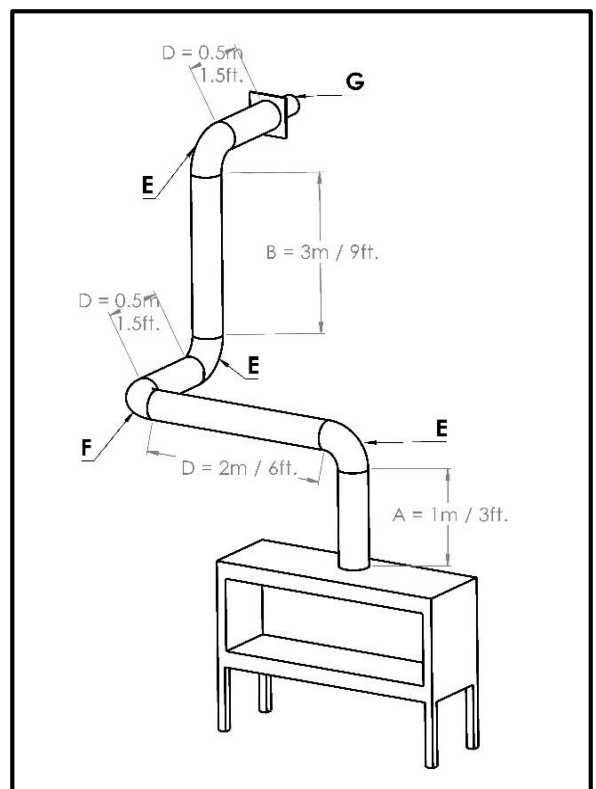
Y / X	X - Effective Horizontal Length													
	[m/feet]	0	1 / 3'	2 / 6'	3 / 10'	4 / 13'	5 / 17'	6 / 20'	7 / 23'	8 / 26'	9 / 30'	10 / 33'	11 / 36'	12 / 39'
1 / 3'1"	1	1	1	1	1	1	1	1	1	X	X	X	X	X
2 / 6'2"	3	2	2	1	1	1	1	1	1	X	X	X	X	X
3 / 9'10"	3	2	2	1	1	1	1	1	1	1	1	X	X	X
4 / 13'	2	2	2	1	1	1	1	1	1	1	1	1	1	X
5 / 16'5"	2	1	1	1	1	1	1	1	1	1	1	1	1	X
6 / 19'8"	2	1	1	1	1	1	1	1	1	1	1	1	X	X
7 / 23'	1	1	1	1	1	1	1	1	1	1	1	X	X	X
8 / 26'	1	1	1	1	1	1	1	1	1	1	X	X	X	X
9 / 30'	1	1	1	1	1	1	1	1	1	X	X	X	X	X
10 / 33'	1	1	1	1	1	1	1	1	1	X	X	X	X	X
11 / 36'	1	1	1	1	1	1	1	1	1	X	X	X	X	X
12 / 39'	1	1	1	1	1	1	1	1	X	X	X	X	X	X
13 / 43'	1	1	1	1	1	1	1	1	X	X	X	X	X	X
14 / 46'	1	1	1	1	1	1	1	X	X	X	X	X	X	X
15 / 50'	1	1	1	1	1	1	1	X	X	X	X	X	X	X

FLARE 45/45H- CHIMNEY PATHS EXAMPLES

Parameters	Calculation
X - Effective Horizontal Length	6.5m / 19.5ft.
Y - Effective Vertical Length	7.6m / 23ft.
Restrictor Level By Table 1:	Level 1
Y Axis Parameters	
A – First Flue length (1 m / 3 ft. min)	1m / 3ft.
B – Vertical Flue length	5.5m / 16.5ft.
C – Roof Terminal = 0.5 m / 1.5 ft.	0.5m / 1.5ft.
H – Small Elbow (45°) = 0.3 m / 1 ft.	0.6m / 2ft.
X Axis Parameters	
D – Horizontal Flue length	4.5m / 13.5ft.
E – Elbow (90°) = 1 m / 3 ft.	2m / 6ft.
F – Elbow (lying 90°) = 2 m / 6 ft.	0
G – Wall Terminal = 1 m / 3 ft.	0



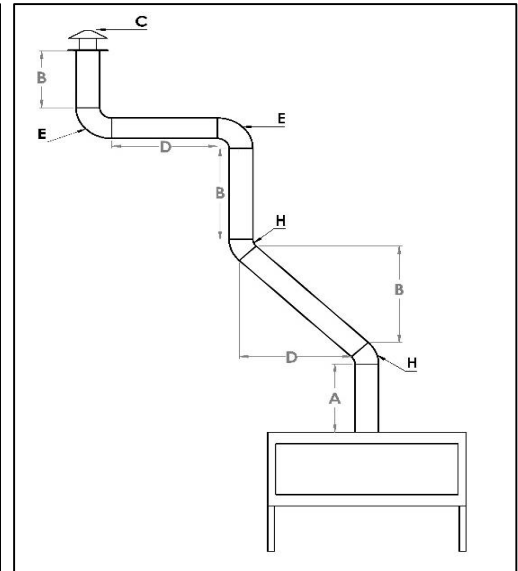
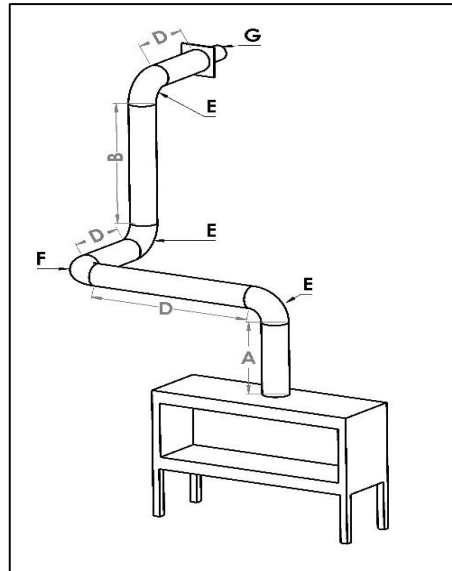
Parameters	Calculation
X - Effective Horizontal Length	9m / 27ft.
Y - Effective Vertical Length	4m / 12ft.
Restrictor Level By Table 1:	Level 1
Y Axis Parameters	
A – First Flue length (1 m / 3 ft. min)	1m / 3ft.
B – Vertical Flue length	3m / 9ft.
C – Roof Terminal = 0.5 m / 1.5 ft.	0
H – Small Elbow (45°) = 0.3 m / 1 ft.	0
X Axis Parameters	
D – Horizontal Flue length	3m / 9ft.
E – Elbow (90°) = 1 m / 3 ft.	3m / 9ft.
F – Elbow (lying 90°) = 2 m / 6 ft.	2m / 6ft.
G – Wall Terminal = 1 m / 3 ft.	1m / 3ft.



FLARE 50/50H

Suitable for all Flare 50/50H appliances: Flare Front 50/50H, Flare See-Through 50/50H, Flare Double Corner 50/50H, Flare Left Corner 50/50H, Flare Right Corner 50/50H, Flare Room Definer 50/50H.

Length	
X - Effective Horizontal Length	
Y - Effective Vertical Length	
Y Axis Parameters	
A	First Flue length (1 m / 2 ft. min)
B	Vertical Flue length
C	Roof Terminal = 0.5 m / 1.5 ft.
H	Small Elbow (45°) = 0.3 m / 1 ft.
X Axis Parameters	
D	Horizontal Flue length
E	Elbow (90°) = 1 m / 3 ft.
F	Elbow (lying 90°) = 2 m / 6 ft.
G	Wall Terminal = 1 m / 3 ft.



Adjust Restrictor level using Table 1: 1

Minimum 2 ft vertical run (A) required before any bend or turn. Please account for the elbow and termination cap as detailed in the table. Example: 2 vertical, elbow & cap: 10ft – cap – elbow = 6 ft max horizontal run.

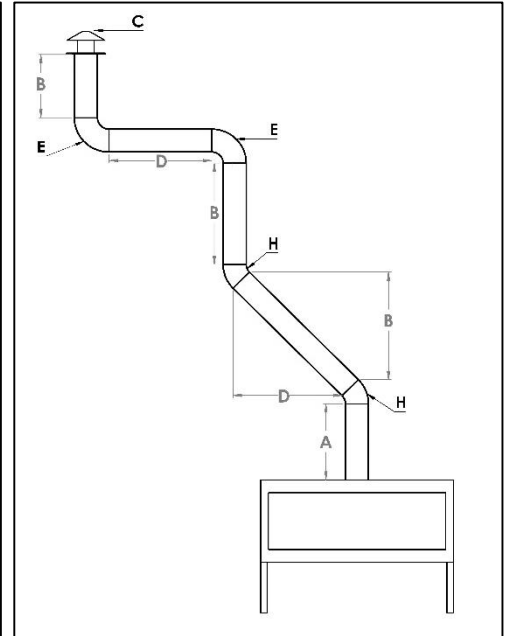
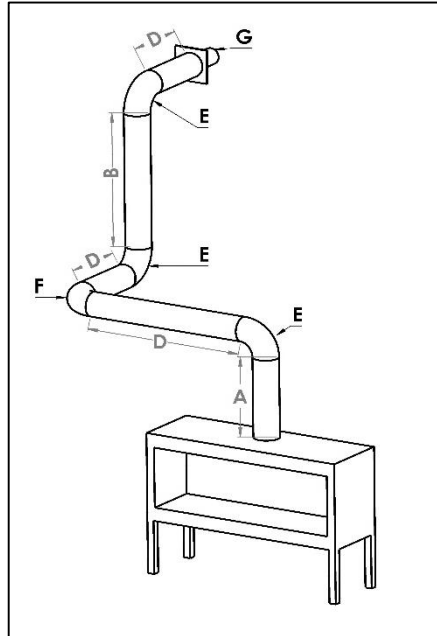
Restrictor level (Table 1):

Y / X	X - Effective Horizontal Length													
	[m/feet]	0	1 / 3'	2 / 6'	3 / 10'	4 / 13'	5 / 17'	6 / 20'	7 / 23'	8 / 26'	9 / 30'	10 / 33'	11 / 36'	12 / 39'
Y - Effective Vertical Length	0.5/2'	1	1	1	1	x	x	x	x	x	x	x	x	x
	1 / 3'1"	2	2	2	2	1	1	1	1	1	1	1	1	x
	2 / 6'2"	3	3	2	2	2	2	1	1	1	1	1	1	1
	3 / 9'10"	3	3	2	2	2	2	1	1	1	1	1	1	1
	4 / 13'	3	3	2	2	2	1	1	1	1	1	1	1	1
	5 / 16'5"	3	3	2	2	2	1	1	1	1	1	1	1	1
	6 / 19'8"	2	2	2	2	2	1	1	1	1	1	1	1	1
	7 / 23'	2	2	2	2	1	1	1	1	1	1	1	1	1
	8 / 26'	2	2	2	2	1	1	1	1	1	1	1	1	1
	9 / 30'	2	2	2	1	1	1	1	1	1	1	1	1	1
	10 / 33'	1	1	1	1	1	1	1	1	1	1	x	x	x
	11 / 36'	1	1	1	1	1	1	1	1	1	1	x	x	x
	12 / 39'	1	1	1	1	1	1	1	1	1	1	x	x	x
	13 / 43'	1	1	1	1	1	1	1	1	1	x	x	x	x
	14 / 46'	1	1	1	1	1	1	1	1	1	x	x	x	x
15 / 50'	1	1	1	1	1	1	1	1	1	x	x	x	x	

FLARE 60/60H

Suitable for all Flare 60/60H appliances: Flare Front 60/60H, Flare See-Through 60/60H, Flare Double Corner 60/60H, Flare Left Corner 60/60H, Flare Right Corner 60/60H, Flare Room Definer 60/60H.

Length	
X - Effective Horizontal Length	
Y - Effective Vertical Length	
Y Axis Parameters	
A	First Flue length (1 m / 2 ft. min)
B	Vertical Flue length
C	Roof Terminal = 0.5 m / 1.5 ft.
H	Small Elbow (45°) = 0.3 m / 1 ft.
X Axis Parameters	
D	Horizontal Flue length
E	Elbow (90°) = 1 m / 3 ft.
F	Elbow (lying 90°) = 2 m / 6 ft.
G	Wall Terminal = 1 m / 3 ft.



Adjust Restrictor level using Table 1:

1 – 6: adjust your restrictor level according to table.

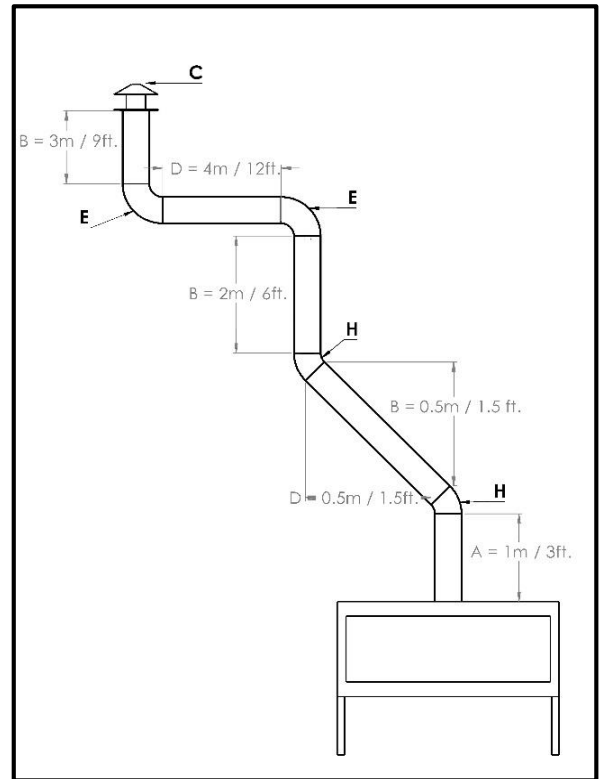
X: Not Eligible chimney path! Plan a different chimney path.

Restrictor level (Table 1):

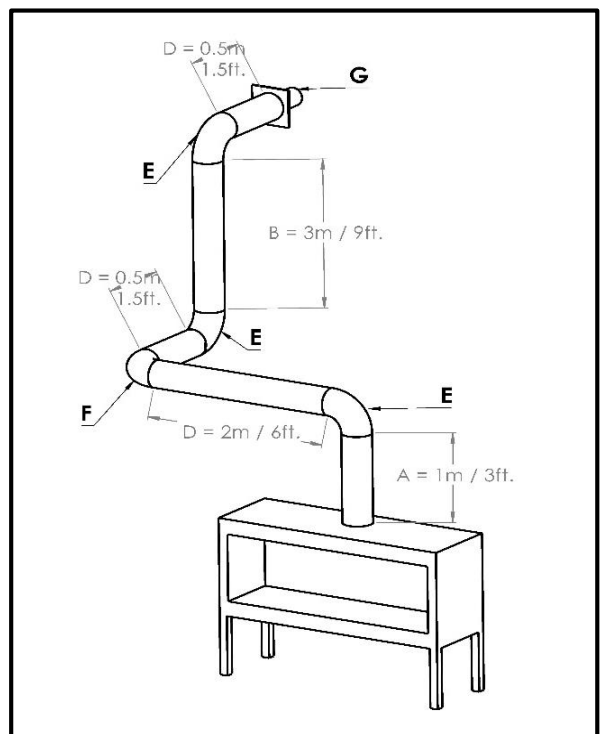
Y / X	X - Effective Horizontal Length													
	[m/feet]	0	1 / 3'	2 / 6'	3 / 10'	4 / 13'	5 / 17'	6 / 20'	7 / 23'	8 / 26'	9 / 30'	10 / 33'	11 / 36'	12 / 39'
Y - Effective Vertical Length	0.6 / 2'	1	1	1	x	x	x	x	x	x	x	x	x	x
	1 / 3'1"	2	2	1	1	1	1	1	1	1	1	1	x	x
	2 / 6'2"	3	3	2	1	1	1	1	1	1	1	1	1	1
	3 / 9'10"	2	2	2	1	1	1	1	1	1	1	1	1	1
	4 / 13'	2	2	2	2	1	1	1	1	1	1	1	1	1
	5 / 16'5"	2	2	2	1	1	1	1	1	1	1	1	1	1
	6 / 19'8"	2	2	1	1	1	1	1	1	1	1	1	1	1
	7 / 23'	2	2	1	1	1	1	1	1	1	1	1	1	1
	8 / 26'	1	1	1	1	1	1	1	1	1	1	1	1	1
	9 / 30'	1	1	1	1	1	1	1	1	1	1	1	1	1
	10 / 33'	1	1	1	1	1	1	1	1	1	1	x	x	x
	11 / 36'	1	1	1	1	1	1	1	1	1	1	x	x	x
	12 / 39'	1	1	1	1	1	1	1	1	1	1	x	x	x
	13 / 43'	1	1	1	1	1	1	1	1	1	x	x	x	x
	14 / 46'	1	1	1	1	1	1	1	1	1	x	x	x	x
15 / 50'	1	1	1	1	1	1	1	1	1	x	x	x	x	

FLARE 60/60H- CHIMNEY PATHS EXAMPLES

Parameters	Calculation
X - Effective Horizontal Length	6.5m / 19.5ft.
Y - Effective Vertical Length	7.6m / 23ft.
Restrictor Level By Table 1:	Level 1
Y Axis Parameters	
A – First Flue length (1 m / 3 ft. min)	1m / 3ft.
B – Vertical Flue length	5.5m / 16.5ft.
C – Roof Terminal = 0.5 m / 1.5 ft.	0.5m / 1.5ft.
H – Small Elbow (45°) = 0.3 m / 1 ft.	0.6m / 2ft.
X Axis Parameters	
D – Horizontal Flue length	4.5m / 13.5ft.
E – Elbow (90°) = 1 m / 3 ft.	2m / 6ft.
F – Elbow (lying 90°) = 2 m / 6 ft.	0
G – Wall Terminal = 1 m / 3 ft.	0



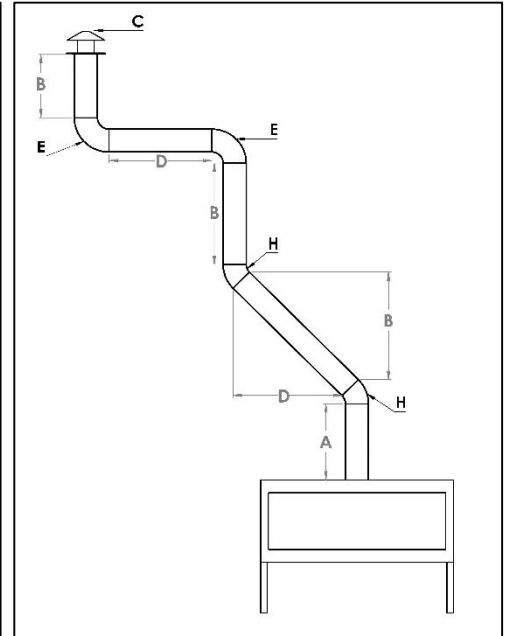
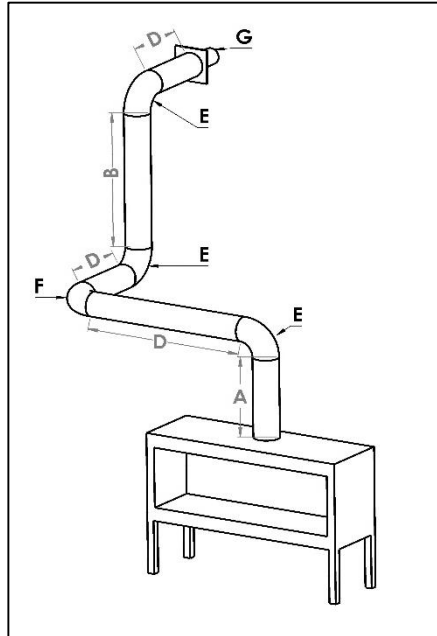
Parameters	Calculation
X - Effective Horizontal Length	9m / 27ft.
Y - Effective Vertical Length	4m / 12ft.
Restrictor Level By Table 1:	Level 1
Y Axis Parameters	
A – First Flue length (1 m / 3 ft. min)	1m / 3ft.
B – Vertical Flue length	3m / 9ft.
C – Roof Terminal = 0.5 m / 1.5 ft.	0
H – Small Elbow (45°) = 0.3 m / 1 ft.	0
X Axis Parameters	
D – Horizontal Flue length	3m / 9ft.
E – Elbow (90°) = 1 m / 3 ft.	3m / 9ft.
F – Elbow (lying 90°) = 2 m / 6 ft.	2m / 6ft.
G – Wall Terminal = 1 m / 3 ft.	1m / 3ft.



FLARE 70/70H

Suitable for all Flare 70/70H appliances: Flare Front 70/70H, Flare See-Through 70/70H, Flare Double Corner 70/70H, Flare Left Corner 70/70H, Flare Right Corner 70/70H, Flare Room Definer 70/70H.

Length
X - Effective Horizontal Length
Y - Effective Vertical Length
Y Axis Parameters
A – First Flue length (1 m / 2 ft. min)
B – Vertical Flue length
C – Roof Terminal = 0.5 m / 1.5 ft.
H – Small Elbow (45°) = 0.3 m / 1 ft.
X Axis Parameters
D – Horizontal Flue length
E – Elbow (90°) = 1 m / 2 ft.
F – Elbow (lying 90°) = 2 m / 6 ft.
G – Wall Terminal = 1 m / 3 ft.



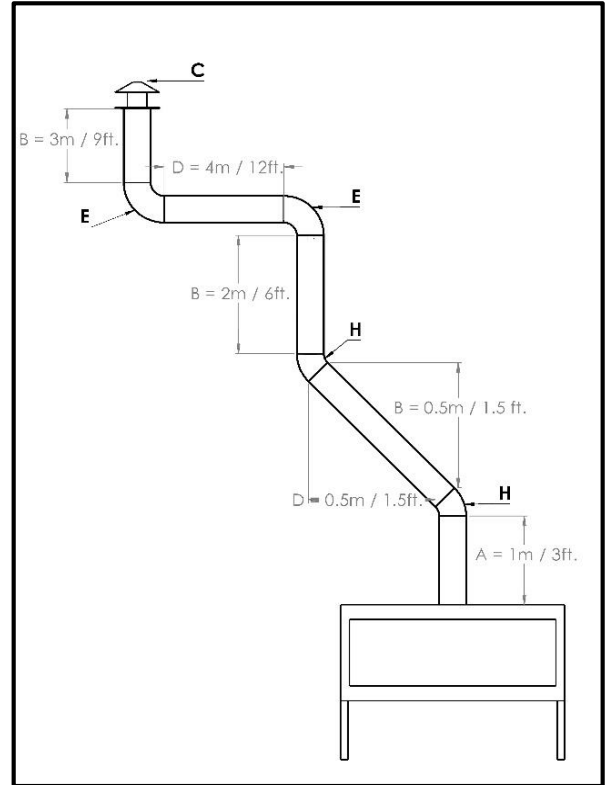
Adjust Restrictor level using Table 1: 1
 – 6: adjust your restrictor level according to table. X:
 Not Eligible chimney path! Plan a different chimney path.

Restrictor level (Table 1):

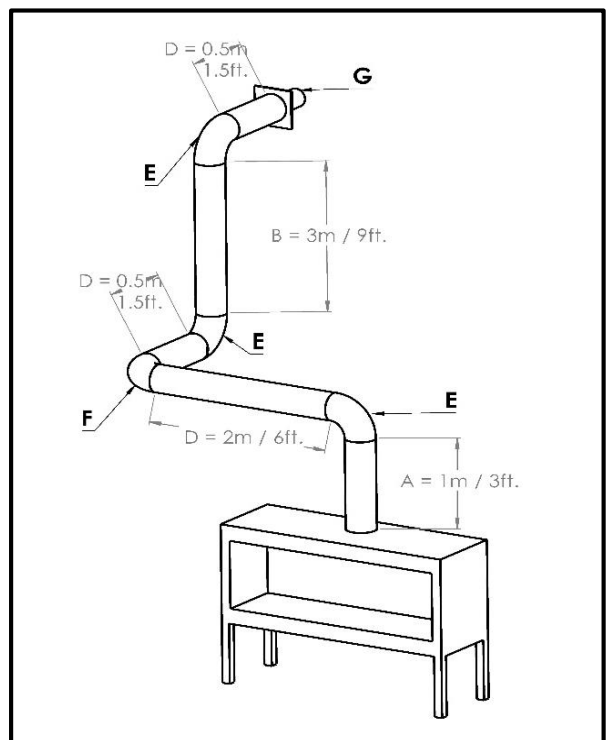
Y / X	X - Effective Horizontal Length													
	[m/feet]	0	1 / 3'	2 / 6'	3 / 10'	4 / 13'	5 / 17'	6 / 20'	7 / 23'	8 / 26'	9 / 30'	10 / 33'	11 / 36'	12 / 39'
Y - Effective Vertical Length	1 / 3'1"	1	1	1	1	1	1	1	1	1	x	x	x	x
	2 / 6'2"	2	2	1	1	1	1	1	1	1	1	x	x	x
	3 / 9'10"	3	2	1	1	1	1	1	1	1	1	1	1	x
	4 / 13'	3	2	1	1	1	1	1	1	1	1	1	1	x
	5 / 16'5"	2	2	1	1	1	1	1	1	1	1	1	1	1
	6 / 19'8"	2	2	1	1	1	1	1	1	1	1	1	1	x
	7 / 23'	2	1	1	1	1	1	1	1	1	1	1	x	x
	8 / 26'	1	1	1	1	1	1	1	1	1	1	x	x	x
	9 / 30'	1	1	1	1	1	1	1	1	1	x	x	x	x
	10 / 33'	1	1	1	1	1	1	1	1	x	x	x	x	x
	11 / 36'	1	1	1	1	1	1	1	1	x	x	x	x	x
	12 / 39'	1	1	1	1	1	1	1	x	x	x	x	x	x
	13 / 43'	1	1	1	1	1	1	1	x	x	x	x	x	x
	14 / 46'	1	1	1	1	1	1	1	x	x	x	x	x	x
	15 / 50'	1	1	1	1	1	1	1	x	x	x	x	x	x

FLARE 70/70H – CHIMNEY PATHS EXAMPLES

Parameters	Calculation
X - Effective Horizontal Length	6.5m / 19.5ft.
Y - Effective Vertical Length	7.6m / 23ft.
Restrictor Level By Table 1:	Level 1
Y Axis Parameters	
A – First Flue length (1 m / 3 ft. min)	1m / 3ft.
B – Vertical Flue length	5.5m / 16.5ft.
C – Roof Terminal = 0.5 m / 1.5 ft.	0.5m / 1.5ft.
H – Small Elbow (45°) = 0.3 m / 1 ft.	0.6m / 2ft.
X Axis Parameters	
D – Horizontal Flue length	4.5m / 13.5ft.
E – Elbow (90°) = 1 m / 3 ft.	2m / 6ft.
F – Elbow (lying 90°) = 2 m / 6 ft.	0
G – Wall Terminal = 1 m / 3 ft.	0



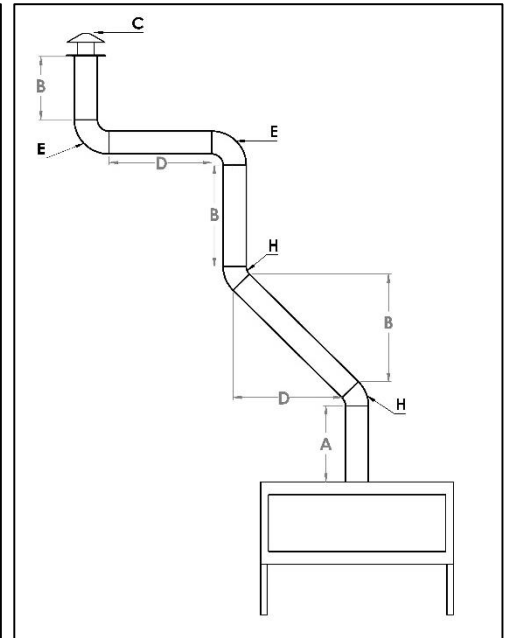
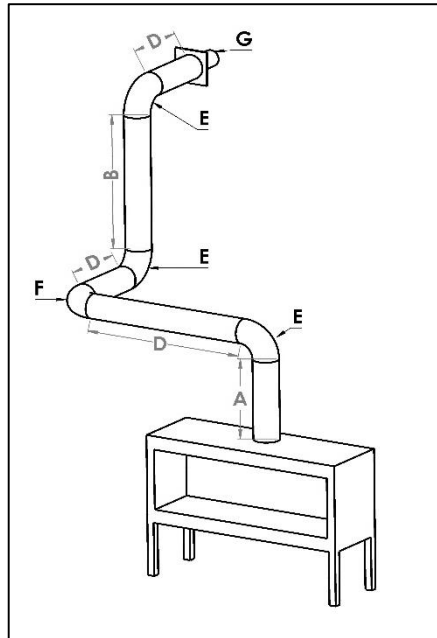
Parameters	Calculation
X - Effective Horizontal Length	9m / 27ft.
Y - Effective Vertical Length	4m / 12ft.
Restrictor Level By Table 1:	Level 1
Y Axis Parameters	
A – First Flue length (1 m / 3 ft. min)	1m / 3ft.
B – Vertical Flue length	3m / 9ft.
C – Roof Terminal = 0.5 m / 1.5 ft.	0
H – Small Elbow (45°) = 0.3 m / 1 ft.	0
X Axis Parameters	
D – Horizontal Flue length	3m / 9ft.
E – Elbow (90°) = 1 m / 3 ft.	3m / 9ft.
F – Elbow (lying 90°) = 2 m / 6 ft.	2m / 6ft.
G – Wall Terminal = 1 m / 3 ft.	1m / 3ft.



FLARE 80/80H

Suitable for all Flare 80/80H appliances: Flare Front 80/80H, Flare See-Through 80/80H, Flare Double Corner 80/80H, Flare Left Corner 80/80H, Flare Right Corner 80/80H, Flare Room Definer 80/80H.

Length
X - Effective Horizontal Length
Y - Effective Vertical Length
Y Axis Parameters
A – First Flue length (1 m / 3 ft. min)
B – Vertical Flue length
C – Roof Terminal = 0.5 m / 1.5 ft.
H – Small Elbow (45°) = 0.3 m / 1 ft.
X Axis Parameters
D – Horizontal Flue length
E – Elbow (90°) = 1 m / 3 ft.
F – Elbow (lying 90°) = 2 m / 6 ft.
G – Wall Terminal = 1 m / 3 ft.



Adjust Restrictor level using Table 1:

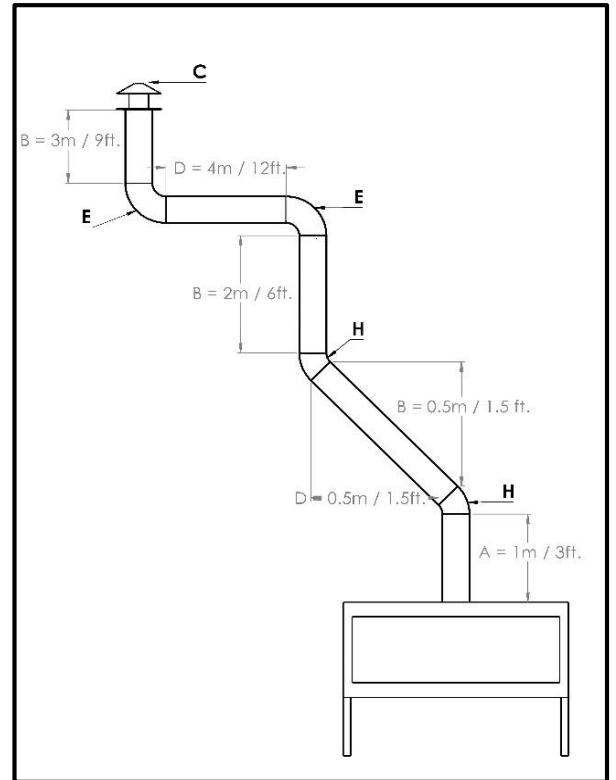
1 – 6: adjust your restrictor level according to table.
 X: Not Eligible chimney path! Plan a different chimney path.

Restrictor level (Table 1):

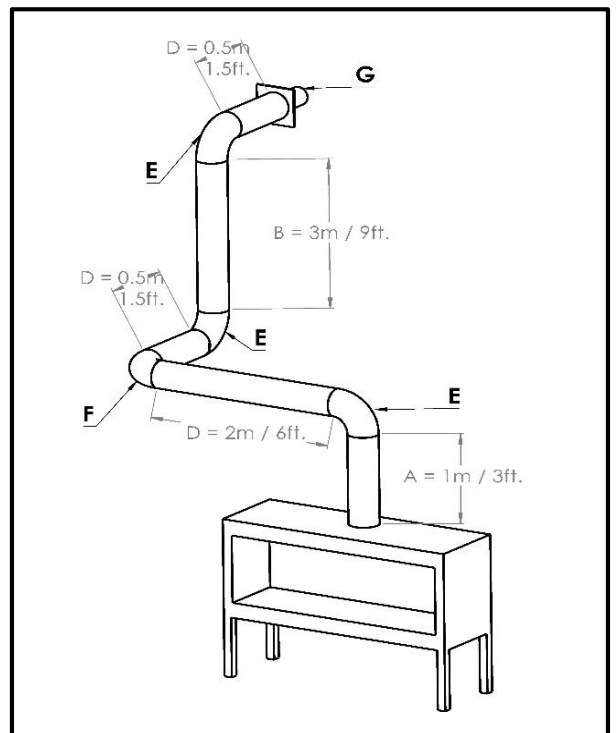
Y / X	X - Effective Horizontal Length													
	[m/feet]	0	1 / 3'	2 / 6'	3 / 10'	4 / 13'	5 / 17'	6 / 20'	7 / 23'	8 / 26'	9 / 30'	10 / 33'	11 / 36'	12 / 39'
Y - Effective Vertical Length	1 / 3'1"	1	1	X	X	X	X	X	X	X	X	X	X	X
	2 / 6'2"	2	1	1	1	1	1	X	X	X	X	X	X	X
	3 / 9'10"	2	2	1	1	1	1	1	1	X	X	X	X	X
	4 / 13'	2	2	1	1	1	1	1	1	1	X	X	X	X
	5 / 16'5"	2	1	1	1	1	1	1	1	1	X	X	X	X
	6 / 19'8"	2	1	1	1	1	1	1	1	1	X	X	X	X
	7 / 23'	1	1	1	1	1	1	1	1	1	1	X	X	X
	8 / 26'	1	1	1	1	1	1	1	1	1	1	1	X	X
	9 / 30'	1	1	1	1	1	1	1	1	1	1	1	X	X
	10 / 33'	1	1	1	1	1	1	1	1	1	X	X	X	X
	11 / 36'	1	1	1	1	1	1	1	1	X	X	X	X	X
	12 / 39'	1	1	1	1	1	1	1	X	X	X	X	X	X
	13 / 43'	1	1	1	1	1	1	1	X	X	X	X	X	X
	14 / 46'	1	1	1	1	1	1	X	X	X	X	X	X	X
	15 / 50'	1	1	1	1	1	1	X	X	X	X	X	X	X

FLARE 80/80H – CHIMNEY PATHS EXAMPLES

Parameters	Calculation
X - Effective Horizontal Length	6.5m / 19.5ft.
Y - Effective Vertical Length	7.6m / 23ft.
Restrictor Level By Table 1:	Level 1
Y Axis Parameters	
A – First Flue length (1 m / 3 ft. min)	1m / 3ft.
B – Vertical Flue length	5.5m / 16.5ft.
C – Roof Terminal = 0.5 m / 1.5 ft.	0.5m / 1.5ft.
H – Small Elbow (45°) = 0.3 m / 1 ft.	0.6m / 2ft.
X Axis Parameters	
D – Horizontal Flue length	4.5m / 13.5ft.
E – Elbow (90°) = 1 m / 3 ft.	2m / 6ft.
F – Elbow (lying 90°) = 2 m / 6 ft.	0
G – Wall Terminal = 1 m / 3 ft.	0



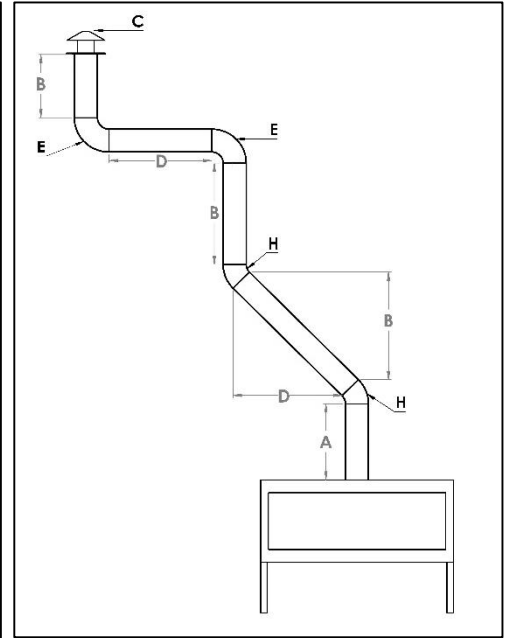
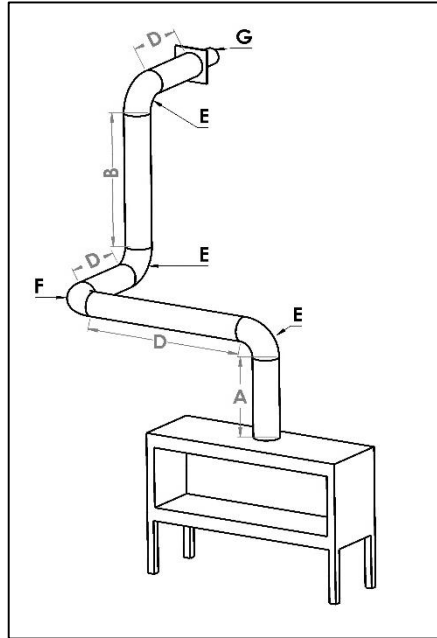
Parameters	Calculation
X - Effective Horizontal Length	9m / 27ft.
Y - Effective Vertical Length	4m / 12ft.
Restrictor Level By Table 1:	Not Eligible
Y Axis Parameters	
A – First Flue length (1 m / 3 ft. min)	1m / 3ft.
B – Vertical Flue length	3m / 9ft.
C – Roof Terminal = 0.5 m / 1.5 ft.	0
H – Small Elbow (45°) = 0.3 m / 1 ft.	0
X Axis Parameters	
D – Horizontal Flue length	3m / 9ft.
E – Elbow (90°) = 1 m / 3 ft.	3m / 9ft.
F – Elbow (lying 90°) = 2 m / 6 ft.	2m / 6ft.
G – Wall Terminal = 1 m / 3 ft.	1m / 3ft.



FLARE 100/100H

Suitable for all Flare 100/100H appliances: Flare Front 100/100H, Flare See-Through 100/100H, Flare Double Corner 100/100H, Flare Left Corner 100/100H, Flare Right Corner 100/100H, Flare Room Definer 100/100H.

Length
X - Effective Horizontal Length
Y - Effective Vertical Length
Y Axis Parameters
A – First Flue length (1 m / 3 ft. min)
B – Vertical Flue length
C – Roof Terminal = 0.5 m / 1.5 ft.
H – Small Elbow (45°) = 0.3 m / 1 ft.
X Axis Parameters
D – Horizontal Flue length
E – Elbow (90°) = 1 m / 3 ft.
F – Elbow (lying 90°) = 2 m / 6 ft.
G – Wall Terminal = 1 m / 3 ft.



Adjust Restrictor level using Table 1:

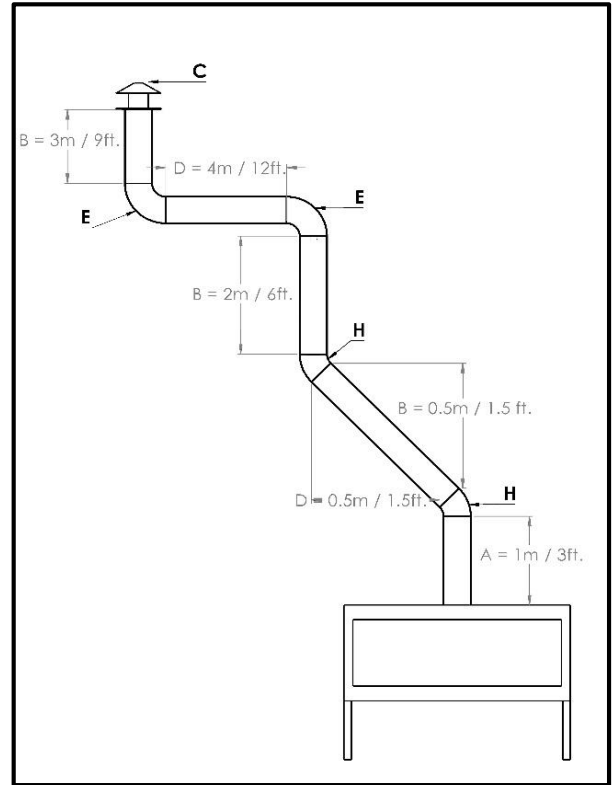
1 – 6: adjust your restrictor level according to table.
 X: Not Eligible chimney path! Plan a different chimney path.

Restrictor level (Table 1):

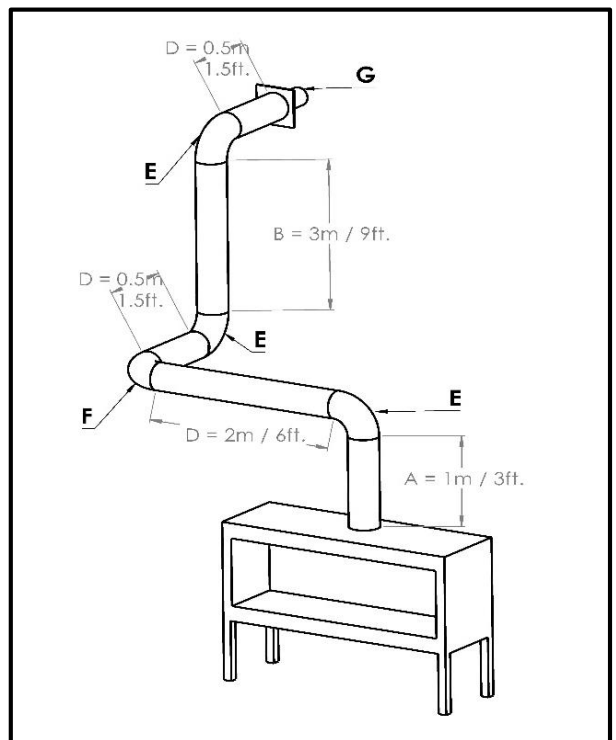
Y / X	X - Effective Horizontal Length													
	[m/feet]	0	1 / 3'	2 / 6'	3 / 10'	4 / 13'	5 / 17'	6 / 20'	7 / 23'	8 / 26'	9 / 30'	10 / 33'	11 / 36'	12 / 39'
Y - Effective Vertical Length	1 / 3'1"	1	1	x	x	x	x	x	x	x	x	x	x	x
	2 / 6'2"	2	1	1	1	1	1	x	x	x	x	x	x	x
	3 / 9'10"	2	2	1	1	1	1	1	1	x	x	x	x	x
	4 / 13'	2	2	1	1	1	1	1	1	1	x	x	x	x
	5 / 16'5"	2	1	1	1	1	1	1	1	1	x	x	x	x
	6 / 19'8"	2	1	1	1	1	1	1	1	1	x	x	x	x
	7 / 23'	1	1	1	1	1	1	1	1	1	1	x	x	x
	8 / 26'	1	1	1	1	1	1	1	1	1	1	1	x	x
	9 / 30'	1	1	1	1	1	1	1	1	1	1	1	x	x
	10 / 33'	1	1	1	1	1	1	1	1	1	1	x	x	x
	11 / 36'	1	1	1	1	1	1	1	1	1	x	x	x	x
	12 / 39'	1	1	1	1	1	1	1	1	1	x	x	x	x
	13 / 43'	1	1	1	1	1	1	1	x	x	x	x	x	x
	14 / 46'	1	1	1	1	1	1	x	x	x	x	x	x	x
	15 / 50'	1	1	1	1	1	1	x	x	x	x	x	x	x

FLARE 100/100H – CHIMNEY PATHS EXAMPLES

Parameters	Calculation
X - Effective Horizontal Length	6.5m / 19.5ft.
Y - Effective Vertical Length	7.6m / 23ft.
Restrictor Level By Table 1:	Level 1
Y Axis Parameters	
A – First Flue length (1 m / 3 ft. min)	1m / 3ft.
B – Vertical Flue length	5.5m / 16.5ft.
C – Roof Terminal = 0.5 m / 1.5 ft.	0.5m / 1.5ft.
H – Small Elbow (45°) = 0.3 m / 1 ft.	0.6m / 2ft.
X Axis Parameters	
D – Horizontal Flue length	4.5m / 13.5ft.
E – Elbow (90°) = 1 m / 3 ft.	2m / 6ft.
F – Elbow (lying 90°) = 2 m / 6 ft.	0
G – Wall Terminal = 1 m / 3 ft.	0



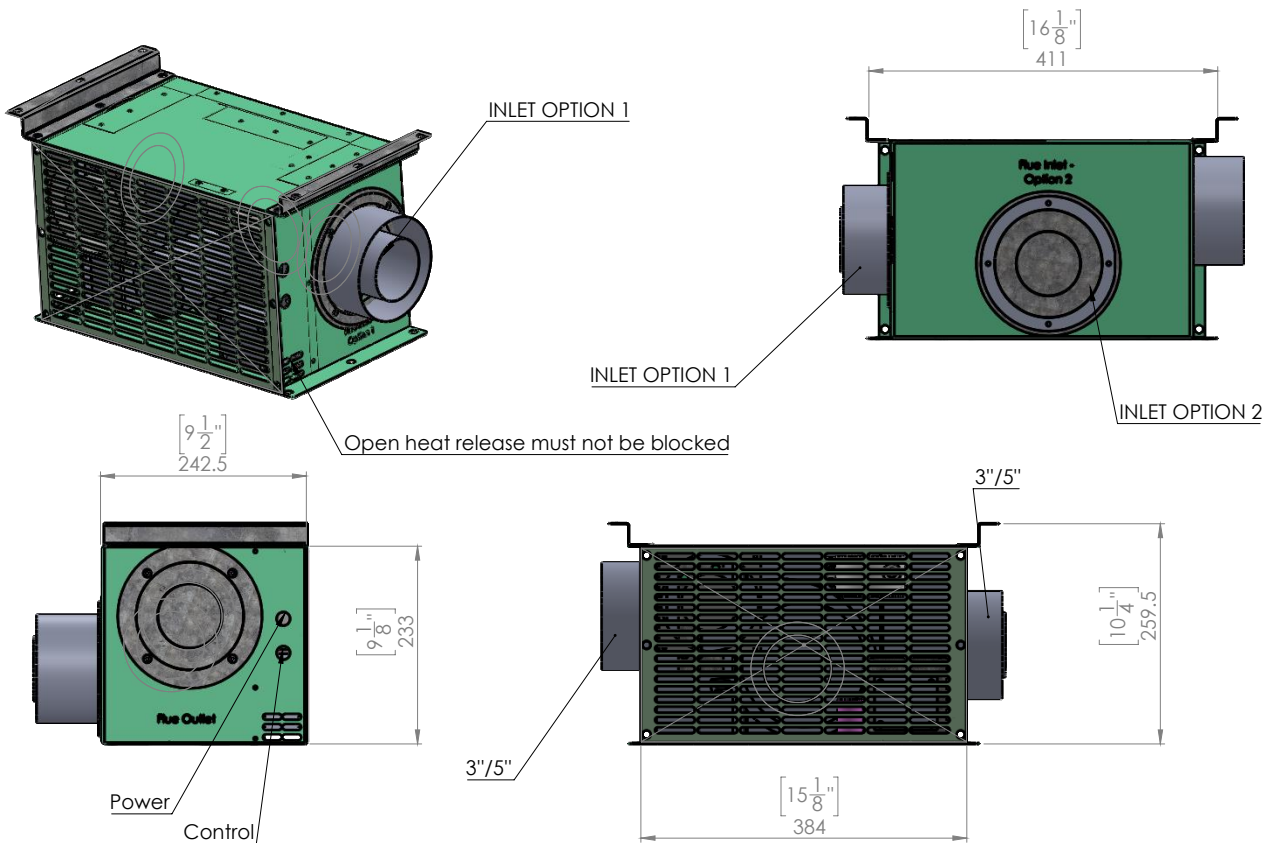
Parameters	Calculation
X - Effective Horizontal Length	9m / 27ft.
Y - Effective Vertical Length	4m / 12ft.
Restrictor Level By Table 1:	Not Eligible
Y Axis Parameters	
A – First Flue length (1 m / 3 ft. min)	1m / 3ft.
B – Vertical Flue length	3m / 9ft.
C – Roof Terminal = 0.5 m / 1.5 ft.	0
H – Small Elbow (45°) = 0.3 m / 1 ft.	0
X Axis Parameters	
D – Horizontal Flue length	3m / 9ft.
E – Elbow (90°) = 1 m / 3 ft.	3m / 9ft.
F – Elbow (lying 90°) = 2 m / 6 ft.	2m / 6ft.
G – Wall Terminal = 1 m / 3 ft.	1m / 3ft.



POWER VENTING

For unsupported vent routes (based on the gravity vent tables above) a power venting solution is required. The power venting solutions allow Flare Fireplaces to operate in vent conditions that would not be possible without the motor unit. See the [Flare Power Vent Installation Manual](#) for more specific instructions.

The system is designed and tested with DuraVent 3x5 gasket direct vent pipes. It is critical for the safety and operation of the system to use the DuraVent 3x5 gasket system.



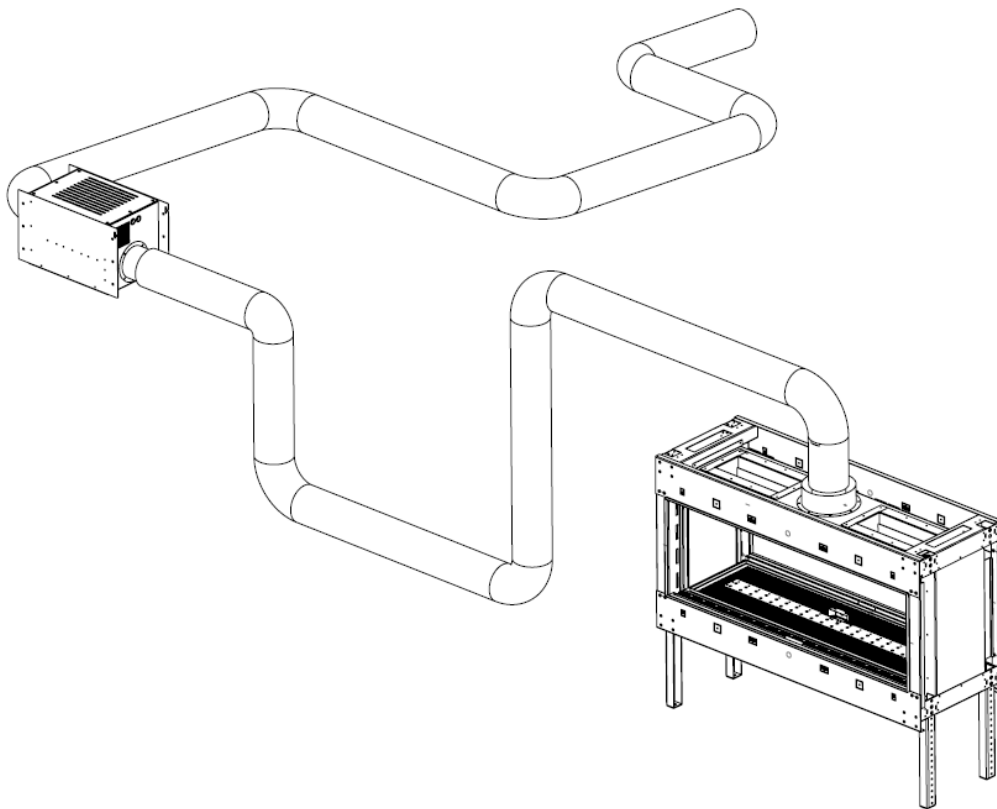
To calculate the vent runs, use the following tables and instructions. Please note that power vent runs are model (burner) specific. Use the tables below to calculate the restrictor setting.

Instructions:

When using the power vent system, direction of flow through the vents can be up, down, horizontal or diagonal since the system is sealed and vacuumed. The vent restrictor level should be set based on length in feet, number of elbows and the vent termination.

NOTE: A minimum of **12 feet of venting** is required between the fireplace and the in-line power vent. Do not use the power vent if the vent routing is less than 12 feet. Refer to the [Flare Power Vent Installation Manual](#) for more specific instructions.

Clearance - Clearances between the vent pipe and combustible materials must be maintained at 3" inches top and 1" for side and below. Maintain the same clearance from the power vent box to any combustible materials.

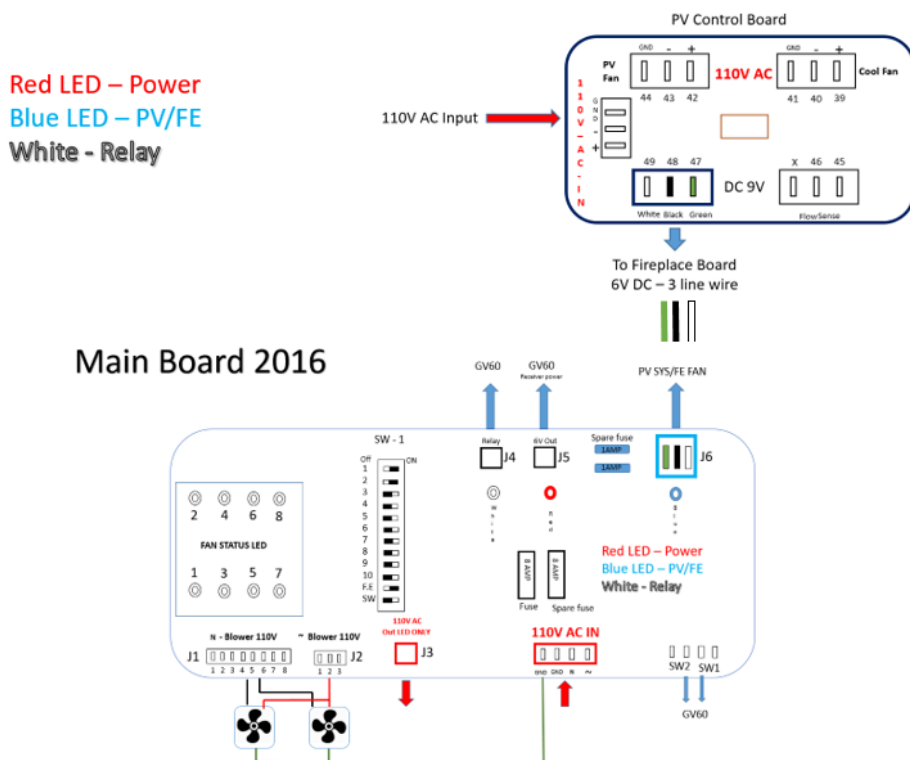
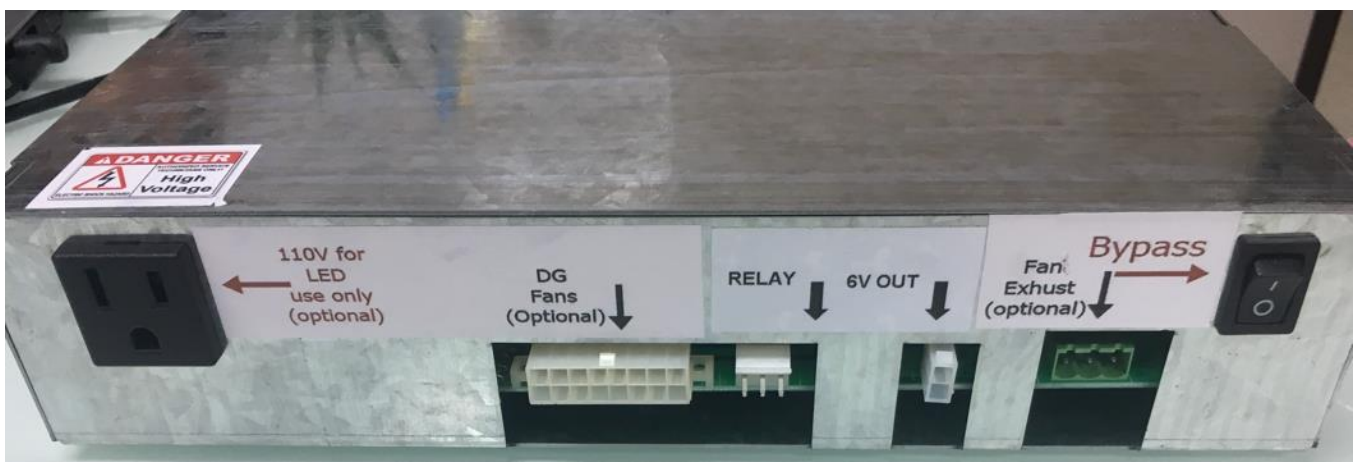


Power vent unit must be installed by a qualified installer in accordance with these instructions.

CAUTION! Failure to install, operate, and maintain the power venting system in accordance with manufacturer's instructions will result in conditions which may produce bodily injury and/or property damage.

Electrical connection to the PV system

- The PV system will need to be connected to an AC 110V 15A power outlet.
- The PV system is connected to the Fireplace control system with a **low voltage (6V) 3 wire cable** - labeled below as connection “Fan Exhaust Optional”.
 - Cable to be used is 16 AWG-3 copper wire (**not solid wire**). Cable is not included with the PV kit.
 - Connect low voltage cable from the Power Vent to Connection 6 (below), matching colors - white to white, black to black & green to green).
 - Fans and sensors on the main board are optional and will be included on double glass systems.



GAS INSTALLATION

GENERAL

WARNING! Risk of Fire or Explosion!
All gas handling and installation should be performed by qualified service technician or installer.
Gas build-up during line purge could ignite. Ensure adequate ventilation. Make sure there are no ignition sources/sparks or open flames.
Do not change the gas valve setting! The fireplace gas valve has been preset at the factory.
Installing an external manual gas valve before connection to the fireplace is a must.
Make sure to check for gas leaks before lighting the fireplace for the first time. When checking for leaks do not use open flame.

This appliance and its individual shut off valve must be disconnected from gas supply piping system during any pressure testing of that system at test pressures more than ½ psig (3.5 kPa).

This appliance must be isolated from the gas supply piping system by closing its individual manual shut off valve during any pressure testing of the gas supply piping system at test pressures equal to or less than 1/2 psig (3.5 kPa).

- Move the appliance into position and secure it to the wall using the back or side mount.
- Install a manual gas valve before the connection to the fireplace appliance automatic valve.
- Connect the gas line to the fireplace. The appliance is designed to accept a 1/2" (13mm) gas supply.
- Connect the gas supply in accordance to local codes, CAN/CSA-B149.1 in Canada or to the current National Fuel Gas Code, ANSI Z223.1 / NFPA 54 in the United States.
- Check for gas leaks using non-corrosive commercially available leak-check solution before operating the gas appliance.
- Measure and document gas pressure here: Inlet _____ W.C. Burner (Manifold) _____ W.C. -- Make sure the Min/Max inlet pressure match the table below.
- Lighting the fireplace for the first time may take some time until the line is purged

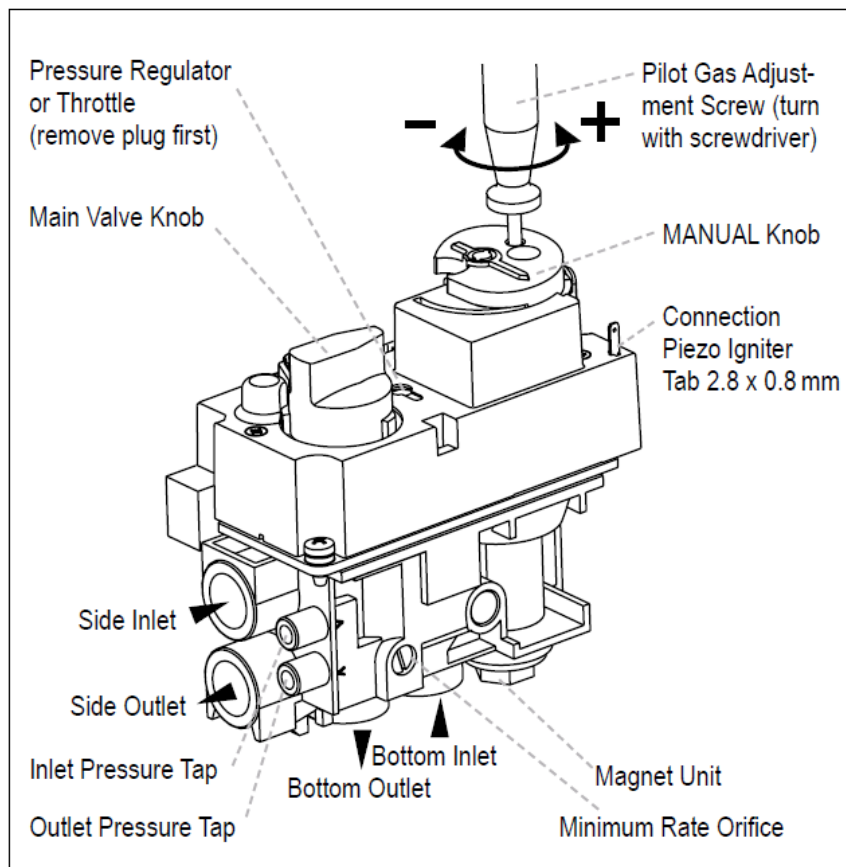
Note: Do not place the gas valve or controls above the level of the burner.

Gas Pressure	Natural Gas	Propane
Minimum inlet pressure	5.0" W.C	10". W.C
Maximum inlet pressure	10" W.C	13" W.C

Acceptable Inlet Gas pressure table

WARNING! Risk of Fire or Explosion! High pressure will damage valve. Low pressure could cause explosion.

Verify inlet pressures. Verify minimum pressures when other household gas appliances are operating.



Have the gas supply line installed in accordance with local codes, if any. If not available, follow ANSI Z23.1.

Installation should be done by a qualified installer approved and/or licensed as required by the locality (**in the Commonwealth of Massachusetts installation must be performed by a licensed plumber or gas fitter**).

ORIFICE SIZE

Flare Fireplace appliances are tested and approved for installations at elevations of 0–4500 feet (0–1372 meters) above sea level using the standard burner orifice sizes. At the time of installation, it must be determined if the appliance needs to be derated. Contact your local gas supplier for deration requirements for your area.

Derated installation consideration can start at 2000 Ft above sea level.

At higher elevations, the amount of BTU fuel value delivered must be reduced by either using gas that has been derated by the gas company or by changing the burner orifice to a smaller size as regulated by the local authorities having jurisdiction and by the (USA) National Fuel Gas Code NFPA 54/ANSI Z223.1 - latest edition or in Canada, the CAN/CSA-B149.1 codes – latest edition.

GAS VALVE ACCESS DOOR

The Flare Fireplace gas valve and control system is on an “umbilical cord” that can be stretched up to 50” from the middle of the fireplace and be put next to the access door location.

Do not place the gas valve or controls above the level of the burner. If the fireplace is to sit low on the floor, the controls must be placed outside the non-combustible zone or insulated from the heat from the fireplace.

The access door can be placed on any side of the fireplace, below the non-combustible line.

The use of a 10”x10” access door is highly recommended. If no access door is installed, it is possible to access the gas valve from inside the fireplace by removing the glass.

The access door can also be used as a lower air intake for a double glass installation if it is perforated, and the opening requirements are maintained.

The access door can be concealed in many ways such as HVAC vent cover, removable tile connected with Velcro straps and more.

COMMONWEALTH OF MASSACHUSETTS

State of Massachusetts Carbon Monoxide

Detector/Vent Terminal Signage Requirements for all side wall horizontally vented gas fueled equipment installed in every dwelling, building or structure used in whole or in part for residential purposes, including those owned or operated by the Commonwealth and where the side wall exhaust vent termination is less than seven (7) feet above finished grade around the venting, including but not limited to decks and porches, the following requirements shall be satisfied:

1. **INSTALLATION OF CARBON MONOXIDE DETECTORS.** At the time of installation of the side wall horizontal vented gas fueled equipment, the installing plumber or gas fitter shall observe that a hard-wired carbon monoxide detector with an alarm and battery back-up is installed on the floor level where the gas equipment is to be installed. In addition, the installing plumber or gas fitter shall observe that a battery operated or hard-wired carbon monoxide detector with an alarm is installed on each additional level of the dwelling, building or structure served by the side wall horizontal vented gas fueled equipment. It shall be the responsibility of the property owner to secure the services of qualified licensed professionals for the installation of hard wired carbon monoxide detectors.
 - a. If the side wall horizontally vented gas fueled equipment is installed in a crawl space or an attic, the hard-wired carbon monoxide detector with alarm and battery back-up may be installed on the next adjacent floor level.
 - b. In the event that the requirements of this subdivision cannot be met at the time of completion of installation, the owner shall have a period of thirty (30) days to comply with the above requirements; provided, however, that during said thirty (30) day period, a battery operated carbon monoxide detector with an alarm shall be installed.
2. **APPROVED CARBON MONOXIDE DETECTORS.** Each carbon monoxide detector as required in accordance with the above provisions shall comply with NFPA 720 and be ANSI/UL 2034 listed as IAS certified.
3. **SIGNAGE.** A metal or plastic identification cation plate shall be permanently mounted to the exterior of the building at a minimum height of eight (8) feet above grade directly in line with the exhaust vent terminal for the horizontally vented gas fueled heating appliance or equipment. The sign shall read, in print size no less than one-half (1/2) inch in size, "GAS VENT DIRECTLY BELOW. KEEP CLEAR OF ALL OBSTRUCTIONS".
4. **INSPECTION.** The state or local gas inspector of the side wall horizontally vented gas fueled equipment shall not approve the installation unless, upon inspection, the inspector observes carbon monoxide detectors and signage installed in accordance with the provisions of 248 CMR 5.089(2)(a) 1 through 4.

(b) **EXEMPTIONS.** The following equipment is exempt from 248 CMR 5.089(2)(a) 1 through 4.

1. The equipment listed in Chapter 10 entitled "Equipment Not Required to Be Vented" in the most current edition of NFPA 54 as adopted by the Board; and
2. Product Approved side wall horizontal vented gas fueled equipment installed in a room or structure separate from the dwelling, building or structure used in whole or in part for residential purposes.

(c) **MANUFACTURER REQUIREMENTS – GAS EQUIPMENT VENTING SYSTEM PROVIDED.** When the manufacturer of Product Approved side wall horizontally vented gas equipment provides a venting system design or venting system components with the equipment, the instructions provided by the manufacturer for installation of the equipment and the venting system shall include:

1. Detailed instructions for the installation of the venting system design or the venting system components; and
2. A complete parts list for the venting system design or venting system.

(d) **MANUFACTURER REQUIREMENTS – GAS EQUIPMENT VENTING SYSTEM NOT PROVIDED.** When the manufacturer of a Product Approved side wall horizontally vented gas fueled equipment does not provide the parts for venting the fuel gases, but identifies "special venting systems", the following requirements shall be satisfied by the manufacturer.

1. The referenced "special venting system" instructions shall be included with the appliance or equipment installation instructions; and
2. The "special venting systems" shall be Product Approved by the Board, and the instructions for that system shall include a parts list and detailed installation instructions.

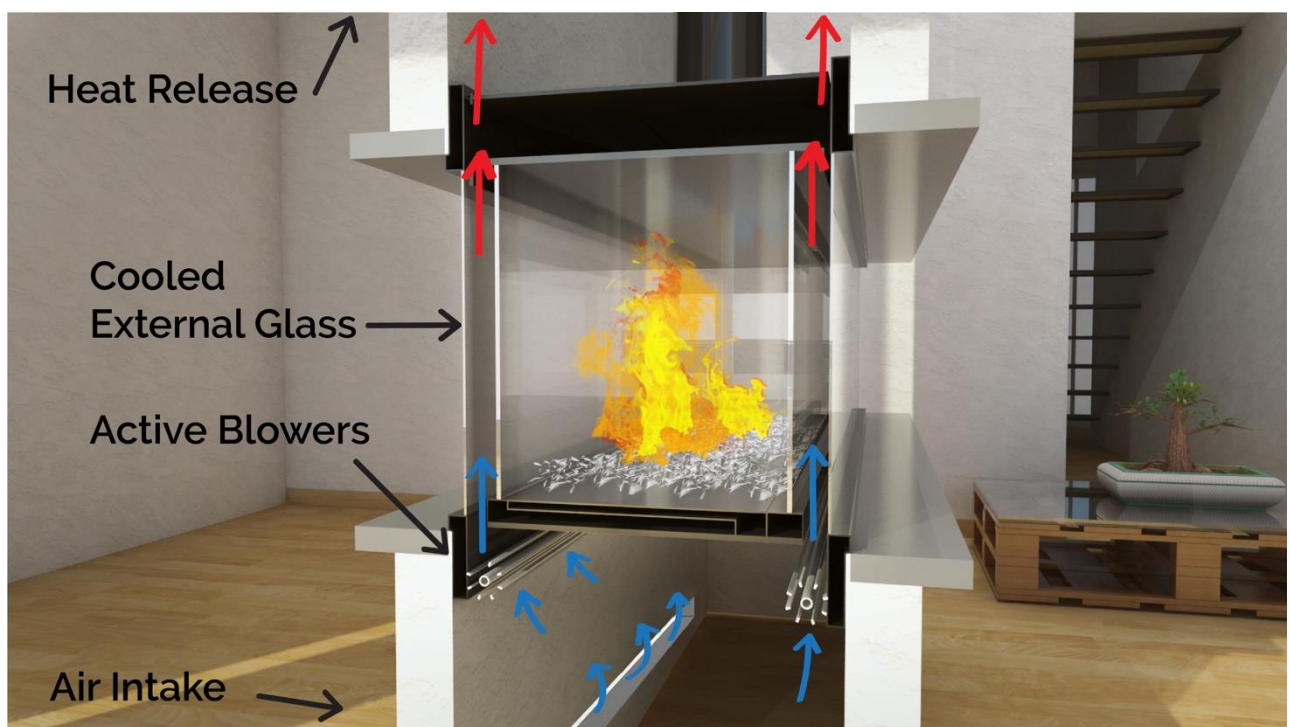
(e) A copy of all installation instructions for all Product Approved side wall horizontally vented gas fueled equipment, all venting instructions, all parts list for venting instructions, and/or all venting design instructions shall remain with the appliance or equipment at the completion of the installation.

FLARE FIREPLACES - DOUBLE GLASS

OVERVIEW

With an effort to make our fireplaces safer, Flare Fireplaces is offering our full line of products with a safety double glass technology. The Flare Fireplace double glass is built with two layers of glass. The design allows cool air to flow between the two layers, with the help of built-in blowers, which significantly lowers the temperature of the external glass, making it safe for a brief touch. Double Glass is suitable for commercial as well as residential use.

The double glass feature provides a sleek look with no frame, while maintaining heating characteristics and efficiency. This feature does not affect the clearance or venting requirements.



DOUBLE GLASS - INSTRUCTIONS

The double glass design depends on the blower's ability to move room temperature air from the lower air intake, up between the internal and external glass, through the chase above the fireplace, and out the upper heat release.

The following sizes **MUST** be maintained for the upper heat release:

For fireplaces sized **60" / 150 cm** and above - vent area must be at least **140 square inches**.

For fireplace sized **50" / 125 cm** and below - vent area must be at least **100 square inches**.

The following sizes MUST be maintained for the lower air intake:

For fireplaces sized **60" / 150 cm** and above - vent area must be at least **70 square inches**.

For fireplaces sized **50" / 125 cm** and below - vent area must be at least **50 square inches**.

For See Through and Room Definer fireplaces, the air intake requirements are **double**.

The upper heat release may be a single or multiple openings if the total size of all the openings is at least the minimum requirement listed above. They can be set at the front, back, side or top.

The lower air intake may be a single or multiple openings if the total size of all the openings is at least the minimum requirement listed above. They can be set at the front, back, side or top. It is recommended to place one opening on either side of longer units, to allow for better distribution across all fans of air taken in from the bottom.

Lower air intake is **REQUIRED** for double glass and units with an optional blower kit.

POWER REQUIREMENTS

The built-in active blower system for the double glass design requires a power 110v 1PH 15A.

TELEVISION MOUNTING ABOVE FIREPLACE

The Flare Fireplace frameless design directs the heat from the fireplace into the fireplace chase to be released from the top vent opening. The design allows for relatively low temperature on the external wall above the fireplace.

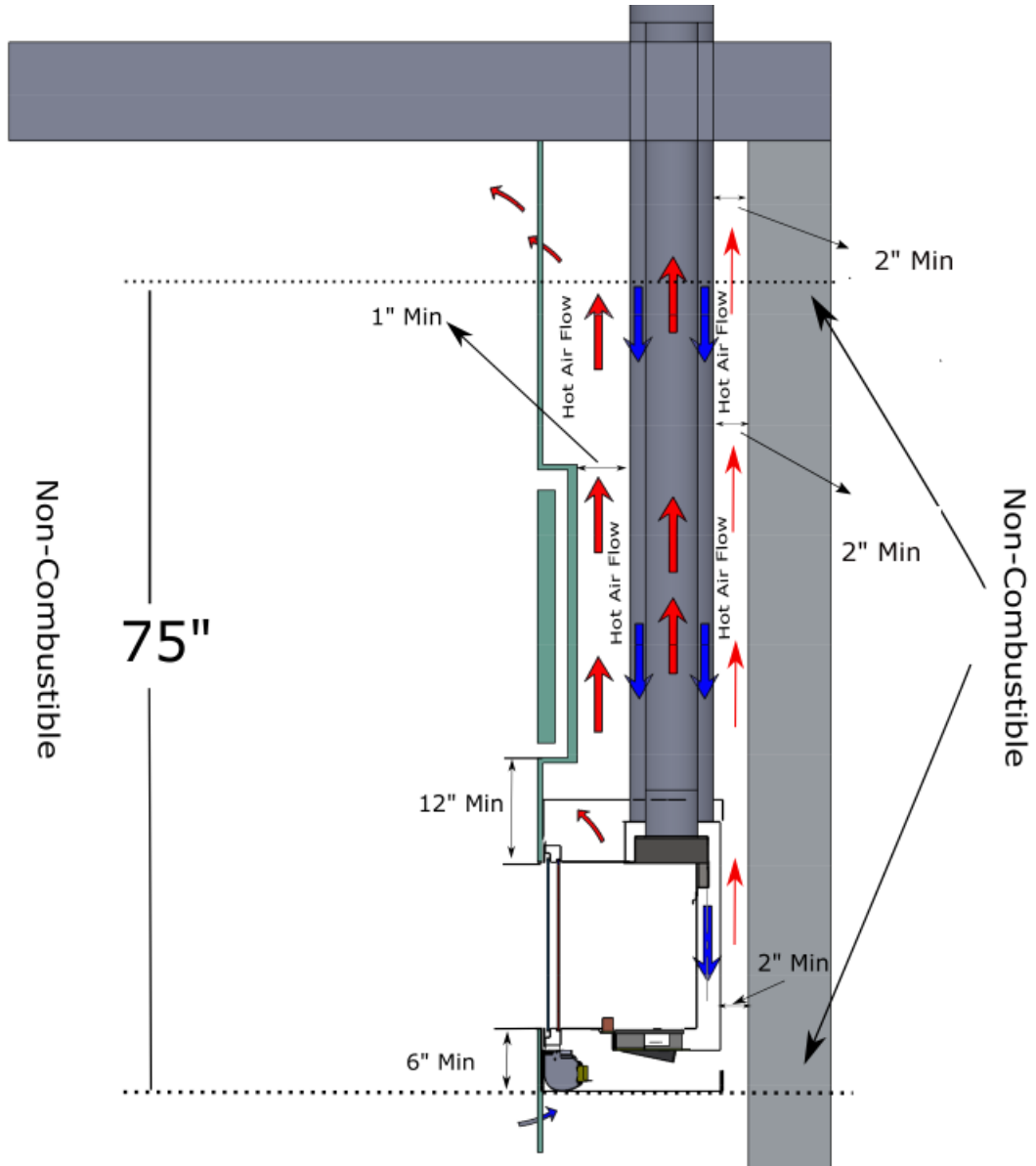
Follow the chart below for suggested installation of a television above the fireplace

- Please note that electric wiring used for the television must be insulated when installed below non-combustible line.
- It is critical that wiring insulation **does not** obstruct the hot air flow from going to the top part of the chase to be released back to the room.
- Follow the chart below for clearance and sizing.
- **It is recommended to double wall** the area behind the TV to allow cables and other related material to be installed with less concern of blocking hot air flow. Use non-combustible material for double wall.
- All wires **MUST** be secured and anchored to the frame to prevent any possibility of wires dropping on top of the Fireplace.
- TV must be recessed when installed above the Fireplace or protected by a mantel.
- Wires should be inserted to the recess from the top or sides (In order to avoid proximity to the fireplace vent).

Please note that most television manufactures and manuals will instruct the owner not to install television above or near a fireplace. Mounting a television above the fireplace is based on the owner's decision and responsibility.

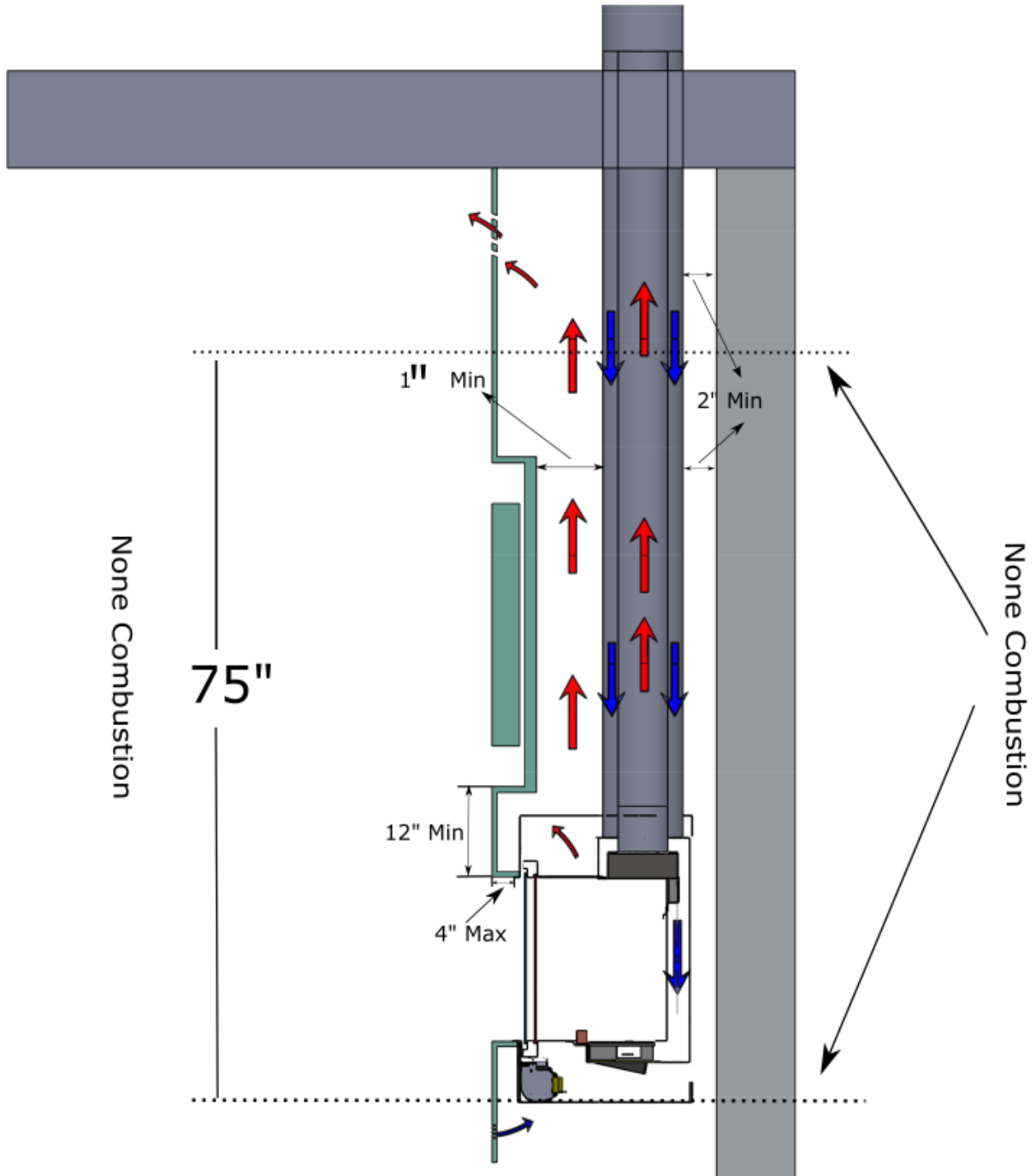
See next page for example and clearance information.

TV INSTALL – FLAT EXAMPLE



Warning! – Maintain open Air flow between the fireplace and drywall. Make sure cables or any other materials are not blocking hot air flow.

TV INSTALL – L TYPE EXAMPLE



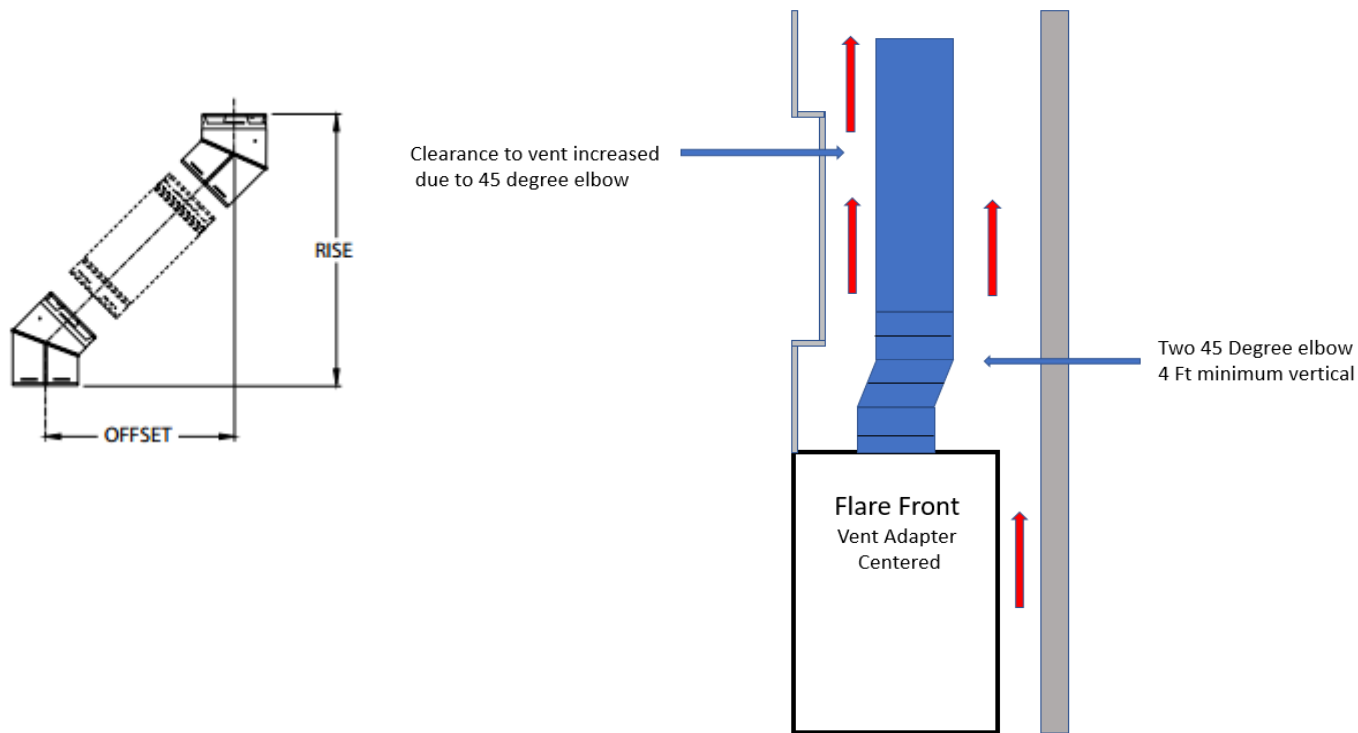
Warning! – Maintain Open Air flow between the fireplace and drywall. Make sure cables or any other materials are not blocking hot air flow.

TV INSTALL RECESS – 45 DGREE ELBOW ON TOP OF THE UNIT

When planning a TV recess, clearance to the vent is critical and needs to be a minimum of 1” to the non-combustible recessed wall. This is to prevent heat from radiating from the vent to the recessed wall and being transferred to the TV.

Due to the central location and diameter of the vent (8 inches), one of the following solutions may be necessary to maintain the clearance requirement:

1. Install the fireplace with a recess up to 4” inches at the top of the glass, which will bring the front wall out and allow for space to recess also the TV. See an example of this on the [previous page](#).
2. Install two 45 elbows directly above the fireplace followed by a minimum 4 ft vertical vent rise. The two small elbows will move the vertical section back 5 5/8”. Note that the 1-inch clearance from the vent applies also to the back non-combustible wall.



4x6		5x8	
Offset	Rise	Offset	Rise
5"	13 1/2"	5 5/8"	15 3/8"

3. Do not use any elbow with an angle larger than 45 degrees.
4. A 4 ft minimum vertical vent must be used after the two 45 degree elbows.
5. Above vent path should be used for Flare Front and Flare See Through only.

TV INSTALL WITHOUT RECESS – MANTEL REQUIREMENTS

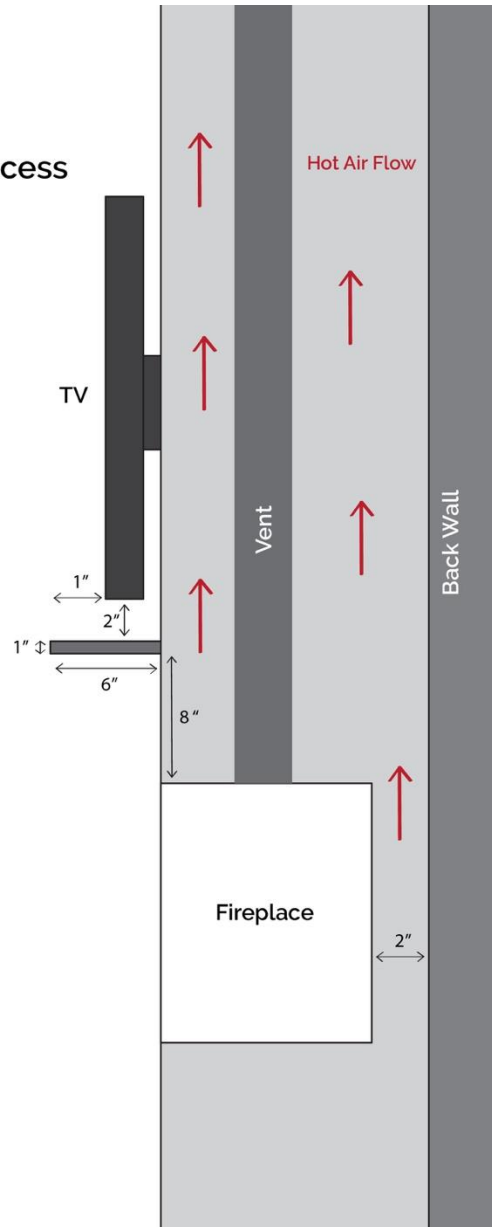
Minimum Requirements for Installing a Television without a Recess

The TV must be at least 11 inches total above the glass of the fireplace.

A mantel at least 1 inch thick and 6 inches deep, should be installed 8 inches above the glass.

The TV must be at least 2 inches above the mantel and 1 inch back from the edge of the mantel.

All measurements shown are minimum requirements



CLEARANCES

GENERAL INFORMATION AND STEPS

1. **Floor clearance** – The minimum clearance to floor is 1 inch, although the telescopic legs retract to 4 inches below the fireplace. This means the legs may be set into the floor a maximum of 3 inches while maintaining the minimum clearance to the floor.

NOTICE: Install appliance on hard metal or wood surfaces extending full width and depth.

WARNING! - DO NOT install directly on carpeting, vinyl or any combustible material other than wood.

2. **Front clearance** - Do not put furniture or objects within 36 inches (914 mm) of glass front of appliance.
3. **Clearance to Metal frame** – Clearance to metal frame is 1/2 inch (12.7 mm) minimum. In the chase, metal framing is required 18 inches above the fireplace. Above that, wood studs covered by non-combustible material is allowed. See the next page for details.
4. **Minimum Combustible Clearances from Vent** –
 - HORIZONTAL VENT CLEARANCES: A minimum clearance of 3 inches (76mm) to the top and 1 inch (25mm) to the sides and bottom of the vent pipe on all horizontal runs to combustibles is required.
 - VERTICAL VENT CLEARANCES: A minimum of 1 inch (25mm) all around the vent pipe on all vertical runs to combustibles is required except for clearances in appliance enclosures.
 - Horizontal Vents must have a minimum 1/4 inch (6mm) rise per 1 foot run towards the termination.

WARNING! - Never allow the vent to run downward. A downward slope can trap heat and become a possible fire hazard.

WARNING!

Maintain vent clearance to combustibles as detailed above.

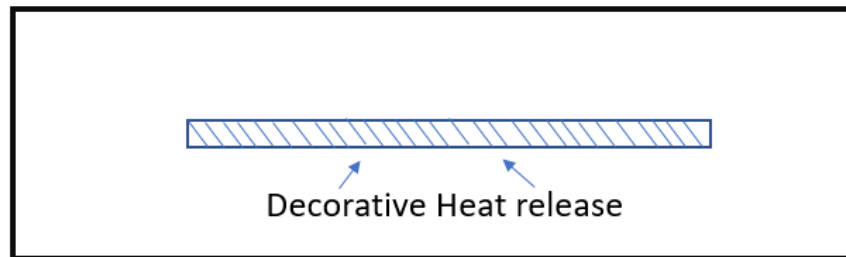
DO NOT pack air space with insulation or other materials.

Failure to keep insulation or other materials away from vent pipe could cause overheating and fire.

5. **Mantel Clearance** – Combustible mantel clearance can vary according to the mantel depth and height. [Use table and diagram on page 70 for guidelines on Mantel Installation](#)

6. **Fireplace shelf enclosure** – The minimum height to the inside of a shelf above the fireplace is 6 inches (12 inches above the glass). The shelf must be built with non-combustible material at least 5/8” thick. Due to the low size of shelf enclosure, it is recommended to build the enclosure using a Skamol board. The Skamol board is a light non-combustible material that can help prevent the formation of cracks and is a good insulator. The shelf enclosure **must** comply with Flare heat release requirements.

SHELF TOP VIEW



7. **Ceiling Clearance-**

The minimum ceiling height for a Flare is the top of the non-combustible zone, as defined in the next item.

For Flare 24” models – the minimum height will be 40”, from the top of the unit.

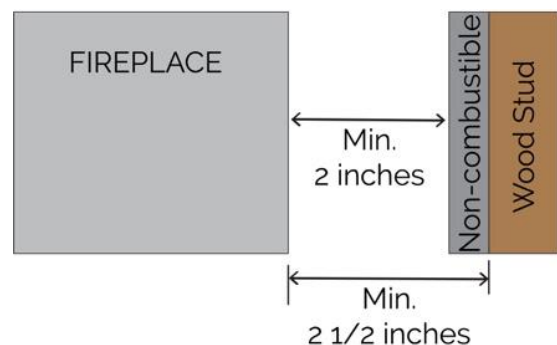
For Flare 16” models - the minimum height will be 47” from the top of the unit.

The heat release above the fireplace is critical for keeping the chase and surrounding walls at a relatively low temperature.

The **Non-Combustible Zone** extends 75 inches up from the base of the fireplace. On Flare models with 16-inch high glass, the top of this zone is 47 inches from the top of the fireplace. On Flare models with 24-inch high glass, the top of this zone is 40 inches from the top of the fireplace.

8. **Minimum clearance to sides and back - non-combustible** – The minimum clearance from the back and sides of the fireplace to any **non-combustible** material (i.e. cement board or Type X fire rated board) is 2 inches below the non-combustible line. This clearance allows for proper air flow.
9. **Minimum clearance to sides and back – Covered combustible** - Combustible material at the back or sides of the fireplace, below the non-combustible line, **MUST** be covered with non-combustible material that is at least ½ inch thick.

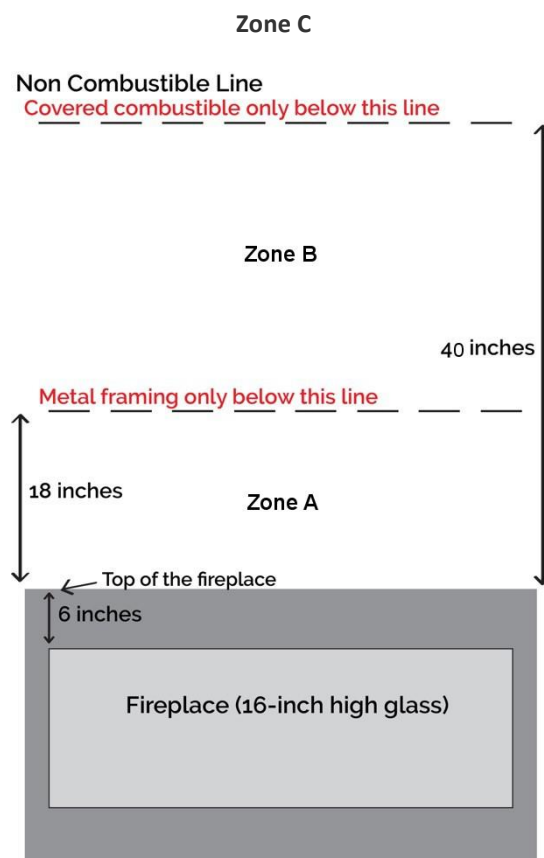
Example: A non-combustible cement board is placed 2 inches from the back of the fireplace. The cement board used is 1/2 inch thick. Combustible material can be used behind cement board as it is a total of 2 1/2 inches (2” + ½”) away from the back of the fireplace and is covered with a non-combustible material.



10. **Minimum clearance to sides and back – Combustible** – Clearance to **combustible** material at the back or sides of the fireplace, below the non-combustible line is **8"**. Please note this **does not** include minimum clearance directly above the fireplace inside the chase. Please see items starting at 12.
11. **Minimum clearance directly above the fireplace inside the chase – non-combustible** – All non-combustible studs to be installed a minimum of ½" away from the fireplace. Metal studs should not connect to the fireplace or touch the fireplace. Doing so will result in heat transfer from the fireplace to the metal stud.
12. **Minimum clearance directly above the fireplace inside the chase – Combustible**
No combustible material or covered combustible material should be placed inside the chase 18" directly above the fireplace (Zone A).

Covered combustible material may be placed inside the chase 18 inches above the fireplace (Zone B). See details and chart below.

Above the non-combustible zone, combustible material may be used without a non-combustible covering. (Zone C)



13. **Finishing around front of the fireplace** - Non-combustible finishing material (i.e. cement board, brick, stone, tile & 5/8-inch Type X fire rated drywall) **MUST** be used to finish around the front of the appliance (in the non-combustible area).

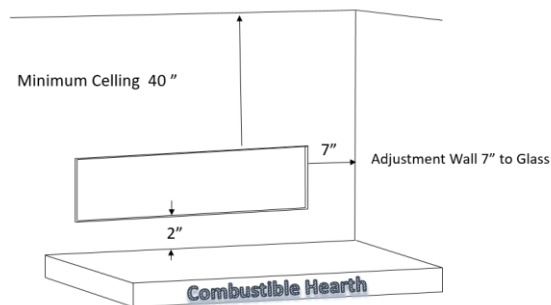
Covered combustible material, below the non-combustible line, can be used to finish around the fireplace, if the proper distance from the fireplace is maintained.

DO NOT connect materials to or drill into the metal fireplace frame. This can result in excessive heat transfer and/or damage to the fireplace and surrounding materials.

14. **Hearth Clearance** - Clearance to an **uncovered combustible hearth** below the glass is **2 inches**. A combustible hearth may be covered with at least 5/8-inch thick non-combustible material which is placed directly below the glass. Any combustible supporting material, such as wood studs must also be covered with 5/8" thick non-combustible material.

A **non-combustible** hearth can be installed directly below glass level.

15. **Adjacent Wall** – Distance to any side adjacent wall must be at least 7 inches from the glass.



CLEARANCES SPECIFICATION

Non-Combustible Materials Specification

Material which will not ignite and burn. Such materials are those consisting entirely of steel, iron, brick, tile, concrete, slate, glass or plasters, or any combination thereof. Materials that are reported as passing ASTM E 136, Standard Test Method for Behavior of Materials in a Vertical Tube Furnace at 750 °C shall be considered non-combustible materials. Non-combustible cement board approve must be at least 1/2" (13 mm) thick.

Non-combustible material may be installed on the fireplace frame to cover the metal part as detailed in the installation examples and clarifications only if there is no weight transfer to the fireplace. Facing and/or finishing materials must never overhang into the glass opening.

DO NOT connect materials to or drill into the metal fireplace frame. This can result in excessive heat transfer and/or damage to the fireplace and surrounding materials.

All joints between the finished wall sheathing and the appliance must be sealed with non-combustible materials.

WARNING! Risk of Fire! DO NOT apply combustible materials beyond the minimum clearances. Comply with all minimum clearances to combustibles as specified in this manual.

Examples of noncombustible materials to be used:

- Skamol Skamotec
- Promat PROMAFour System 1/2"/12 mm, 5/8"/15 mm, 3/4"/18 mm

- James Hardie HardieBacker® 1/2" Cement Board
- 5/8" Type X fire rated drywall. Type X gypsum board must comply with ASTM C1396 specification. Type X fire rated gypsum board can be used around the fireplace or at the back as a non-combustible material.

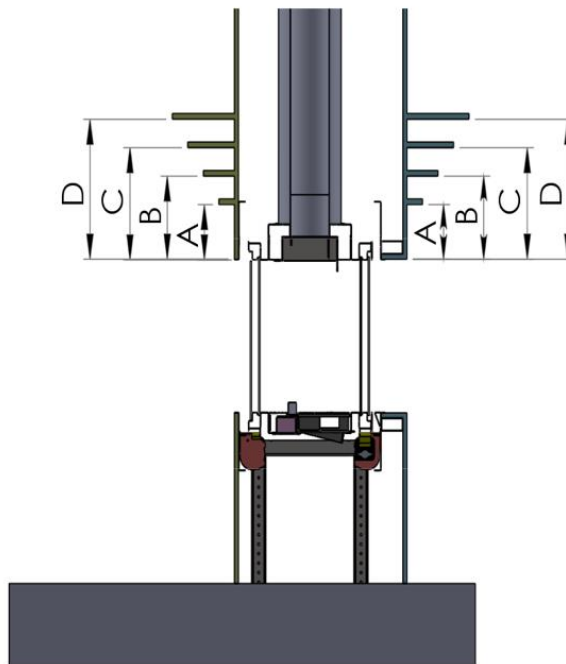
Combustible Materials Specification

Materials made of or surfaced with wood, compressed paper, plant fibers, plastics, or other material that can ignite and burn, whether flame-proofed or not, or plastered or unplastered shall be considered combustible materials.

MANTEL CLEARANCE

Combustible mantel clearance can vary per the mantel size and location. Use chart and provided table for information on mantel install. Do not anchor any mantel or shelf to the fireplace. Only use metal studs above the fireplace as anchor points

REF	Height	Mantel Depth
A	2"	1"
B	4"	4"
C	6"	6"
D	10"	12"



Mantel Clearance table and example

HEAT RELEASES

All Flare Fireplaces (both safety screen and double glass units) require heat releases for warm air to flow back into the room. This controls the temperature of the surrounding walls, keeping them relatively cool.

Top Hot Release - The release/ outlet for hot airflow from the wall enclosure **MUST** remain open. The outlet must be at the top part of the enclosure but not necessarily at the front, so long as the measurements below are maintained. Heat release opening can be installed at the sides of the enclosure (one on every side), back or on top of (in case of a drop wall design).

For fireplaces sized **60" / 150 cm** and above - vent area must be at least **140 square inches**.

For fireplace sized **50" / 125 cm** and below - vent area must be at least **100 square inches**.

The top of the outlet(s) must be at least 1" (25mm) down from the ceiling and no more than 3" (76mm) down. The vent can also be installed on top of the enclosure, in case of a drop wall (a chase that is not built all the way to the upper ceiling).

Any opening greater than the minimum size is highly recommended and will help reduce the temperature of the surrounding walls.

AIR INTAKE

Flare Fireplace offers units with Double Glass or an optional Blower Kit require air intake below the glass. This allows air circulation which cools the external glass and increases the efficiency of the fireplace. See diagram on page 63.

Lower Air Intake - **Optional** for normal safety screen installation. **Required** for installation with double glass or safety screen with optional blower kit.

For fireplaces sized **60" / 150 cm** and above - vent area must be at least **70 square inches**.

For fireplaces sized **50" / 125 cm** and below - vent area must be at least **50 square inches**.

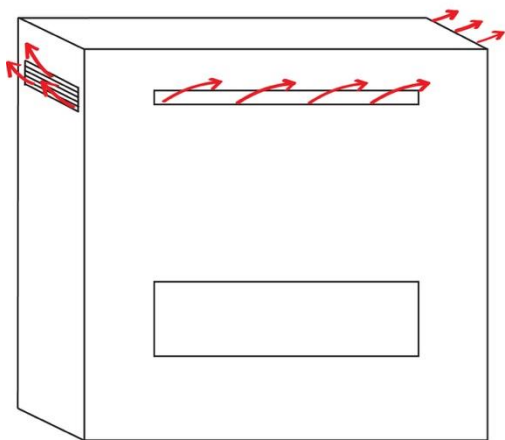
For See Through and Room Definer fireplaces, the air intake requirements are **double**.

Lower vent opening can also be used as an access door to the gas valve, as long as it meets both requirements in terms of size. Lower vent opening can be installed at the sides of the enclosure (**one on every side**), back or front. It is recommended to place an opening on long side of the glass, to allow for better distribution across all fans of air taken in from the bottom. Air intake should be placed to allow equal amount of room temperature distributed between all fans.

RELEASE AND INTAKE EXAMPLE

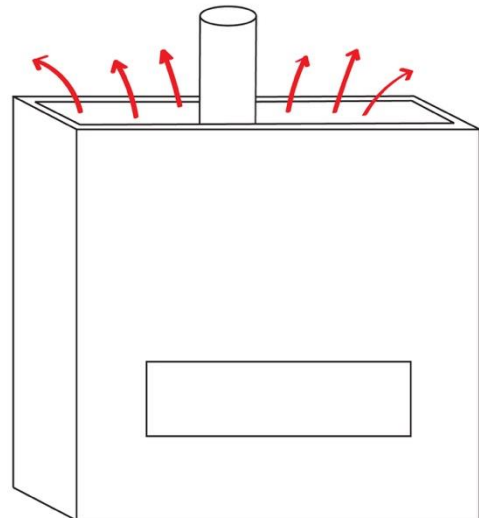
Classic Registers

Openings at the front, sides, or back (pick one or more) can be covered with vent registers. It is possible to heat multiple rooms this way.



Drop Wall

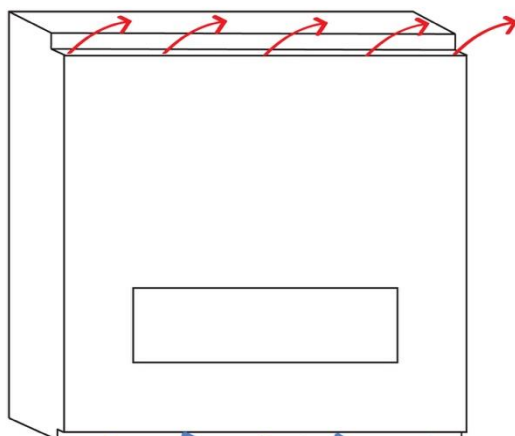
The wall does not reach to the ceiling and is left open on top.



Shadow Line

A recess hides the opening at the top for heat release or at the bottom for air intake (for double glass units).

Top Shadow Line



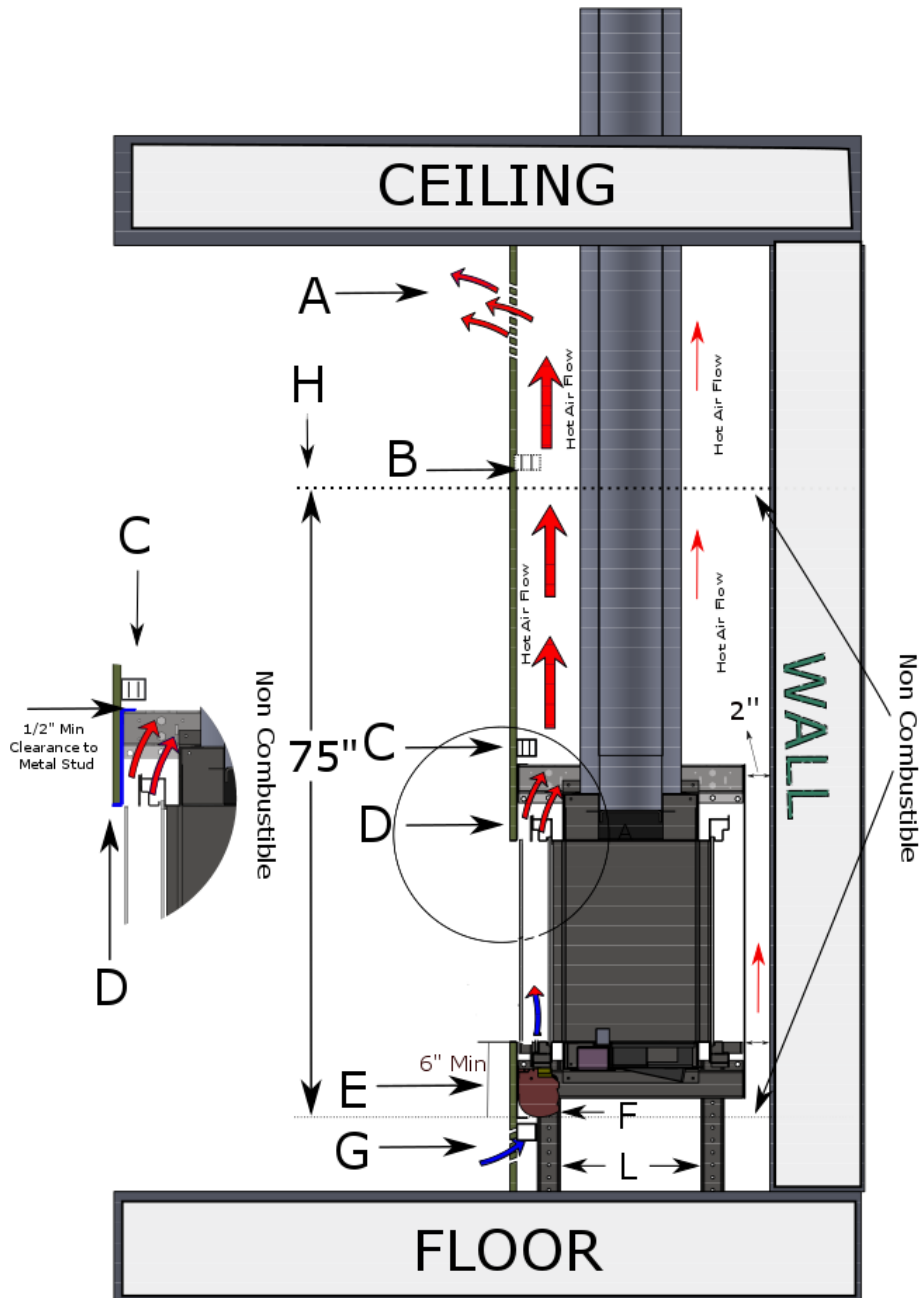
Bottom Shadow Line

Finished Shadow Line Heat Release



FLARE FRONT, SEE THROUGH, AND CORNER FIREPLACE CLEARANCE

FLAT – SIDE AND ISOMETRIC VIEW



Warning! – Maintain open Air flow between the fireplace and drywall. Make sure cables or any other materials are not blocking hot air flow.

A. Top Vent system - Hot Airflow outlet from the wall enclosure **MUST** remain open. The outlet must be at the top part of the enclosure, but not necessarily at the front, if the measurements below are maintained.

For fireplaces sized **60" / 150 cm** and above - vent area must be at least **140 square inches**.

For fireplace sized **50" / 125 cm** and below - vent area must be at least **100 square inches**.

B. Open air flow for hot air to rise from the fireplace to the top of the enclosure. The enclosure can be supported by studs but open air flow **MUST** be maintained at all time. In case needed, insulation for electric wires or systems may be added but it is **important** to maintain the majority of the air flow open. **Never place any insulation on the fireplace.**

C. Metal Stud below non-combustible metrical line. Below non-combustible line, all studs used should be metal type. No studs to be connected to the fireplace frame (1/2 Inch clearance). Open hot airflow **MUST** be maintained and should not be blocked.

D. Non-combustible metrical is placed flat on the front fireplace support bracket. The support bracket holds the fire-rated, non-combustible, material and allows hot air to rise from the glass into the fireplace enclosure. Hot air is to be released into the room using the top static vent opening.

The fireplace enclosure must allow air to rise and circulate from the top of the fireplace glass (from lower vent opening), to be released back to the room from the top.

To increase heating, the enclosure should prevent hot air from being released to the attic by venting it back to the room using the static vent system (A).

Non-combustible stud **MUST NOT** be connected or drilled into the fireplace frame. Drilling into the fireplace frame can result in damage to the fireplace.

E. Cold air, drafted from the room through the lower static vent, (G) flows up and is heated by the fireplace. The Cold air gap should remain open to allow air to flow up and exchange heat with the fireplace. The fireplace can be installed with double glazing glass system or safety screens. Blower system may be used to push cold air up (F).

F. Heat exchange blowers are optional when fireplace is installed with safety screens. Heat exchange blowers must be included when installing a double glazing fireplace. The blowers are designed to move cold air from the room using the lower vent opening (G) up against the fireplace glass. As the air flows on the glass, it is heated and released back to the room from the glass front and from the top (A) vent opening.

G. Lower vent opening. **OPTIONAL** for normal installation. A **MUST** for double glass installation or blower kit option.

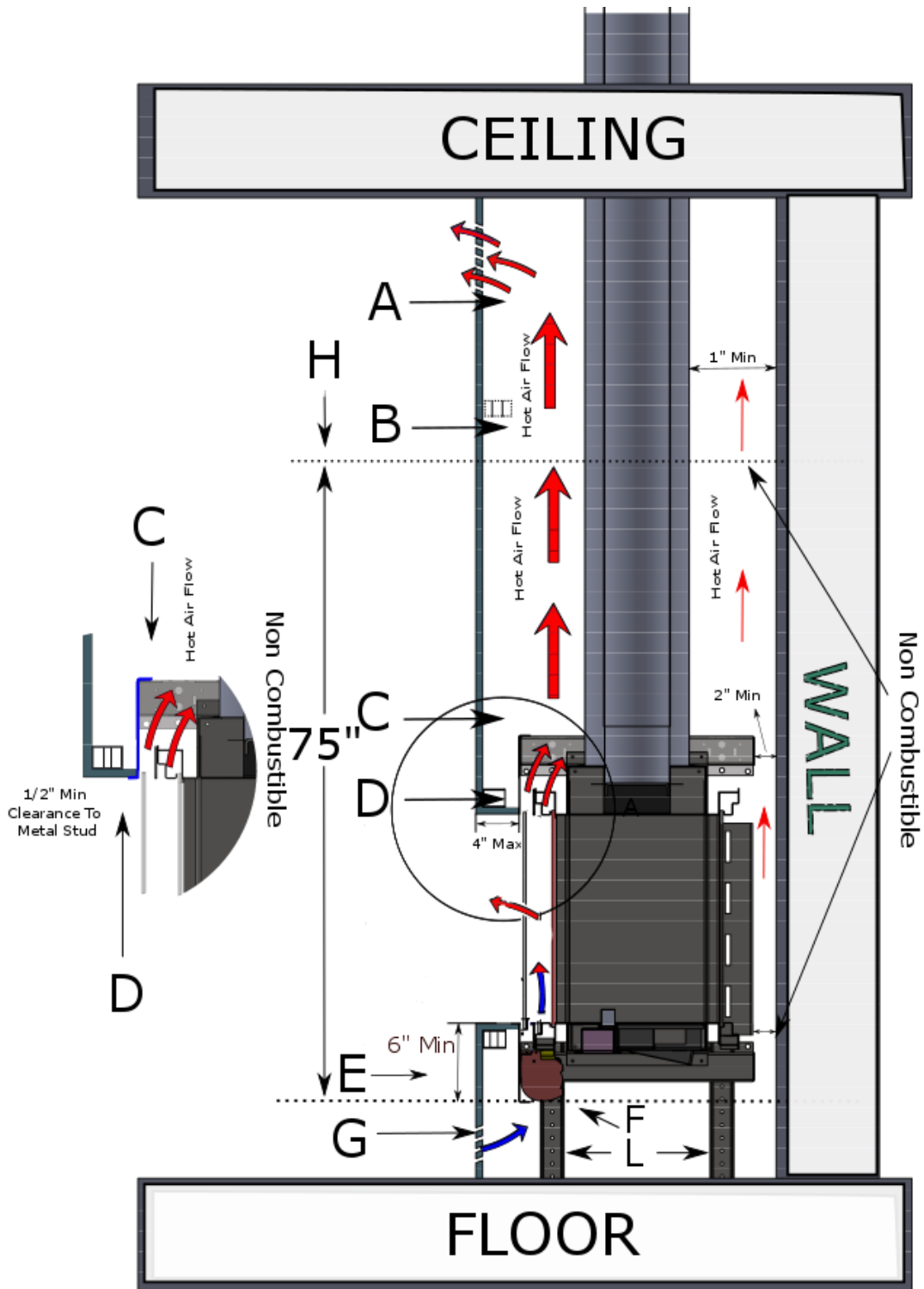
For fireplaces sized **60" / 150 cm** and above - vent area must be at least **70 square inches**.

For fireplaces sized **50" / 125 cm** and below - vent area must be at least **50 square inches**.

H. Non-combustible metrical line - 75 inch from the bottom of the fireplace. All installed metrical between lower and upper line must be non-combustible.

L. Adjustable fireplace legs.

L SHAPE – SIDE AND ISOMETRIC VIEW



WARNING! Maintain open air between the fireplace and drywall. Make sure cables or any other materials are not blocking hot air flow. **A. Block hot air flow** - Hot Airflow outlet from the wall enclosure **MUST** remain open. For Flare See Through fireplace, open vent must exist in both sides of the glass. The outlet must be at the top part of the enclosure but not necessarily at the front, as long as the measurements below are maintained.

For fireplaces sized **60" / 150 cm** and above - vent area must be at least **140 square inches**.

For fireplace sized **50" / 125 cm** and below - vent area must be at least **100 square inches**.

B. Open air flow for hot air to rise from the fireplace to the top of the enclosure. The enclosure can be supported by studs but open air flow **MUST** be maintained at all time. In case needed, insulation for electric wires or systems may be added but it is **important** to maintain the majority of the air flow open. **Never place any insulation on the fireplace.**

C. Metal Stud below non-combustible metrical line. Below non-combustible line, all studs used should be metal type. No studs to be connected to the fireplace frame (1/2 Inch clearance). Open hot airflow **MUST** be maintained and should not be blocked.

D. Non-combustible metrical is placed flat on the front fireplace support bracket. The support bracket holds the fire-rated, non-combustible, material and allows hot air to rise from the glass into the fireplace enclosure. Hot air is to be released into the room using the top static vent opening.

The fireplace enclosure must allow air to rise and circulate from the top of the fireplace glass (from lower vent opening), to be released back to the room from the top.

To increase heating, the enclosure should prevent hot air from being released to the attic by venting it back to the room using the static vent system (A).

Non-combustible stud **MUST NOT** be connected or drilled into the fireplace frame. Drilling into the fireplace frame can result in damage to the fireplace.

E. Cold air, drafted from the room through the lower static vent, (G) flows up and is heated by the fireplace. The Cold air gap should remain open to allow air to flow up and exchange heat with the fireplace. The fireplace can be installed with double glazing glass system or safety screens. Blower system may be used to push cold air up (F).

F. Heat exchange blowers are optional when fireplace is installed with safety screens. Heat exchange blowers must be included when installing a double glazing fireplace. The blowers are designed to move cold air from the room using the lower vent opening (G) up against the fireplace glass. As the air flows on the glass, it is heated and released back to the room from the glass front and from the top (A) vent opening.

G. Lower vent opening. **Optional** for normal installation. A **Must** for double glass installation or blower kit option.

For fireplaces sized **60" / 150 cm** and above - vent area must be at least **70 square inches**.

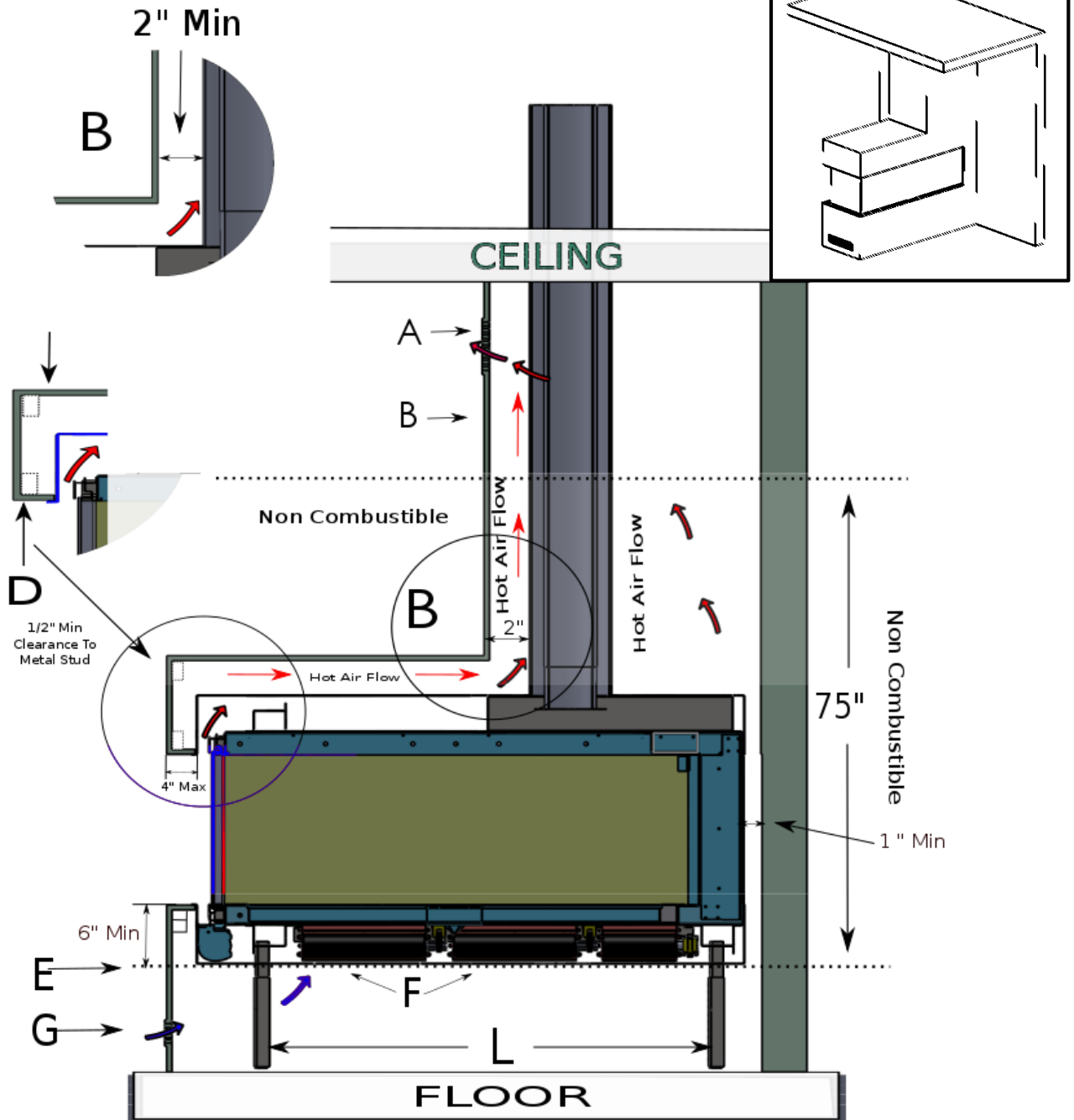
For fireplaces sized **50" / 125 cm** and below - vent area must be at least **50 square inches**.

H. Non-combustible metrical line - 75 inch from the bottom of the fireplace. All installed metrical between lower and upper line must be non-combustible.

L. Adjustable fireplace legs.

FLARE ROOM DEFINER FIREPLACE CLEARANCE

FLAT – SIDE AND ISOMETRIC VIEW



Warning! – Maintain open Air flow between the fireplace and drywall. Make sure cables or any other materials are not blocking hot air flow.

A. Top Vent system - Hot Airflow outlet from the wall enclosure **MUST** remain open. For Flare See Through fireplace, open vent must exist in both sides of the glass. The outlet must be at the top part of the enclosure but not necessarily at the front, as long as the measurements below are maintained.

For fireplaces sized **60" / 150 cm** and above - vent area must be at least **140 square inches**.

For fireplace sized **50" / 125 cm** and below - vent area must be at least **100 square inches**.

B. Open air flow for hot air to rise from the fireplace to the top of the enclosure. The enclosure can be supported by studs but open air flow **MUST** be maintained at all time. In case needed, insulation for electric wires or systems may be added but it is **important** to maintain the majority of the air flow open. **Never place any insulation on the fireplace.**

C. Metal Stud below non-combustible metrical line. Below non-combustible line, all studs used should be metal type. No studs to be connected to the fireplace frame (1/2 Inch clearance). Open hot airflow **MUST** be maintained and should not be blocked.

D. Non-combustible metrical is placed flat on the front fireplace support bracket. The support bracket holds the fire-rated, non-combustible, material and allows hot air to rise from the glass into the fireplace enclosure. Hot air is to be released into the room using the top static vent opening.

The fireplace enclosure must allow air to rise and circulate from the top of the fireplace glass (from lower vent opening), to be released back to the room from the top.

To increase heating, the enclosure should prevent hot air from being released to the attic by venting it back to the room using the static vent system (A).

Non-combustible stud **MUST NOT** be connected or drilled into the fireplace frame. Drilling into the fireplace frame can result in damage to the fireplace.

E. Cold air, drafted from the room through the lower static vent, (G) flows up and is heated by the fireplace. The Cold air gap should remain open to allow air to flow up and exchange heat with the fireplace. The fireplace can be installed with double glazing glass system or safety screens. Blower system may be used to push cold air up (F).

F. Heat exchange blowers are optional when fireplace is installed with safety screens. Heat exchange blowers must be included when installing a double glazing fireplace. The blowers are designed to move cold air from the room using the lower vent opening (G) up against the fireplace glass. As the air flows on the glass, it is heated and released back to the room from the glass front and from the top (A) vent opening.

G. Lower vent opening. **Optional** for normal installation. A **Must** for double glass installation or blower kit option.

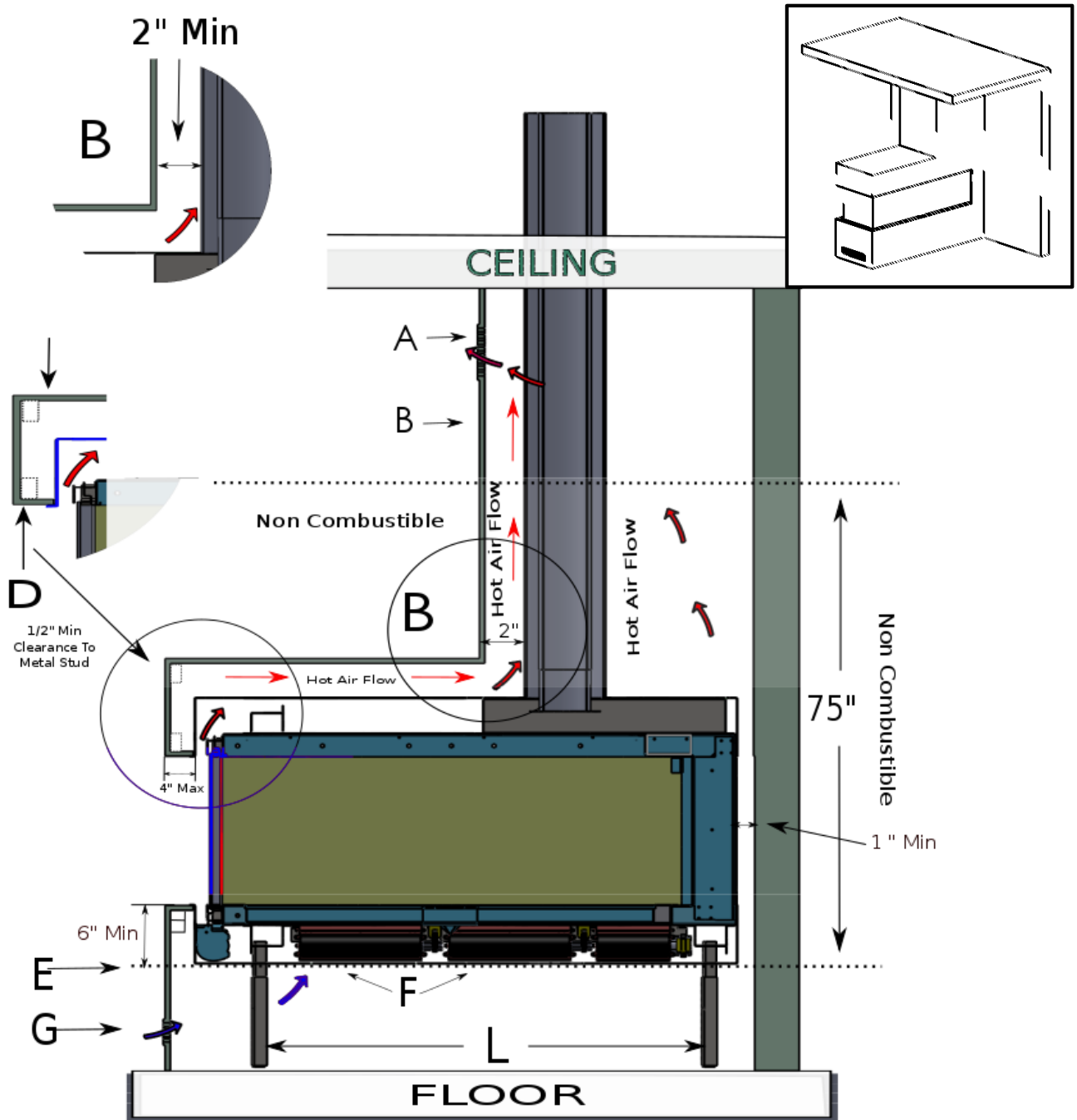
For fireplaces sized **60" / 150 cm** and above - vent area must be at least **70 square inches**.

For fireplaces sized **50" / 125 cm** and below - vent area must be at least **50 square inches**.

H. Non-combustible metrical line - 75 inch from the bottom of the fireplace. All installed metrical between lower and upper line must be non-combustible.

L. Adjustable fireplace legs.

L SHAPE – SIDE AND ISOMETRIC VIEW



Warning! – Maintain open Air flow between the fireplace and drywall. Make sure cables or any other materials are not blocking hot air flow

A. Top Vent system - Hot Airflow outlet from the wall enclosure **MUST** remain open. For Flare See Through fireplace, open vent must exist in both sides of the glass. The outlet must be at the top part of the enclosure but not necessarily at the front, as long as the measurements below are maintained.

For fireplaces sized **60" / 150 cm** and above - vent area must be at least **140 square inches**.

For fireplace sized **50" / 125 cm** and below - vent area must be at least **100 square inches**.

B. Open air flow for hot air to raise from the fireplace to the top of the enclosure. The enclosure can be supported by studs but open air flow **MUST** be maintained at all time. In case needed, insulation for electric wires or systems may be added but it is **important** to maintain the majority of the air flow open. **Never place any insulation on the fireplace.**

C. Metal Stud below non-combustible metrical line. Below non-combustible line, all studs used should be metal type. No studs to be connected to the fireplace frame (1/2 Inch clearance). Open hot airflow **MUST** be maintained and should not be blocked.

D. Non-combustible metrical is placed flat on the front fireplace support bracket. The support bracket holds the fire rated, non-combustible, material and allows hot air to raise from the glass into the fireplace enclosure. Hot air is to be released into the room using the top static vent opening.

The fireplace enclosure must allow air to rise and circulate from the top of the fireplace glass (from lower vent opening), to be released back to the room from the top.

To increase heating, the enclosure should prevent hot air from being released to the attic by venting it back to the room using the static vent system (A).

Non-combustible stud **MUST NOT** be connected or drilled into the fireplace frame. Drilling into the fireplace frame can result in damage to the fireplace.

E. Cold air, drafted from the room through the lower static vent, (G) flows up and is heated by the fireplace. The Cold air gap should remain open to allow air to flow up and exchange heat with the fireplace. The fireplace can be installed with double glazing glass system or safety screens. Blower system may be used to push cold air up (F).

F. Heat exchange blowers are optional when fireplace is installed with safety screens. Heat exchange blowers must be included when installing a double glazing fireplace. The blowers are designed to move cold air from the room using the lower vent opening (G) up against the fireplace glass. As the air flows on the glass, it is heated and released back to the room from the glass front and from the top (A) vent opening.

G. Lower vent opening. **Optional** for normal installation. A **Must** for double glass installation or blower kit option.

For fireplaces sized **60" / 150 cm** and above - vent area must be at least **70 square inches**.

For fireplaces sized **50" / 125 cm** and below - vent area must be at least **50 square inches**.

H. Non-combustible metrical line - 75 inch from the bottom of the fireplace. All installed metrical between lower and upper line must be non-combustible.

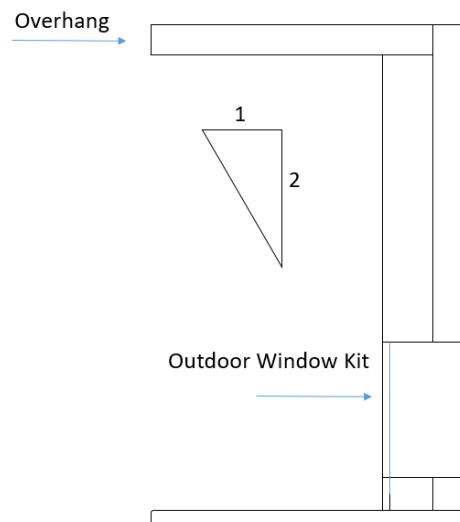
L. Adjustable fireplace legs.

INDOOR/OUTDOOR KIT

The following installation information is used for the Flare Fireplace outdoor kit. The outdoor window kit can only be used with Flare Front and Flare See Through. The Flare outdoor kit is installed like a window. The fireplace is then installed next to the outdoor window kit. All fireplace clearances must be followed when installing a Flare Fireplace next to a window kit.

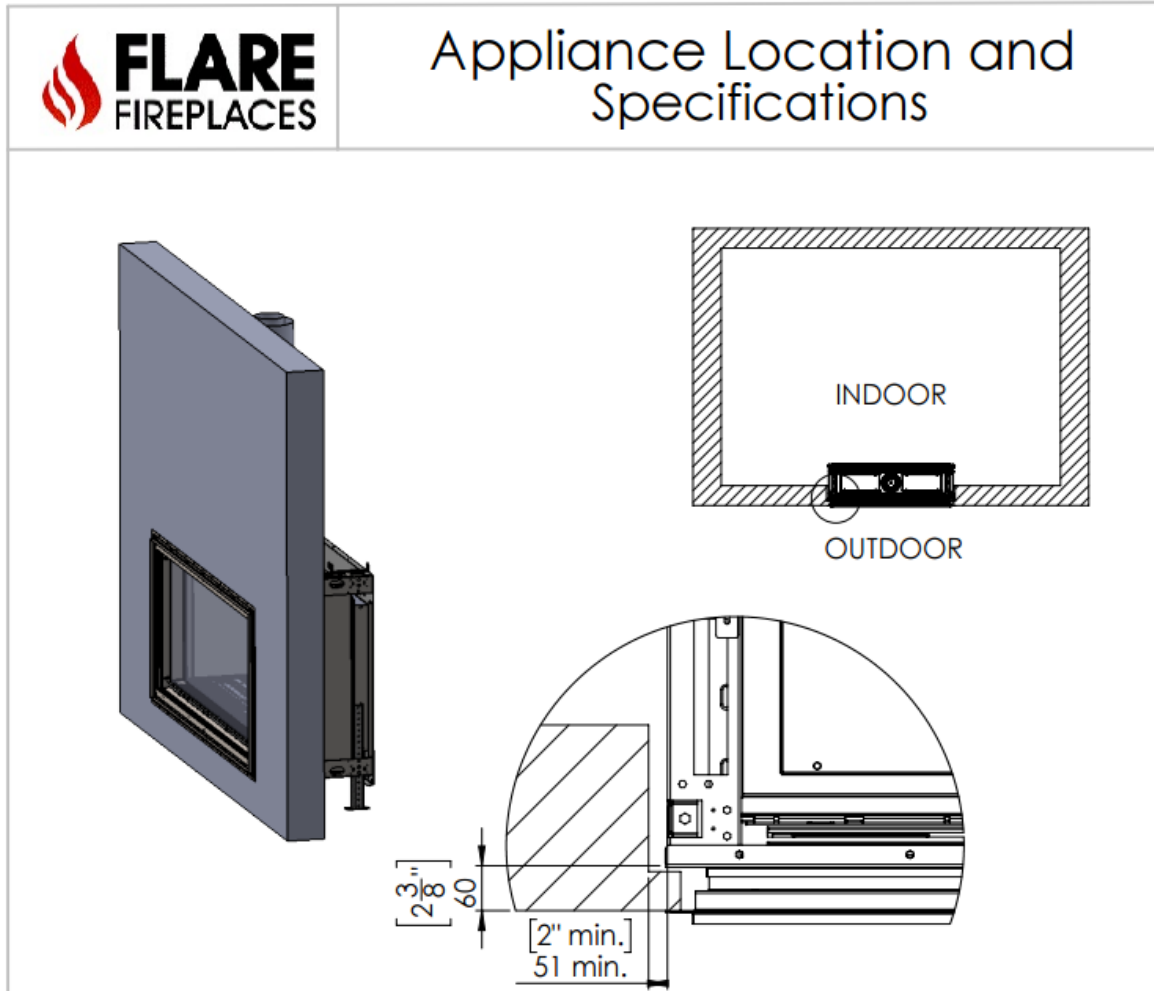
APPLIANCE LOCATION

- The Fireplace needs to be installed in a weatherproof enclosure. The Fireplace outdoor kit is made from stainless steel and is weatherproofed from the front glass only. The Fireplace must be installed in a weatherproof enclosure from the top, side and bottom.
- Overhang requirement. Weatherproof overhang in front of fireplace is 1/2 of the height of the overhang measured from the base of the unit.



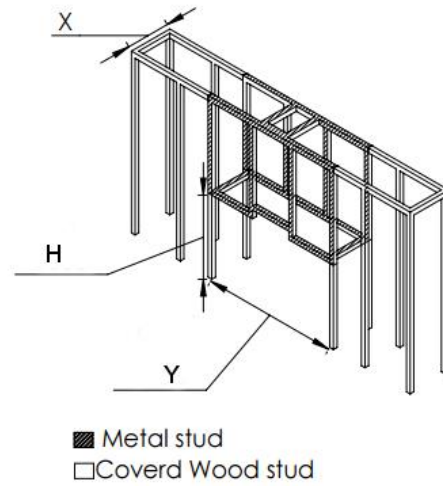
- All of the fireplace controls and gas components need to be installed in a weatherproof enclosure.
- The outdoor kit will tolerate moderate amounts of water on an occasional basis, but is not waterproof. The fireplace must be enclosed in a weatherproof enclosure covered in typical weatherproof material, such as siding/ stucco/stone/tile, etc. and have a weatherproof structure to shed water that extends horizontally beyond the front and side perimeter of the fireplace. Water running down vertical surfaces should be directed away from the fireplace using flashings. Measures must be taken to ensure any accumulated water drains away from the fireplace and structure. When the fireplace is installed on surfaces where water may collect or cause damage, a suitable drainage pan should be placed under the unit and the water drained away.
- Do not use the remote-controlled handset supplied with the appliance. The use of the thermostat on the remote may result in continued operation of the fireplace.
- Exposure to outdoor sun - Exposure to outdoor sun light will cause some painted finishes to fade over time. Fading is unavoidable and not covered under warranty. Minimize fading by installing the fireplace away from

direct sunlight.

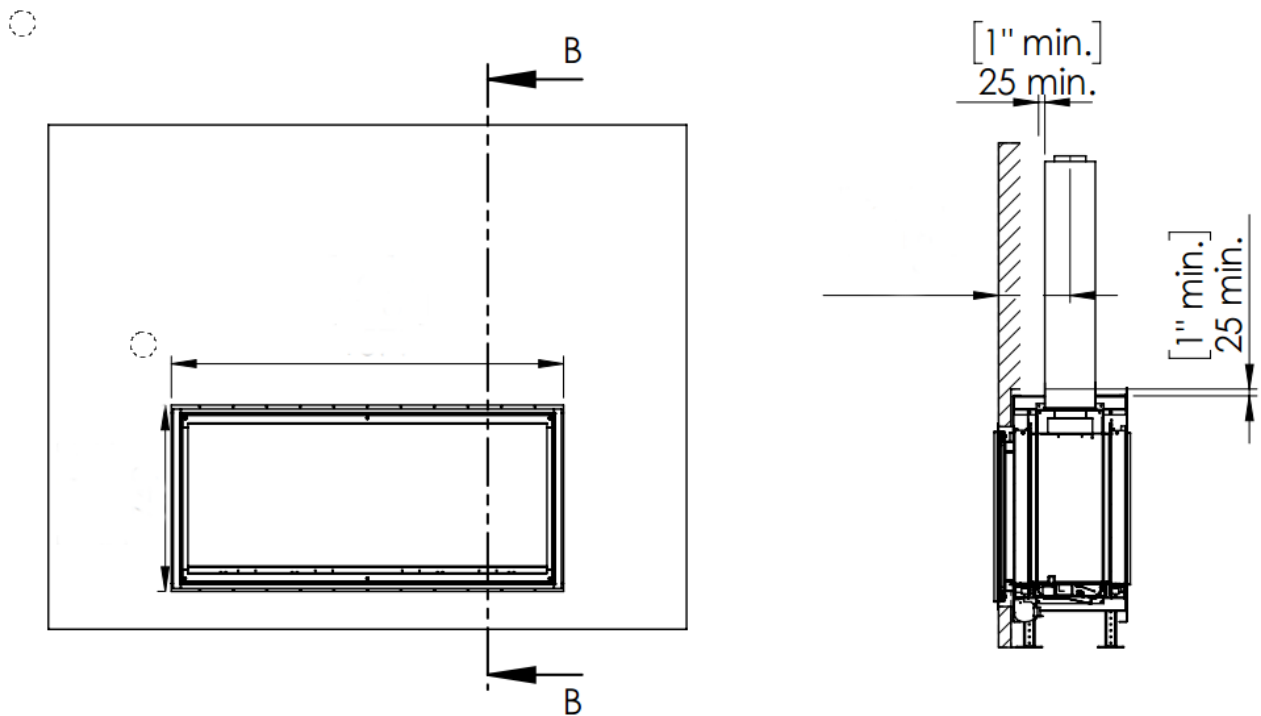


- Make sure the fireplace is fully turned off when attempting to clean the front of the fireplace (including pilot).
- Use the Flare architectural guide for information on the window size and opening:
- <http://flarefireplaces.com/portfolio-items/flare-outdoor/>

- All studs and surrounding should follow the fireplace clearances and non-combustible requirements.



- The outdoor window kit should be sealed with non-combustible tape prior to covering with brick or stucco.



PRODUCT DIMENSIONS & SPECIFICATIONS

For updated product dimensions and framing information, please use our webpage product page at Flarefireplaces.com.

BURNER DIMENSIONS

BURNER TYPE	SIZE (cm)	SIZE (in)	FIREPLACE SIZE	# OF BURNERS
A	35.6 cm	14"	25"	1
B	55 cm	21 11/16"	30"	1
C	80 cm	31 12/16"	45"	1
D	105 cm	40 1/16"	50"	1
E	125 cm (35 cm, 55 cm, 35 cm)	50 1/16" (14", 22", 14")	60"	3
F	150 cm (35 cm, 80 cm, 35 cm)	59 15/16" (14", 32", 14")	70"	3
G	175 cm (35 cm, 105 cm, 35cm)	68 4/16" (14", 40", 14")	80"	3
H	215 cm (55 cm, 105 cm, 55 cm)	84" (22", 40", 22")	100"	3

HOME AUTOMATION

The Flare Fireplace can be operated through an external source such as a smart home (home automation) system by using the 5-pin connector on the receiver.

The Flare Home Automation Cable (below) must be used between the Flare receiver and the home automation system. Position the home automation system so that the Flare Home Automation Cable can be connected directly.

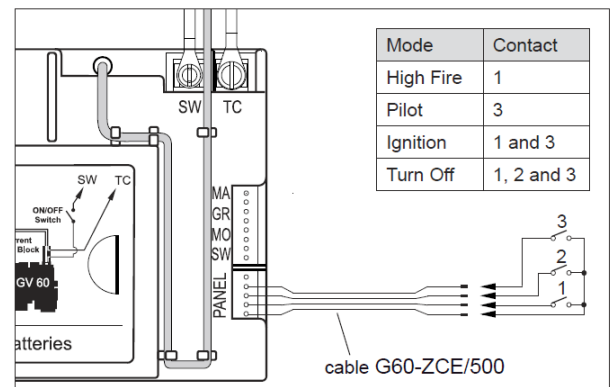
Do not extend or splice. The millivolt system will not work properly if the cable is extended or spliced.



Signal relays (gold contacts) or opto-couplers are recommended but not supplied. The Flare Home Automation Cable must be connected to the three smart home system contacts as shown below.

Operation

- To start ignition, close contacts 1 and 3 simultaneously for 1 second.
- To set the valve to High Fire, close contact 1.
- To set the valve to Pilot, close contact 3. In each case, the contacts need to be closed for 12 seconds to turn the motor from one end-stop to the other end stop.
- To set the valve to the Off position, close contacts 1, 2, and 3 simultaneously for 1 second.



Modes of operation

Mode 1 - the external source provides “ON” and “OFF” operation only. The remote-control handset provides all other functions.

Note: Even if the fire is switched on by the external source, the handset, in the thermostatic mode, controls the room temperature. The room temperature setting of the handset will remain the same for the next ON-cycle of the external source as long as the temperature setting in the handset has not been changed. If the handset is in manual mode, it will go to High Fire in the next cycle of external operation.

Mode 2 - The handset must be set to the manual mode if the external source is to control the room temperature. If the handset is placed in the thermostatic mode, it will override the external source.

ELECTRIC AND CONTROL

ELECTRIC DIAGRAM - SCREEN

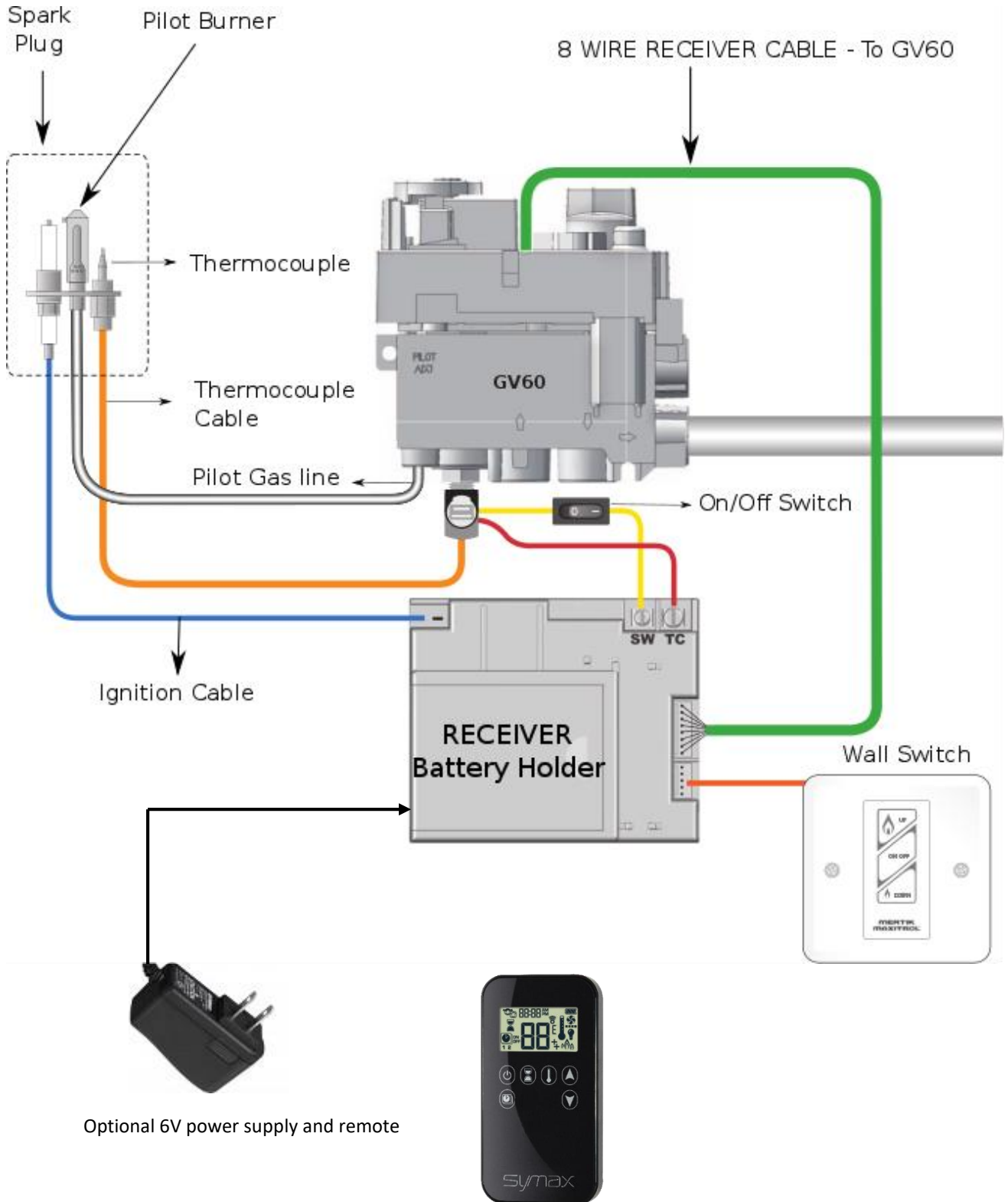
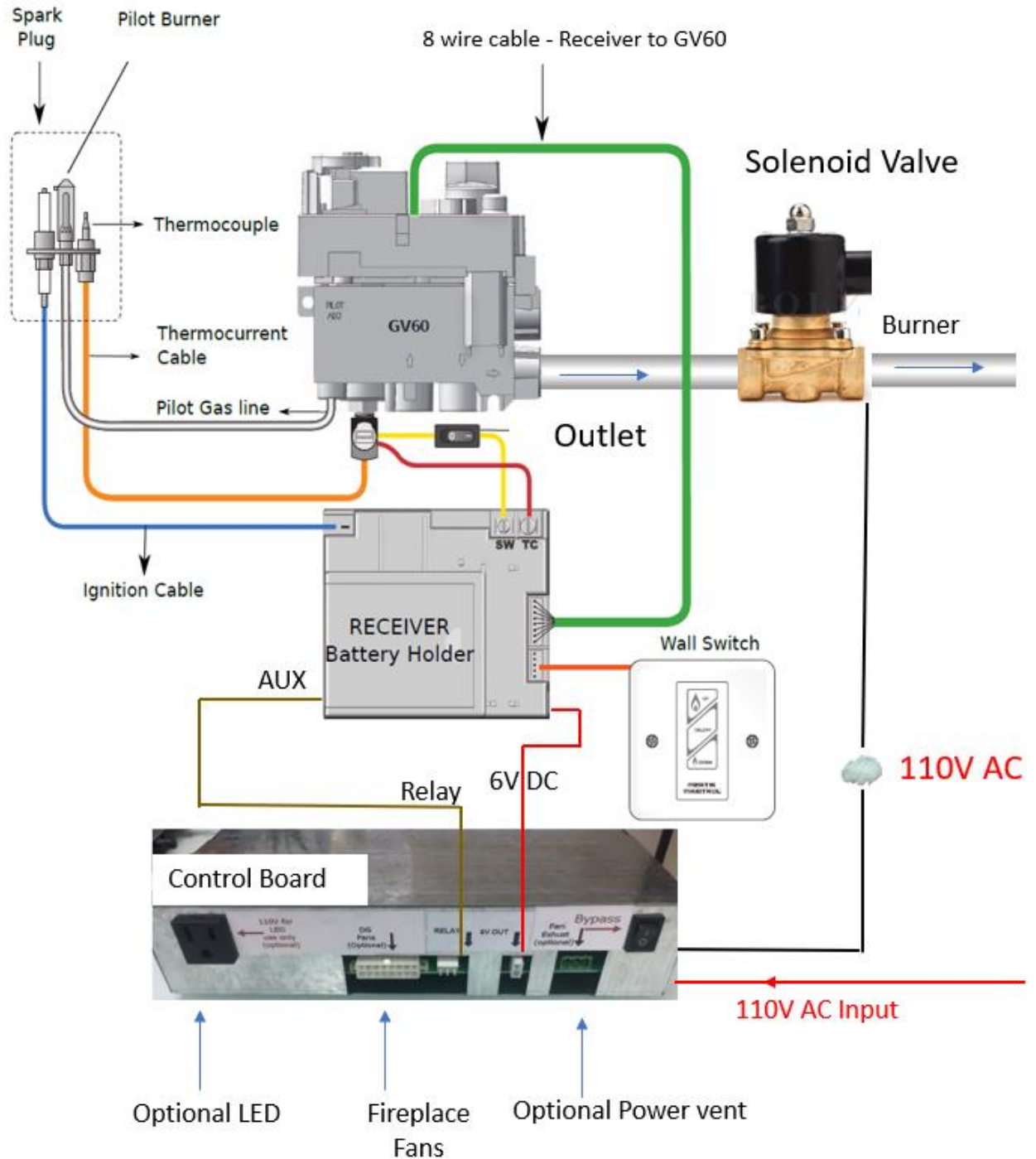
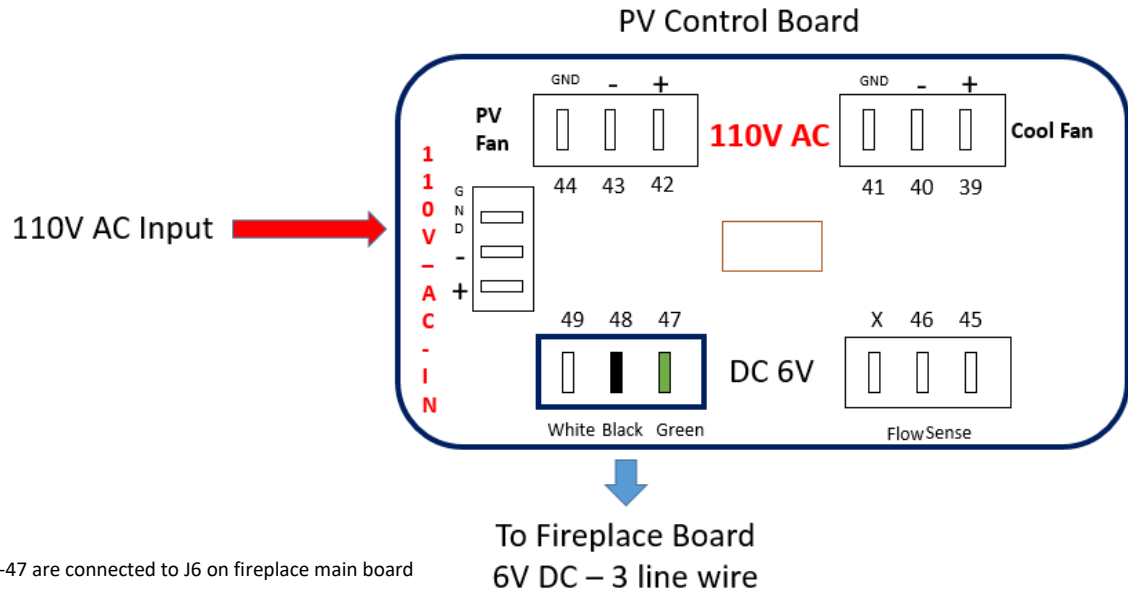


DIAGRAM – DOUBLE GLASS AND POWER VENT



ELECTRIC DIAGRAM – PV SYSTEM



REPLACEMENT PARTS

See below for flare replacement part list.

- Please contact your fireplace dealer in order to purchase any replacement part.
- Please make sure to provide the description and part number.
- Please make sure to use a certified installer for any service related to your fireplace.

Part Number	Part Name
2701671	Power Vent unit #20
2701672	Power Vent unit #20
2701673	Flow Fan size 1
2701674	Flow Fan size 2
2701675	INJECTOR LPG
2701676	INJECTOR NG
2701677	THERMOCOUPLE
2701678	PILOT
2701679	SPARK PLUG
2701680	PILOT GASKET
2701681	PILOT GAS CABLE
2701682	TC CONNECTOR
2701683	OLIVE D.4
2701684	NUT FOR OLIVE D.4
8108684	Gas Combination Control GV60
8108685	4mm Fitting
8108686	<u>Thermocurrent Interrupter</u>
8108687	Plug, 3/8"
8108688	Cable Interrupter-Receiver
8108689	Ignition cable 1.5m
8108690	Solenoid Valve
8108691	Wall Switch
8108692	110V Adapter
8108693	8-wire Cable, 500mm
8108694	Receiver
8108695	<u>Handset, Thermostat, 6-button</u>
8108696	<u>Handset, Thermostat, 8-button</u>

Part Number	Part Name
8108697	Switch with cable
8108698	Battery Holder
8108699	Limit switch
8108700	Gas connector 60"
8108701	Gas connector 36"
8108702	4x6 vent adapter
8108703	5x8 vent adapter
8108702	3x5 vent adapter
8108701	Burner A
8108700	Burner B
8108699	Burner C
8108698	Burner D
8108697	Burner E
8108696	Burner F
8108695	Burner G

MAINTENANCE

WARNING!

- It is recommended that a qualified service technician perform a routine inspection at the beginning of each heating season.
- Disconnect power before attempting maintenance or repair of the fireplace.
- Installation and maintenance must be performed by an authorized qualified installer, service agency or gas supplier.
- Any safety screen or guard removed for servicing placed back before operating this appliance.
- DO NOT USE this appliance if any part has been under water. Immediately call a qualified service technician to inspect the unit and to replace any part of the control system and any gas valve that has been under water or impacted.
- Any alteration to the product that causes soot or carbon to form and results in damage is not the responsibility of the manufacturer.
- Do not modify or substitute any part of this appliance.
- Inspect the external vent cap on a regular basis to make sure that no debris, plants, trees, or shrubs are interfering with the air flow.
- Do not operate the fireplace without the fireplace glass.
- It is imperative that control compartments, screens, or fans system for double glass be kept clean and free of obstructions. These areas provide the air necessary for safe operation.
- Light the heater using the built-in igniter. Do not use matches or any other external device to light your heater.
- Never remove, replace, modify or substitute any part of the heater unless instructions are given in this manual. All other work must be done by a trained technician. Do not modify or replace orifices.

Yearly Service – Residential (Semiyearly for commercial applications)

Failure to inspect and maintain the fireplace may lead to improper combustion and a potentially dangerous situation. We recommend the following procedures be done by a qualified technician.

Unit Maintenance

- Check all accessible gas-carrying tubes, connections, pipes and other components for leaks.
- Inspect and operate the pressure relief mechanism to verify relief mechanisms are free from obstruction to operate.
- Inspect primary air openings for blockage.
- Vacuum and clean any debris in the firebox that is not supposed to be there.

Glass Maintenance

- Always use suction cups to remove the fireplace glass. Use the manual procedure for instruction on how to remove the fireplace glass. Always use gloves when removing the glass to protect your hand and prevent finger prints on the glass.

- Clean glass window with a suitable fireplace glass cleaner. Abrasive cleaners must not be used. Be careful not to scratch the glass when cleaning
- Do not use normal household (usually ammonia-based) glass cleaners to clean the glass as these cleaners can leave a permanent stain. Only a gas fireplace glass cleaner should be used.
- Verify no cracks or breakage in the glass.
- Place glass in a safe location to prevent breakage.
- Never attempt to operate the fireplace without the fireplace glass.

Pilot Maintenance

- Visually inspect the pilot flame. The pilot flame should be always present when the fireplace is in operation.
- Make sure the pilot flame has two flame tips pointing to the flame sensor (thermocouple) and to the center of the burner.
- Make sure the pilot area is clean from any dust, media or any other debris that may disrupt the operation of the ignition system. Lint or foreign material must be removed with a brush or vacuum.
- Verify fireplace ignition using the remote or wall switch. Verify electronic ignition, sparking sequence, pilot operation and burner ignition.
- Inspect the operation of the flame safety system Pilot or Flame rectification device.
- Inspect and ensure the lighting of the main burner occurs within 4 seconds of the main gas valve opening. Visual inspection should match that outlined in the appliance instruction manual.
- Test and measure the flame failure response time of the flame safety system. It must de-energize the safety shutoff in no more than 30 seconds.

Burner Maintenance

- The flames from the burner should be visually checked. The flame should have a blue base and yellow tops and be candle-like in appearance.
- If excessive soot is found inside the firebox area, the fireplace will require adjustment. Verify the air shutter and vent restrictor setting and document any changes.
- If the flame becomes sooty, dark orange in color, or extremely tall, do not operate the heater.
- Measure gas pressure. Inlet _____ W.C., Outlet _____ W.C.

Vent Maintenance

The following venting system inspection by a qualified service technician is recommended every six months:

- Inspect for excessive condensation, e.g. water droplets forming in the inner lining and subsequently dripping out of the joints. This can cause corrosion in the system.
- Check for corrosion in areas exposed to the elements. Where rust spots or holes have appeared, these must be immediately replaced.
- Ensure that there is no foreign material in the vents. Survey by removing the cap and shining a light down the vent.
- Check all joints and pipes to make sure that nothing has been disturbed or loosened.
- Inspect condition of vent and vent terminal for sooting or obstruction and correct if present.

Double Glass Fans

- Disconnect power to the Flare control system.
- Remove the external glass and the covering trim.
- Inspect the fans around the Flare firebox and make sure they are all turning.

- Clean all fans with a brush and vacuum to remove any dust or debris.
- Inspect the lower fireplace intake. Clean the lower vent intake with a brush and vacuum any dust or debris.
- Connect back the Flare control power and press the Flare remote arrow down. Make sure all fans are working properly.
- Turn off the fans and install back the trim and glass.

APPENDIX

MAINTENANCE LOG

Flare Fireplaces – Maintenance log

The following document should be used by the service technician. A copy should be kept with the technician and owner for future reference

Service Date: _____

Unit Information

Model Type and Size: _____

Serial #: _____

Owner Information

Name: _____

Address _____

Technician Information

Name: _____

Company Name _____

Technician NPI # _____

Service Information

Yearly Maintenance: _____

Other: _____

Details: _____

WARRANTY POLICY

Flare Fireplaces take extreme measures to assure all products are tested and verified and are free from defects prior to leaving our warehouse.

Our Factory is subject to high quality standard and is under the supervision of the CSA organization.

Flare Fireplaces Warranty information:

- 1 year Limited Warranty on the gas valve, remote, pilot burner assembly, electric components and fan motors, interior decorative media.
- 5 year Limited Warranty for Ceramic glass (thermal breakage only)
- 10 year Limited warranty on the firebox and burners

Flare warranty shall be effective only if the original purchaser of the fireplace appliance is registered with Flare Fireplaces within thirty days of the date of purchase.

Minor warping of certain parts or discoloration is normal and is not considered a defect that is covered by this warranty. Major disruption and buckling of parts can be caused by over-firing of your Fireplace. Over-firing above rated value specified in the manual is contrary to the manufacturer's instructions and may void this warranty.

All installations must be performed by a qualified technician in accordance with applicable local and national requirements.

Installations must be done in accordance with the appliance manual. The Limited Warranty applies only if the product is installed in the United States or Canada and only if installed, operated and maintained in accordance the attached product manual.

Warranty coverage begins on the date of original purchase.

It is the responsibility of the installer to ensure the appliance is firing as per the rating plate.

Any part that is found in our judgment to be defective shall be repaired, replaced or refunded at Flare Fireplaces option.

This warranty only covers Flare Fireplaces appliances that are purchased through a Flare Fireplace authorized dealer or distributor.

The warranty is only valid while the Flare Fireplace appliance remains at the site of original installation.

Contact your installing dealer for warranty service. If the installing dealer is unable to provide necessary parts, contact the nearest Flare Fireplaces authorized dealer or supplier.

This warranty is void if:

Use of an unauthorized type of media in the firebox.

The appliance has been over-fired or operated in atmospheres contaminated by chlorine, fluorine, or other damaging chemicals. Over-firing can be identified by, but not limited to, warped plates or tubes, rust colored cast iron, bubbling, cracking and discoloration of steel or enamel finishes.

The appliance is subjected to prolonged periods of dampness or condensation.

There is any damage to the appliance or other components due to water or weather damage which is the result of, but not limited to, improper chimney or venting installation.

Holes have been drilled in to the fireplace for any reason.

Exclusions:

This warranty does not apply to any component that shows evidence of misuse, abuse, improper installation, accident or lack of maintenance.

Flare Fireplaces is not responsible for televisions, mantles, surrounds or finishing material around the fireplace.

Flare Fireplaces may at its discretion discharge all obligations by refunding the wholesale price of the defective part. The Limited Warranty covers only parts and labor as provided above. Flare Fireplaces will not be responsible for materials, components or construction, which are not manufactured or supplied by Flare Fireplaces or for the labor necessary to install, repair or remove such materials, components or construction.