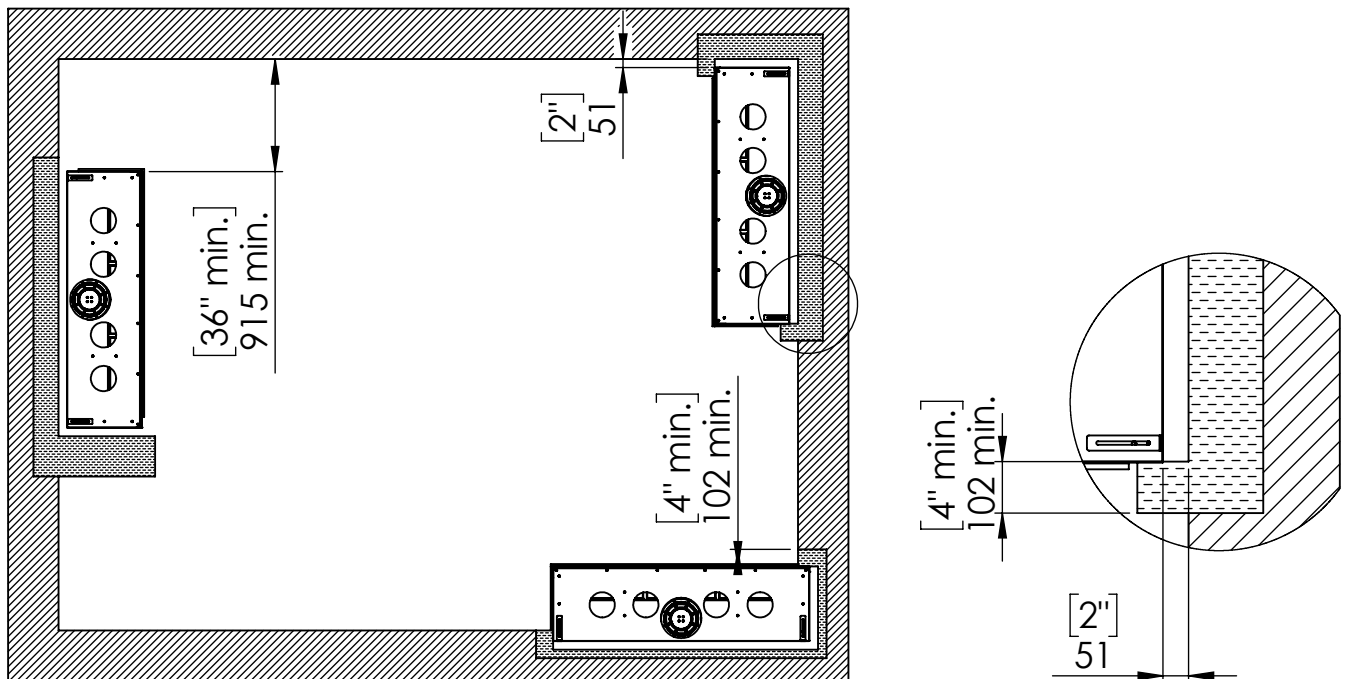




Specifications for Appliance Flare Right Corner 30

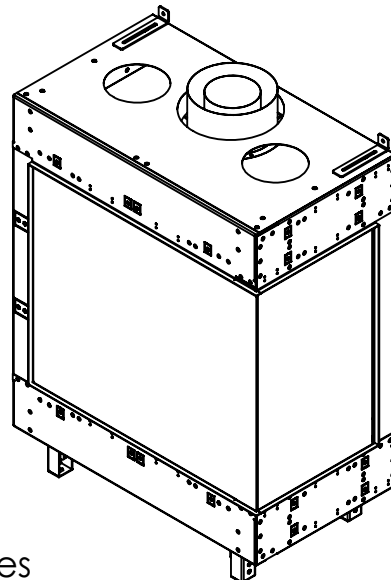
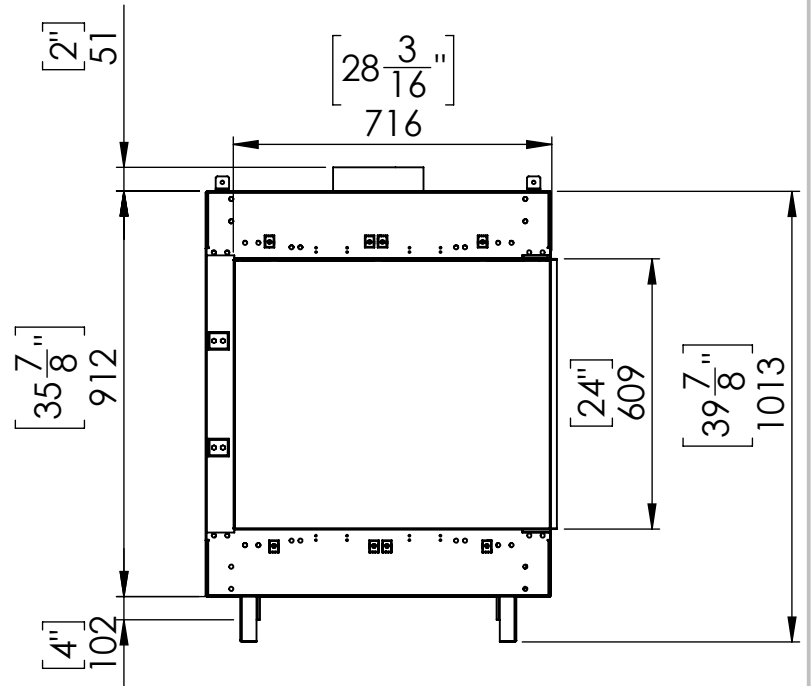
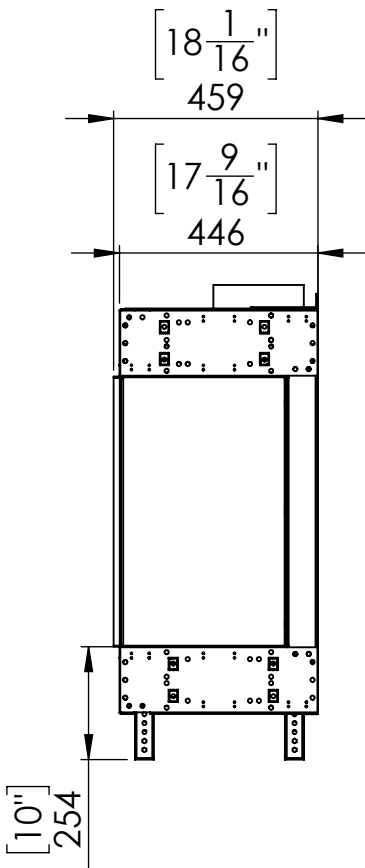
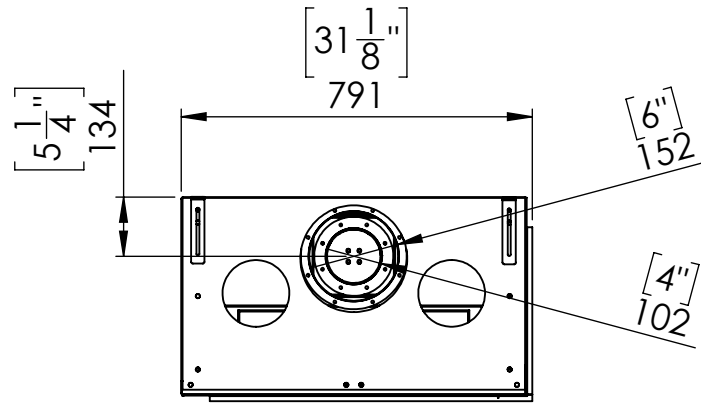
Factor	NG	LPG
Burner Type	55	55
Orifice	650	260
BTU Max.	34000	18500
BTU min.	26200	16000
Kw/h	10k	7.7k
Chimney DIA.	4X6	4X6
Manifold Pressure[w.c]	6.4	10.6
Efficiency rate	79	81
Glass Size Length\Width	770.5 X 620 mm	30 5/16" X 24 7/16"
Appliance Weigh	110Kg	240lb

Appliance Location



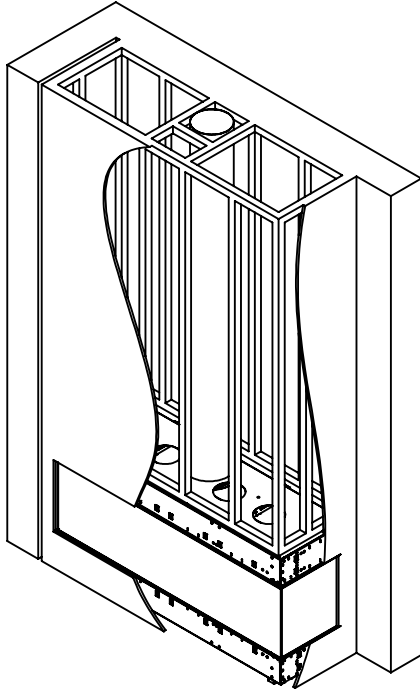
 Combustible Materials
 Non Combustible Materials

FLARE Right Corner 30

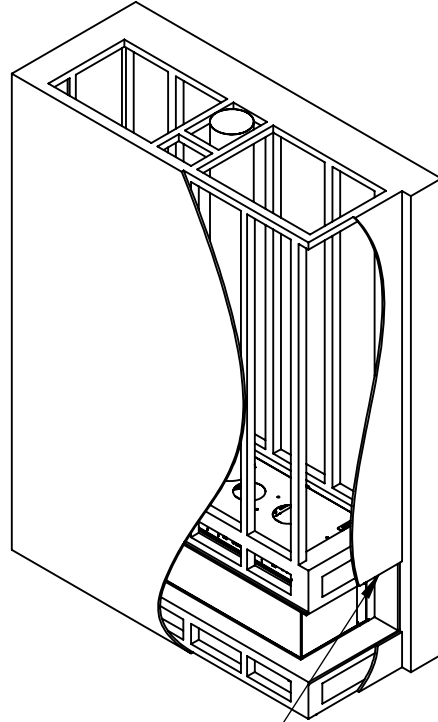


Telescopic leg ranges
(from bottom of glass): 10"-19"

Flat Installation

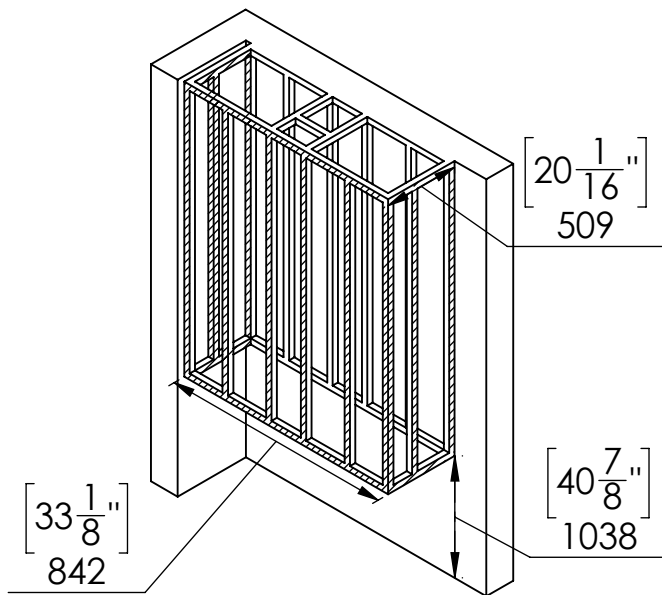


Recess Installation



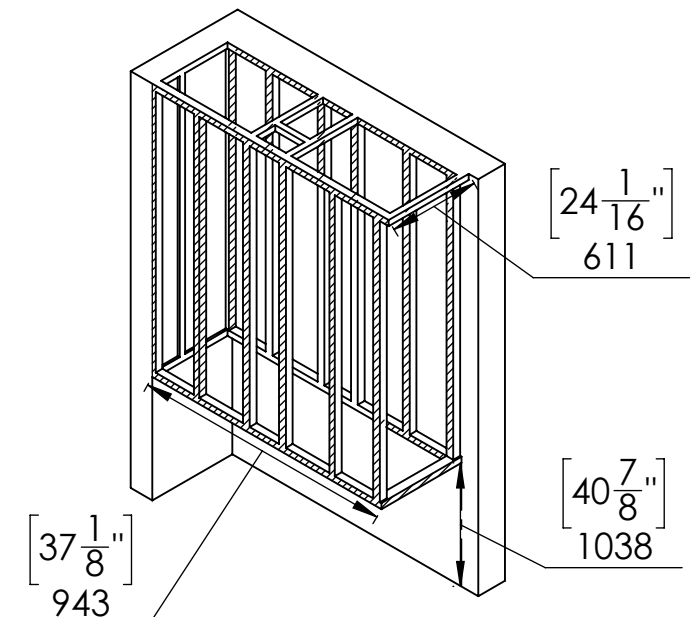
Top of Recess
4" max

Step 1 - Basic Framing :



 Metal Stud

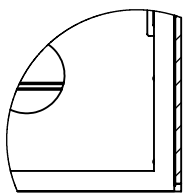
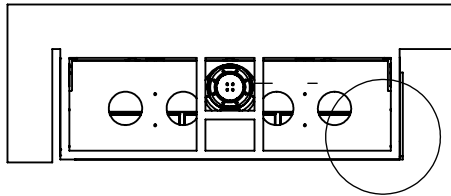
Step 1 - Basic Framing :



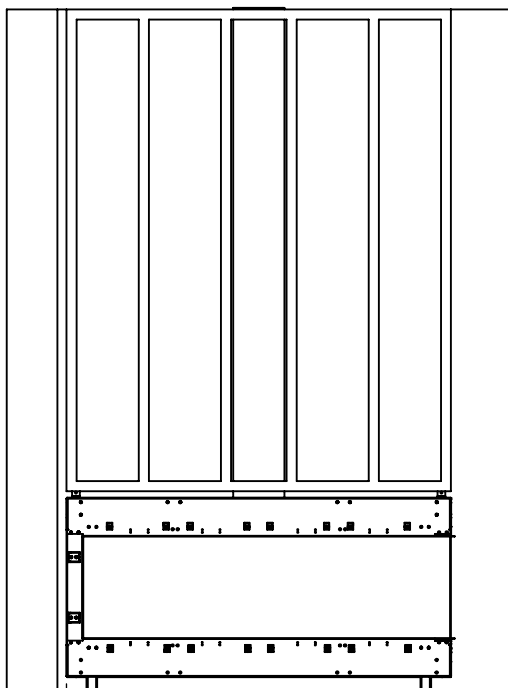
 Metal Stud

Flat Installation

Step 2 -Positioning the Fireplace:



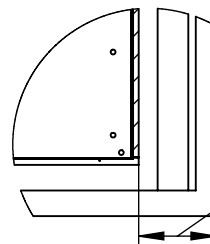
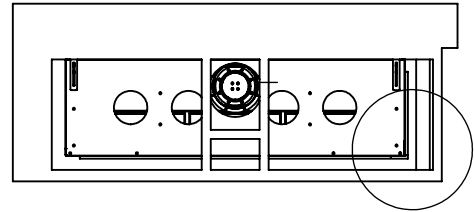
Fireplace frame finishing holder space to match wall finishing thickness



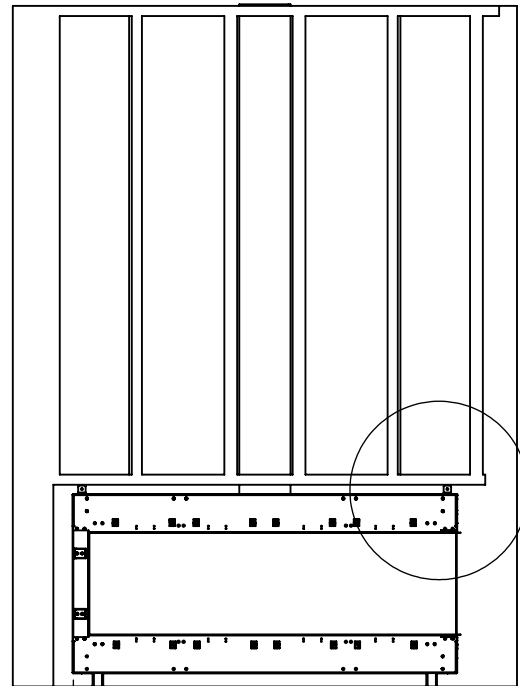
$2\frac{1}{2}"$
63

Recess Installation

Step 2 -Positioning the Fireplace:



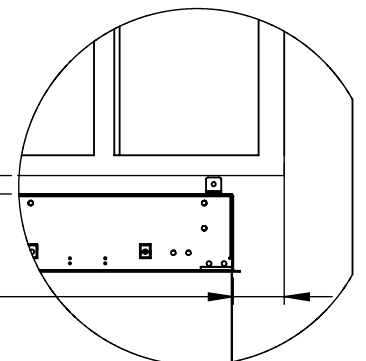
[4"] gap to match the max. length of top shelf.
102



$2\frac{1}{2}"$
63

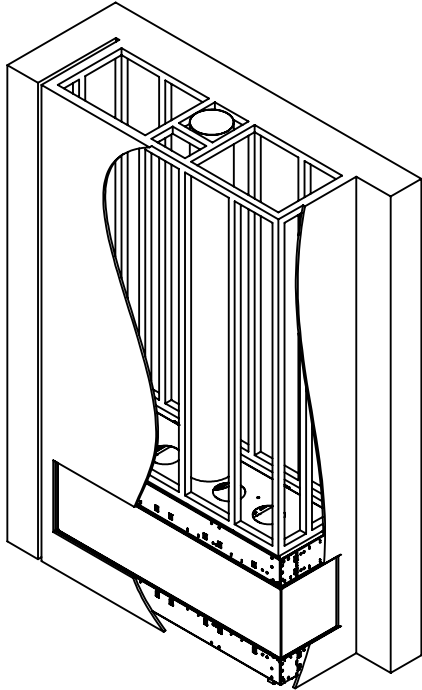
[2"]
51

[4" max.]
102 max.



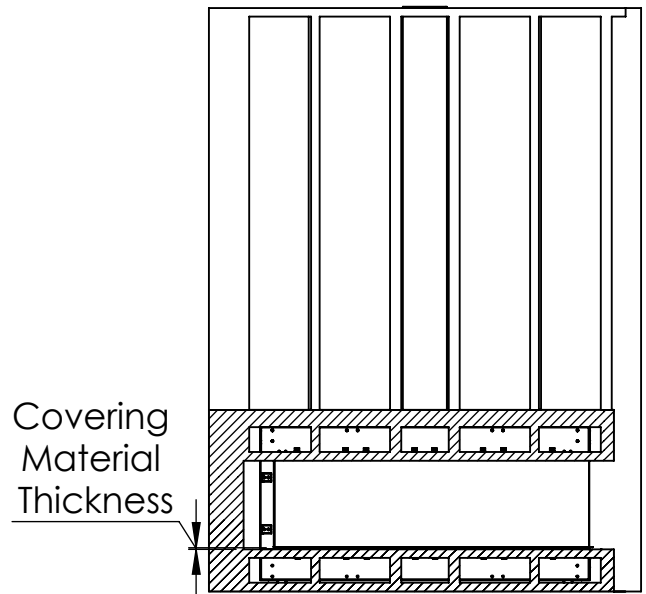
Flat Installation

Last Step - Finishing The Fireplace Wall:



Recess Installation

Step 3 - Framing Front Studs For Recess
After positioning the Fireplace:



Last Step - Finishing The Fireplace Wall:

