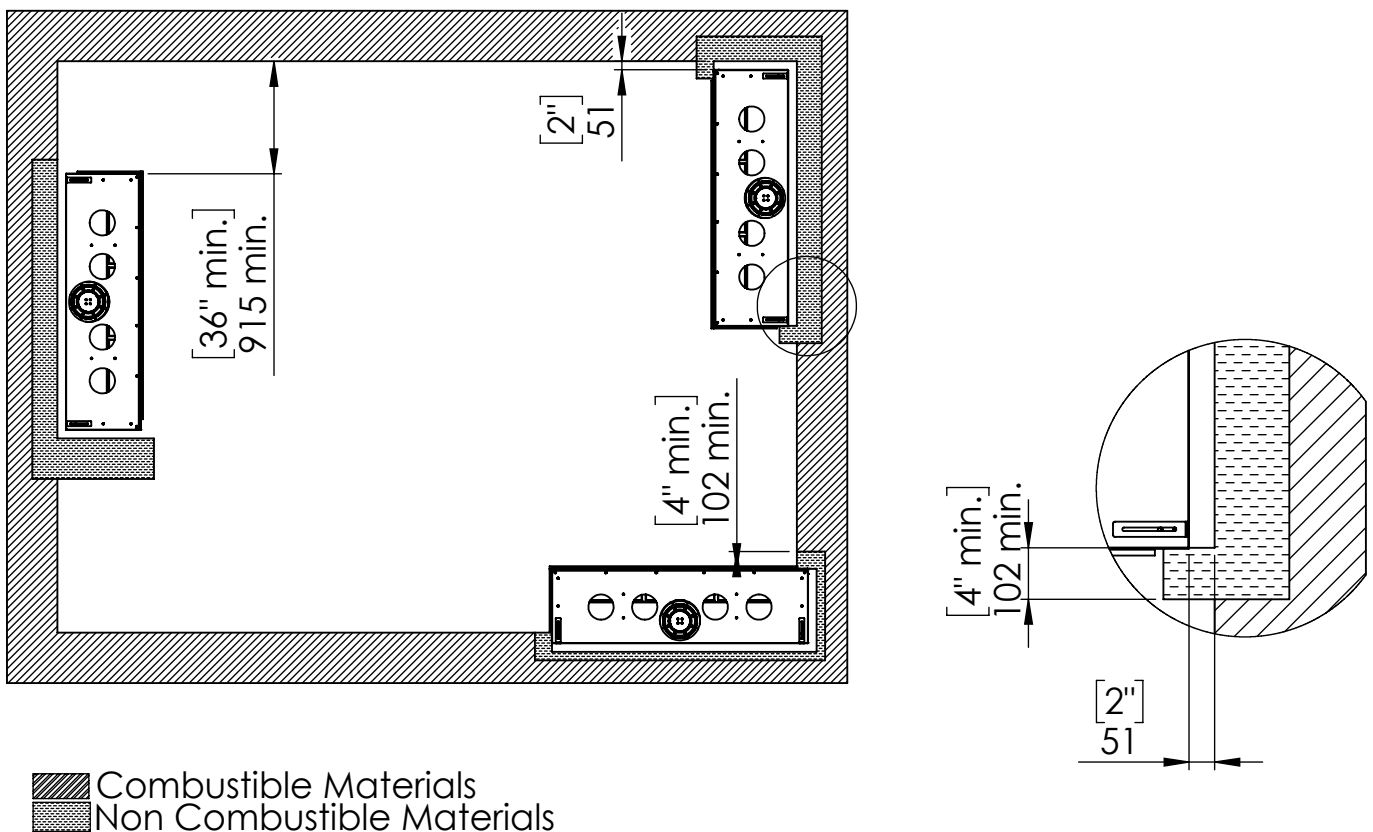


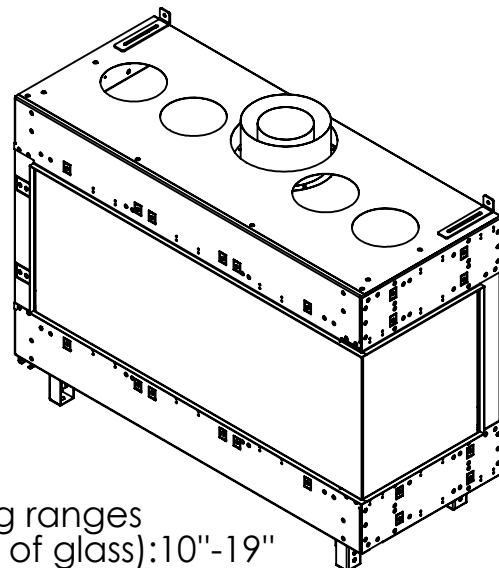
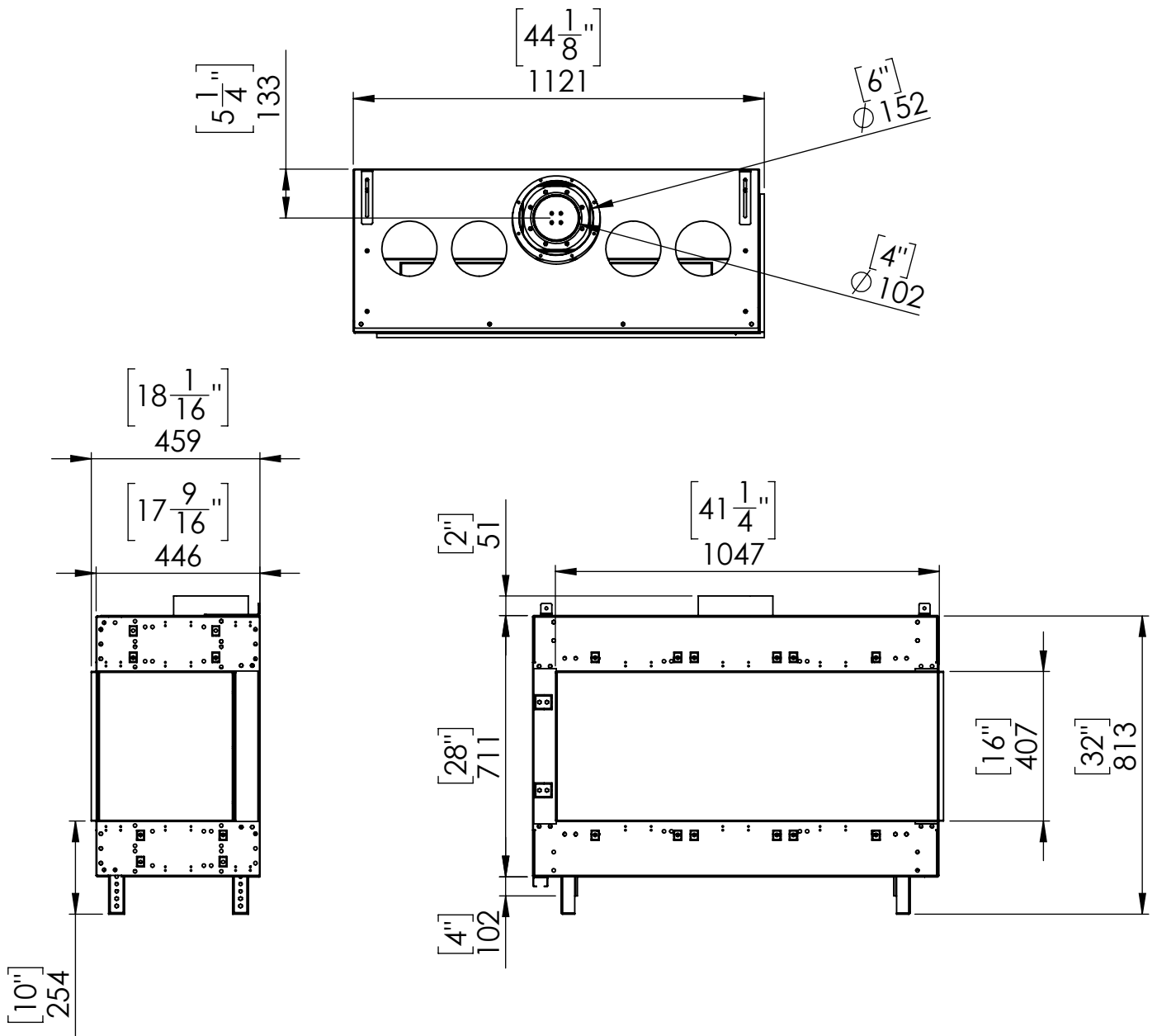


Specifications for Appliance Flare Right Corner 45

Factor	NG	LPG
Burner Type	80	80
Orifice	1000	260
BTU Max.	36800	26300
BTU min.	22000	17750
Kw/h	10.8k	7.7k
Chimney DIA.	4x6	4x6
Manifold Pressure[w.c]	4.7	10.4
Efficiency rate	78	82
Glass Size Length\Width	1100.5 X 423 mm	43" 5/16 X 16" 9/16'
Appliance Weigh	120Kg	265lb

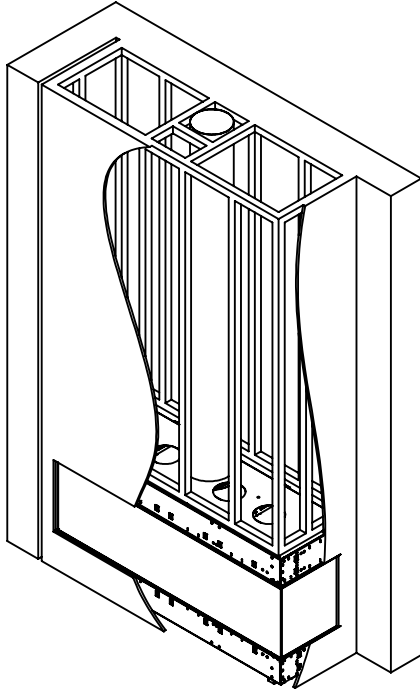
Appliance Location



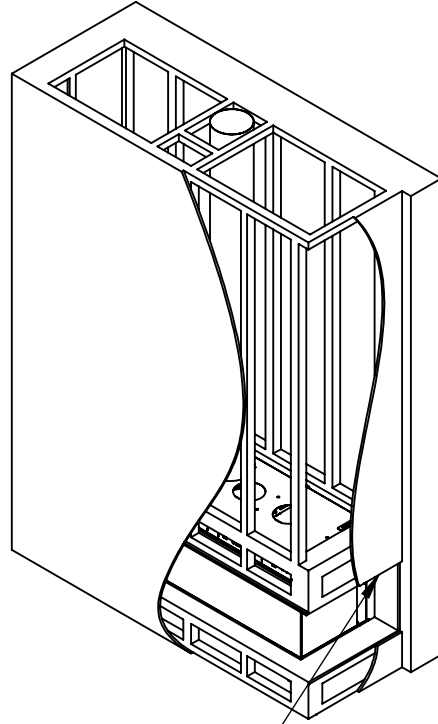


Telescopic leg ranges
(from bottom of glass): 10"-19"

Flat Installation

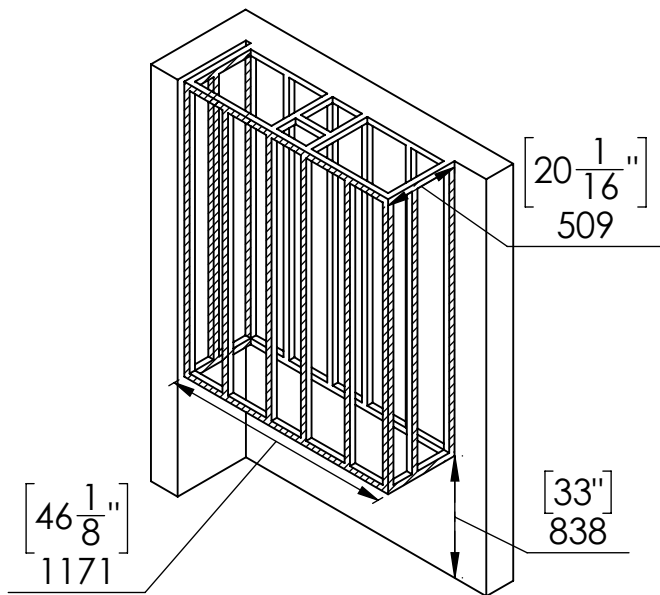


Recess Installation



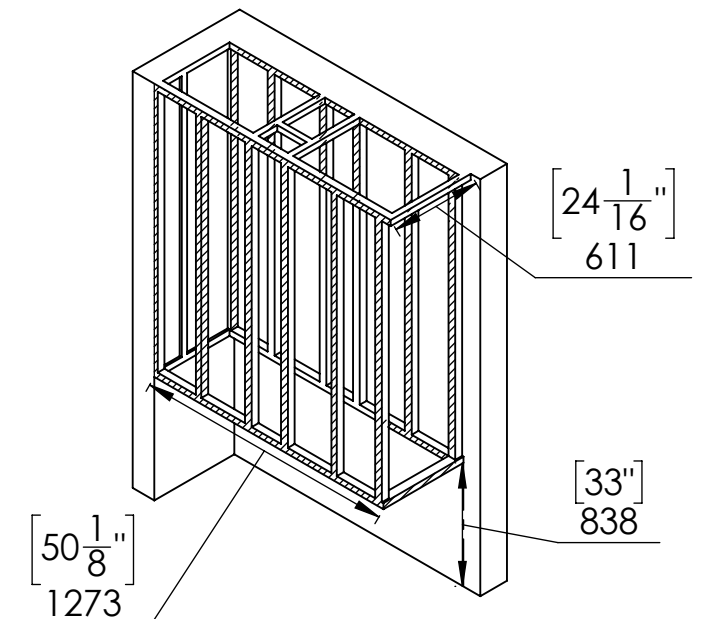
Top of Recess
4" max

Step 1 - Basic Framing :



 Metal Stud

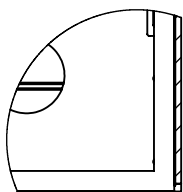
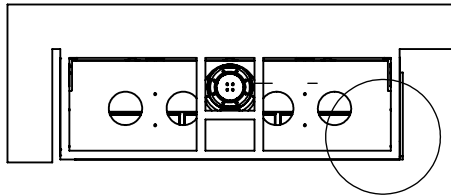
Step 1 - Basic Framing :



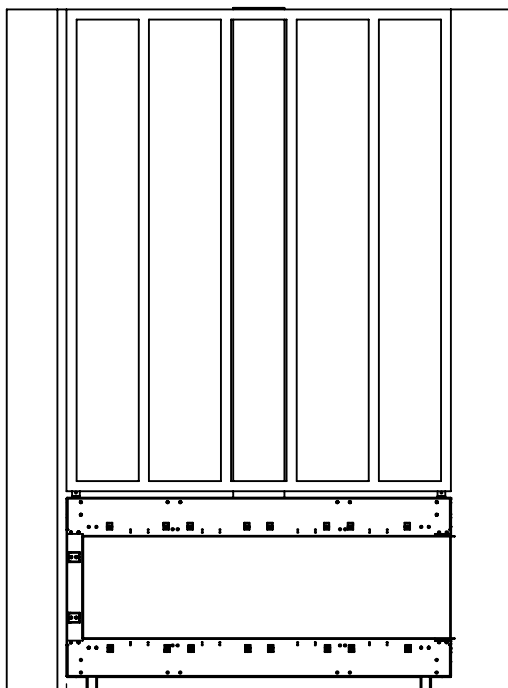
 Metal Stud

Flat Installation

Step 2 -Positioning the Fireplace:



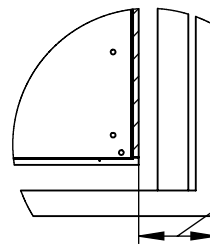
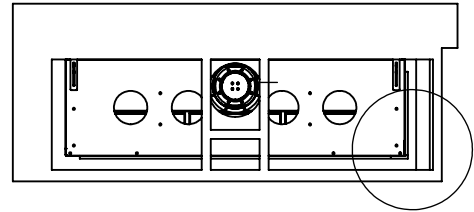
Fireplace frame finishing holder space to match wall finishing thickness



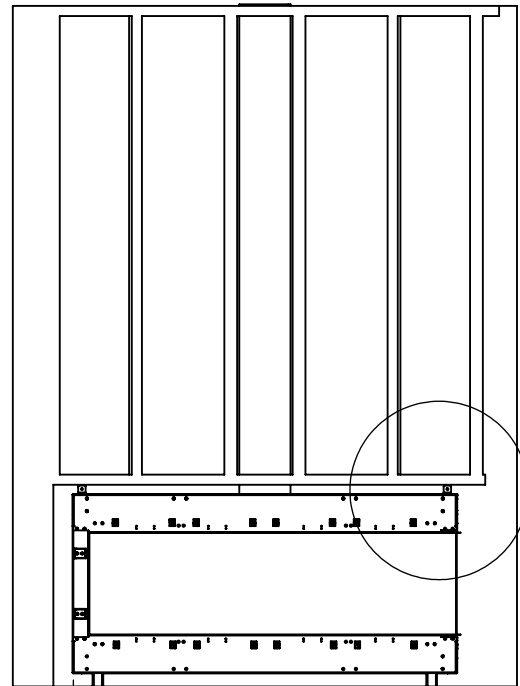
$2\frac{1}{2}"$
63

Recess Installation

Step 2 -Positioning the Fireplace:



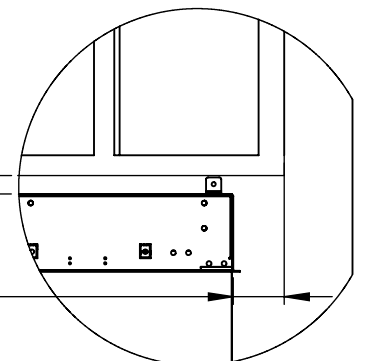
[4"] gap to match the max. length of top shelf.
102



$2\frac{1}{2}"$
63

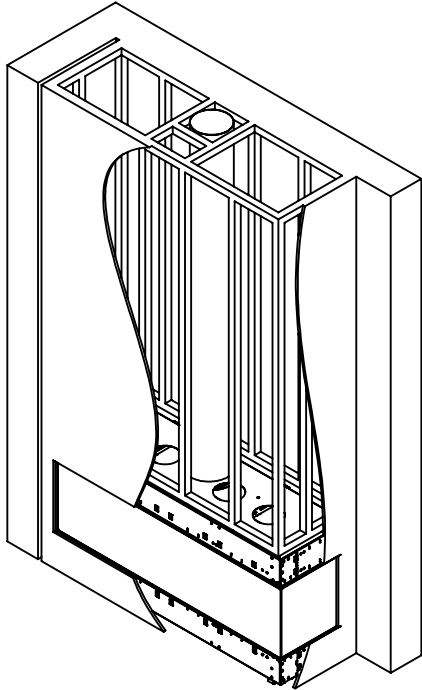
[2"]
51

[4" max.]
102 max.



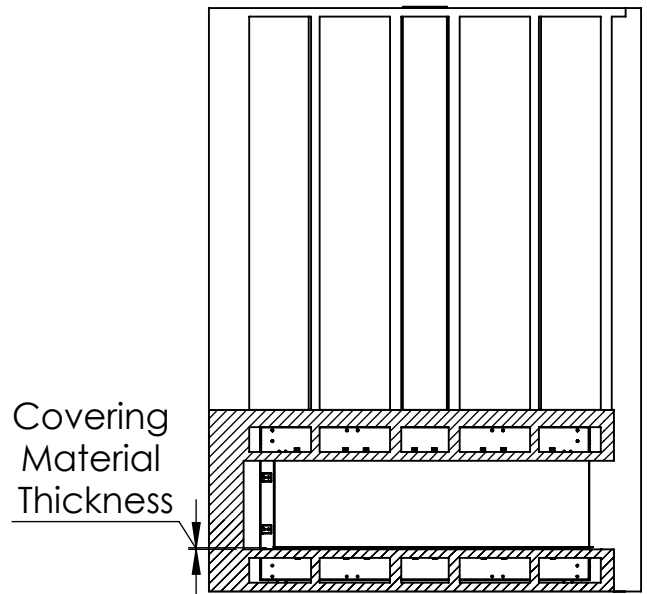
Flat Installation

Last Step - Finishing The Fireplace Wall:



Recess Installation

Step 3 - Framing Front Studs For Recess
After positioning the Fireplace:



Last Step - Finishing The Fireplace Wall:

