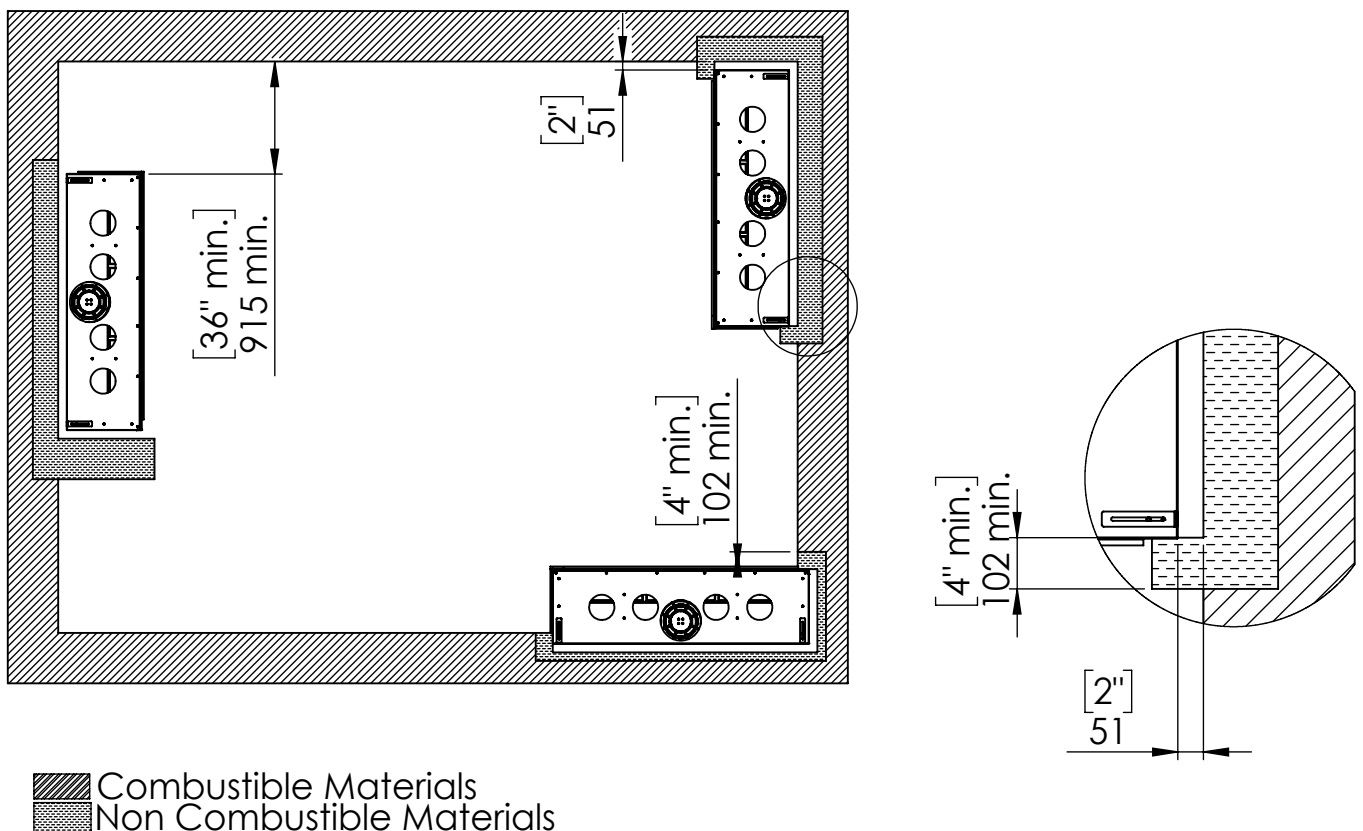


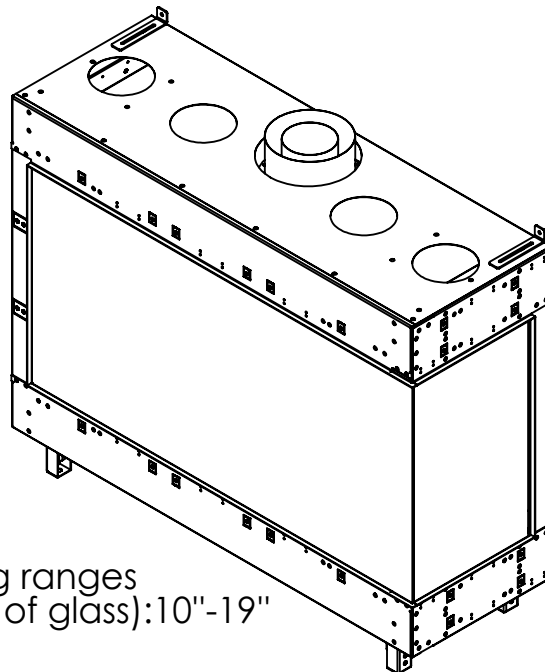
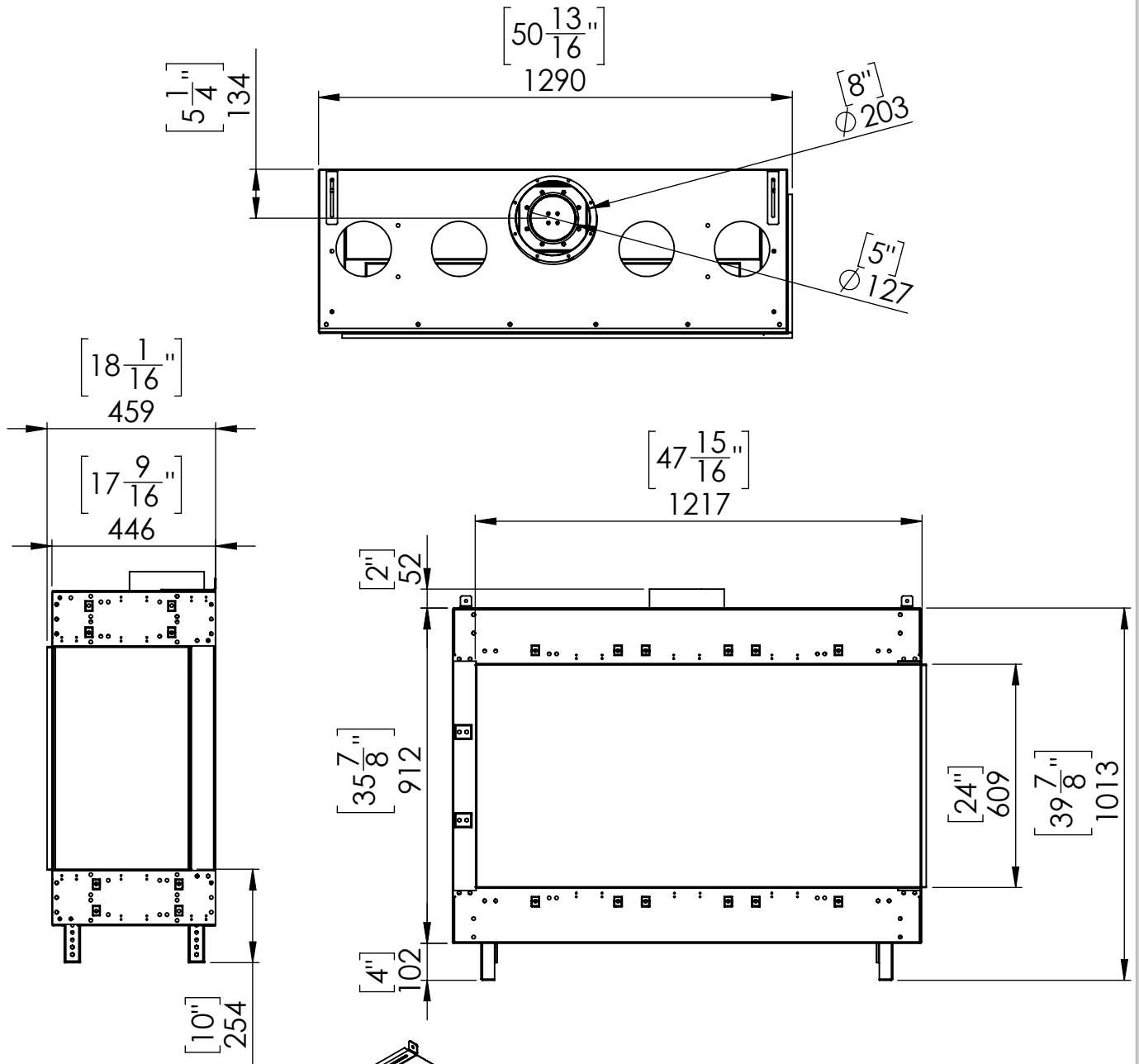


# Specifications for Appliance Flare Right Corner 50H

Factor	NG	LPG
Burner Type	105	105
Orifice	1200	320
BTU Max.	47000	35100
BTU min.	22750	18500
Kw/h	13.8k	10.2k
Chimney DIA.	5X8	5X8
Manifold Pressure[w.c]	4.9	10.4
Efficiency rate	78	82
Glass Size Length\Width	1270.5 X 620 mm	50" X 24" 7/16'
Appliance Weigh	155Kg	340lb

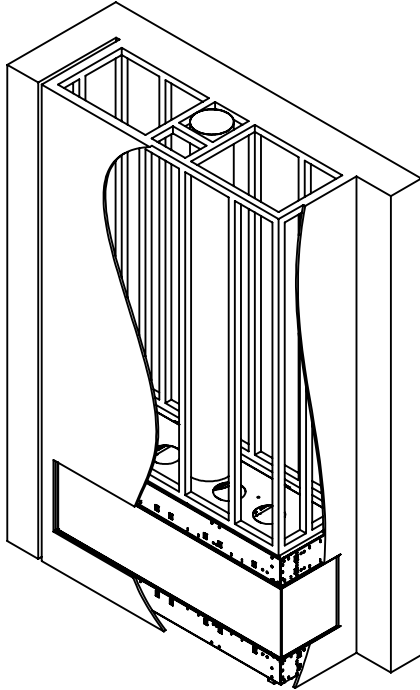
## Appliance Location



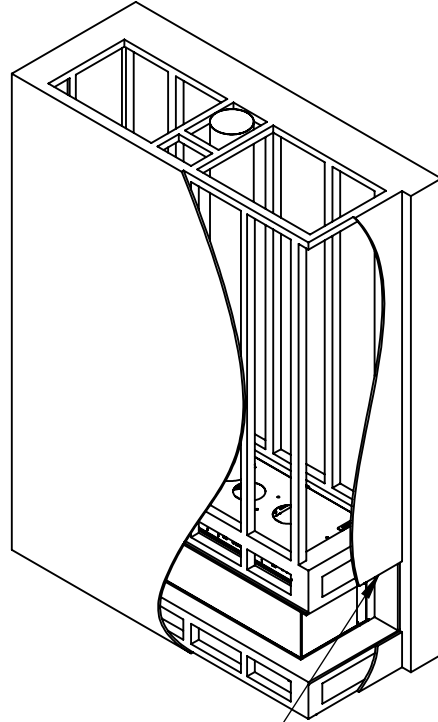


Telescopic leg ranges  
(from bottom of glass): 10"-19"

## Flat Installation



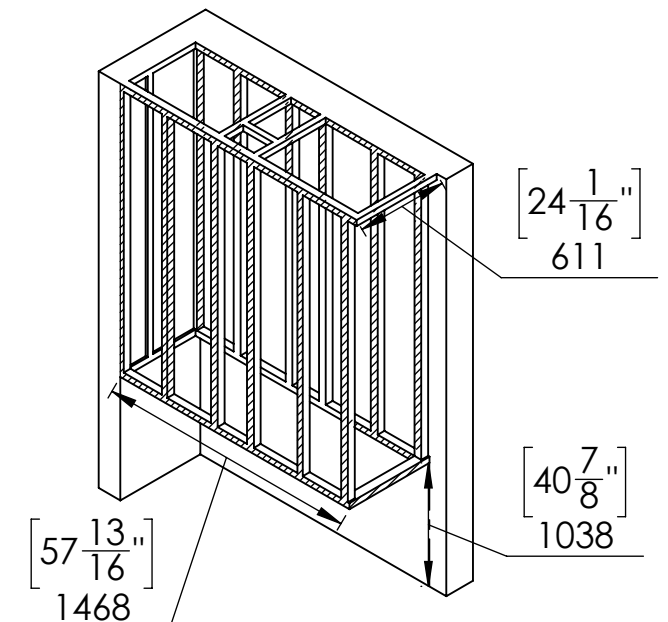
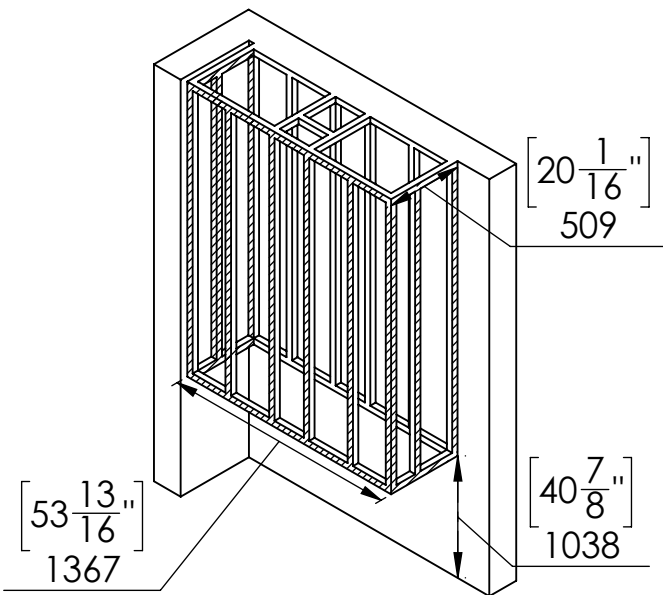
## Recess Installation



Top of Recess  
4" max

### Step 1 - Basic Framing :

### Step 1 - Basic Framing :

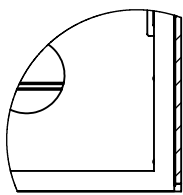
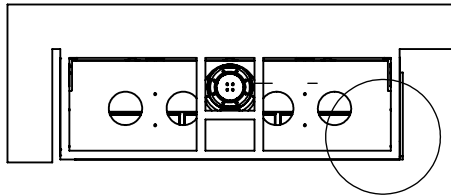


 Metal Stud

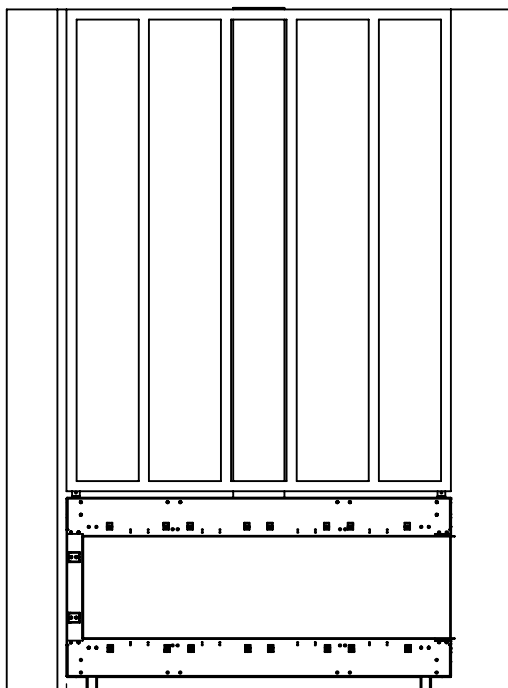
 Metal Stud

## Flat Installation

Step 2 -Positioning the Fireplace:



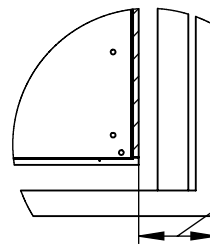
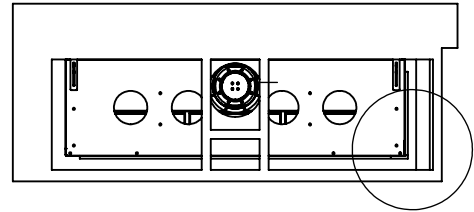
Fireplace frame finishing holder space to match wall finishing thickness



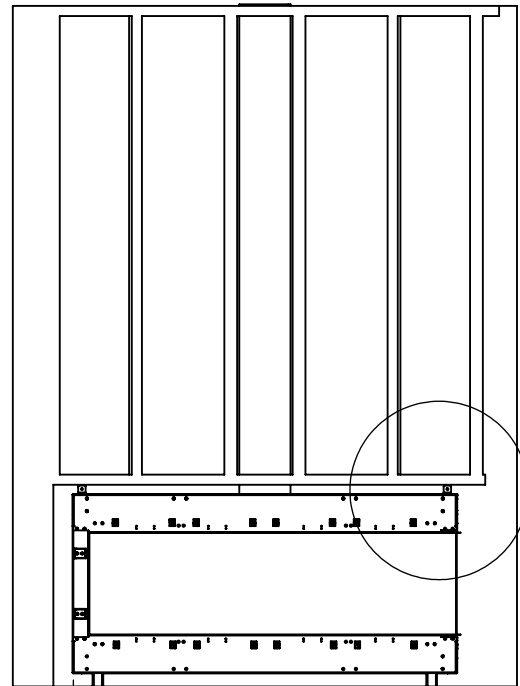
$2\frac{1}{2}"$   
63

## Recess Installation

Step 2 -Positioning the Fireplace:



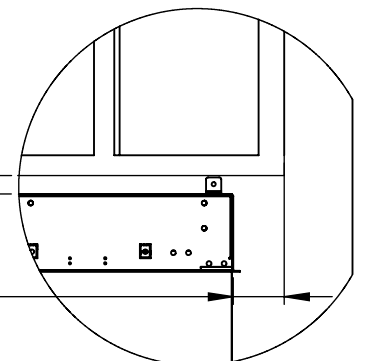
$4"$  gap to match the max. length of top shelf.  
102



$2\frac{1}{2}"$   
63

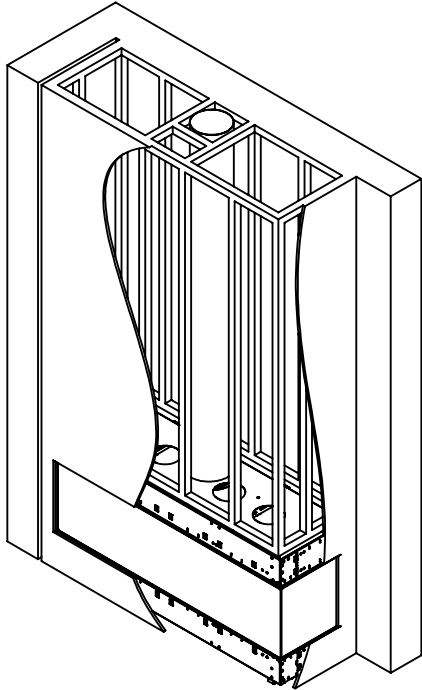
$2"$   
51

$4" \text{ max.}$   
 $102 \text{ max.}$



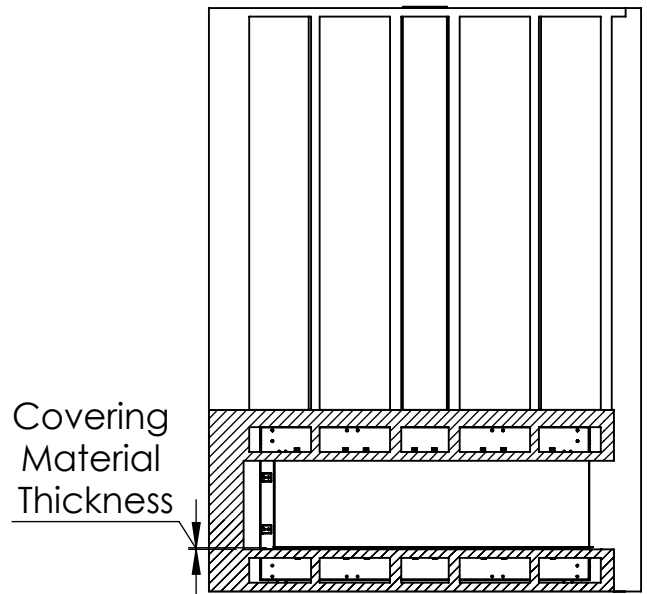
## Flat Installation

Last Step - Finishing The Fireplace Wall:



## Recess Installation

Step 3 - Framing Front Studs For Recess  
After positioning the Fireplace:



Last Step - Finishing The Fireplace Wall:

