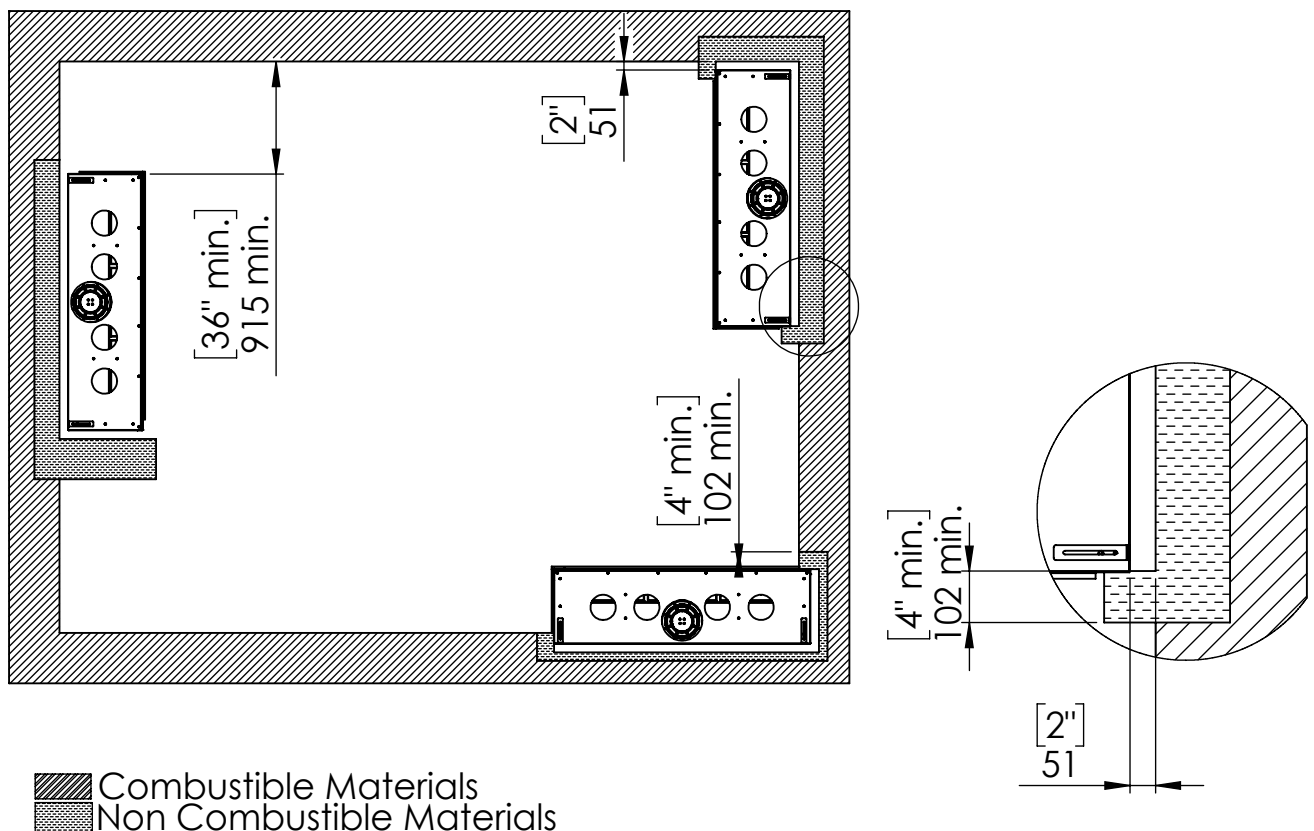


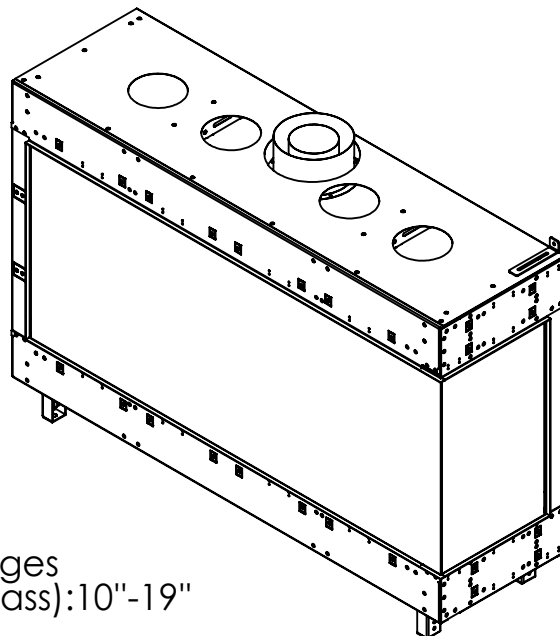
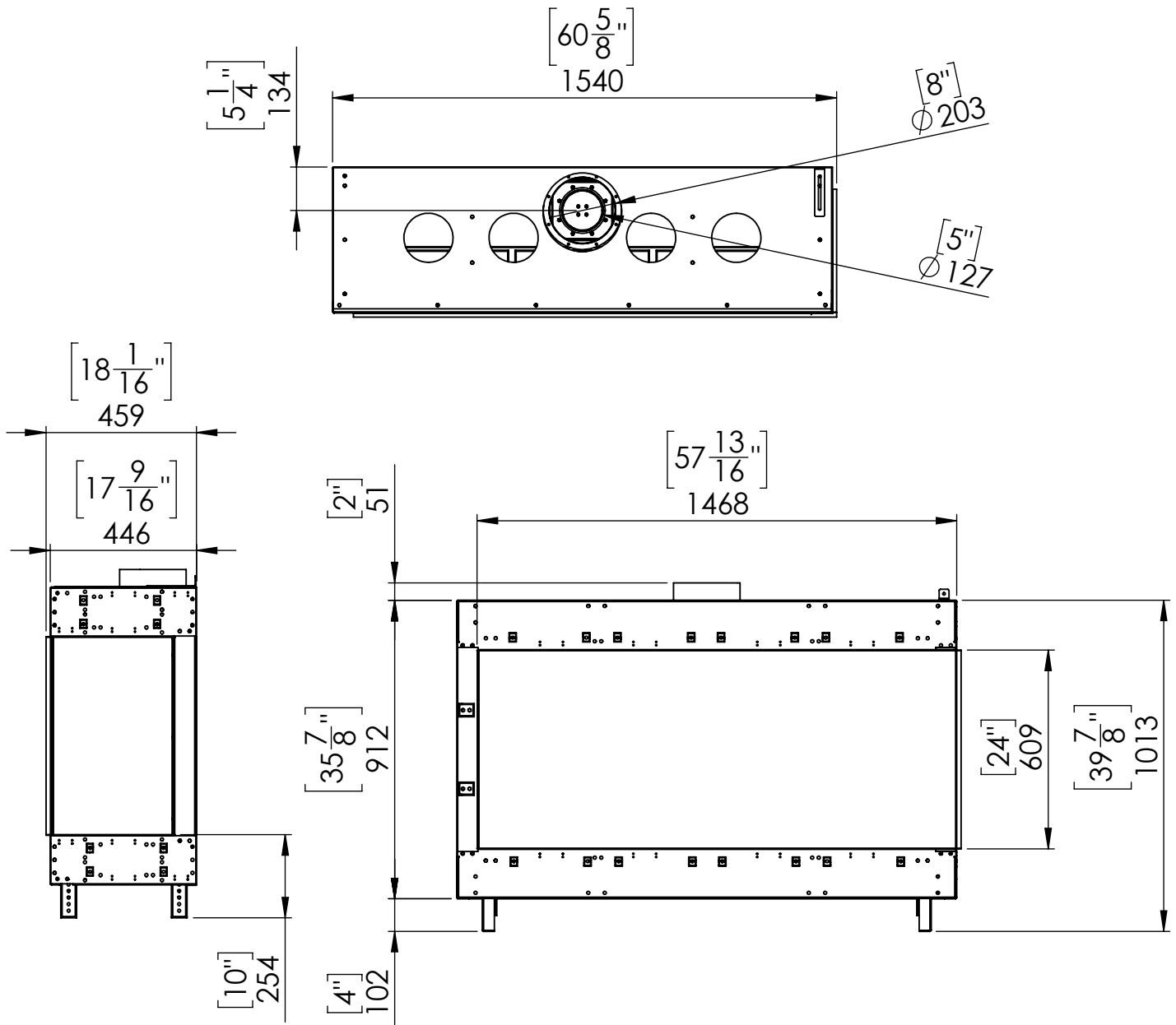


# Specifications for Appliance Flare Right Corner 60H

Factor	NG	LPG
Burner Type	35,55,35	35,55,35
Orifice	500,800,500	160,160,160
BTU Max.	50000	41000
BTU min.	28000	20000
Kw/h	14.6k	12k
Chimney DIA.	5X8	5X8
Manifold Pressure[w.c]	3.3	10.4
Efficiency rate	77	80
Glass Size Length\Width	1520.5 X 620 mm	59 13/16" X 24 7/16'
Appliance Weigh	180Kg	395lb

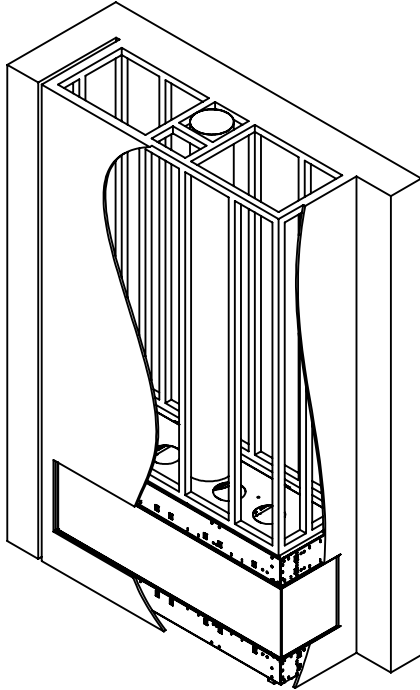
## Appliance Location



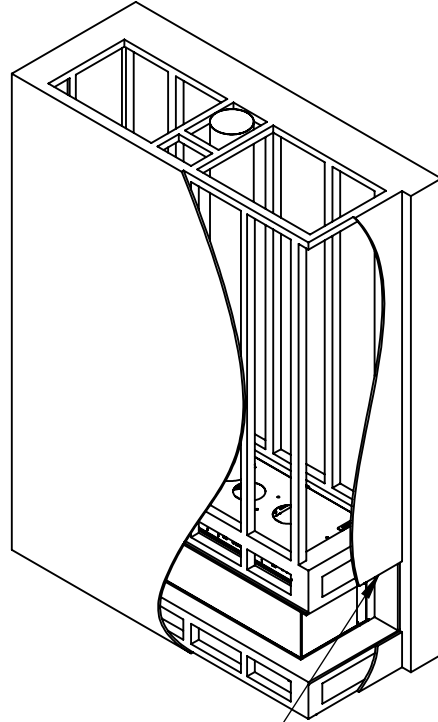


Telescopic leg ranges  
 (from bottom of glass): 10"-19"

## Flat Installation

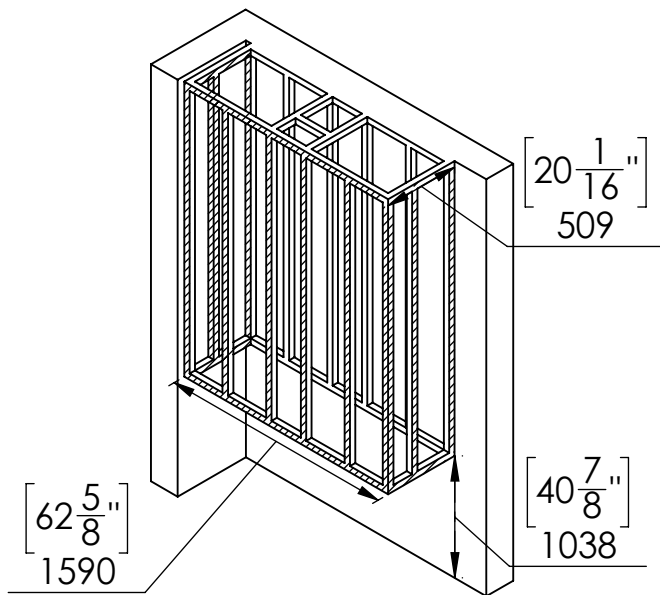


## Recess Installation



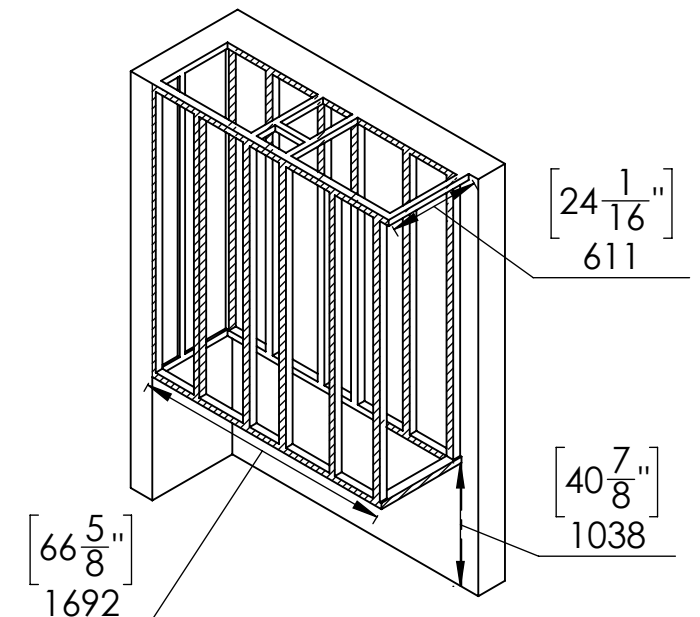
Top of Recess  
4" max

### Step 1 - Basic Framing :



 Metal Stud

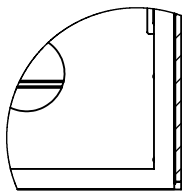
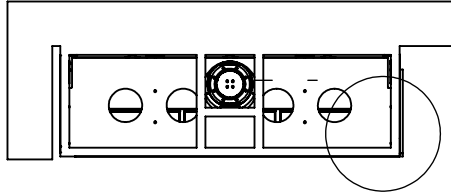
### Step 1 - Basic Framing :



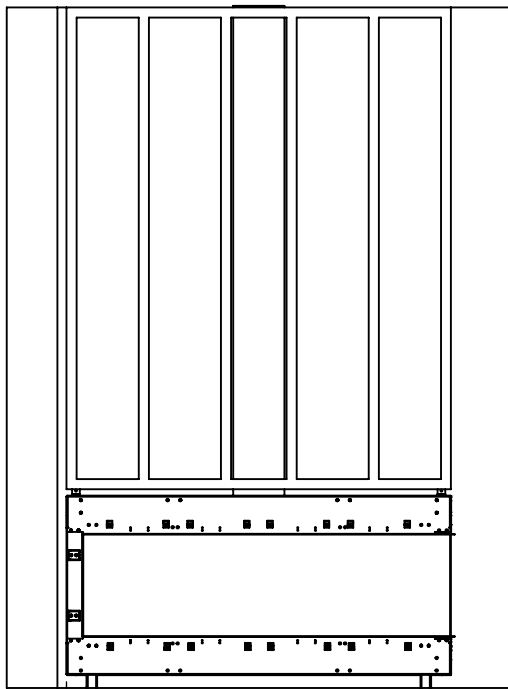
 Metal Stud

## Flat Installation

Step 2 -Positioning the Fireplace:



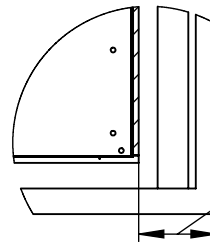
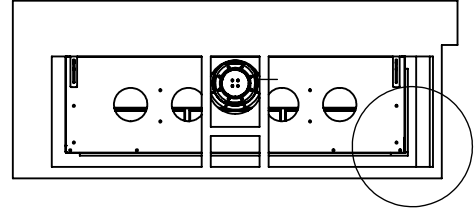
Fireplace frame finishing holder space to match wall finishing thickness



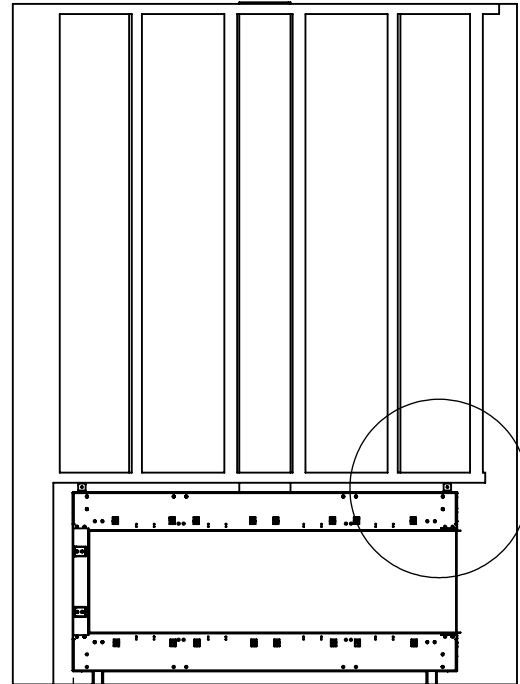
$2\frac{1}{2}$ "  
63

## Recess Installation

Step 2 -Positioning the Fireplace:



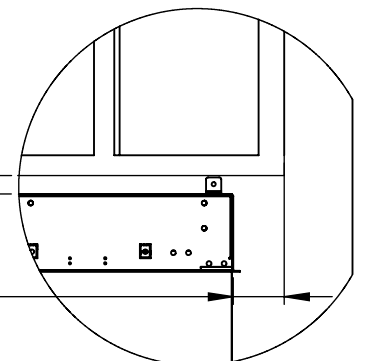
[4"] gap to match the max. length of top shelf.  
102



$2\frac{1}{2}$ "  
63

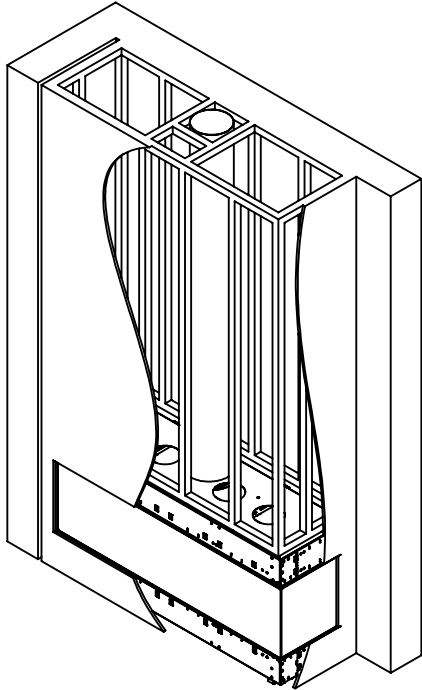
[2"]  
51

[4" max.]  
102 max.



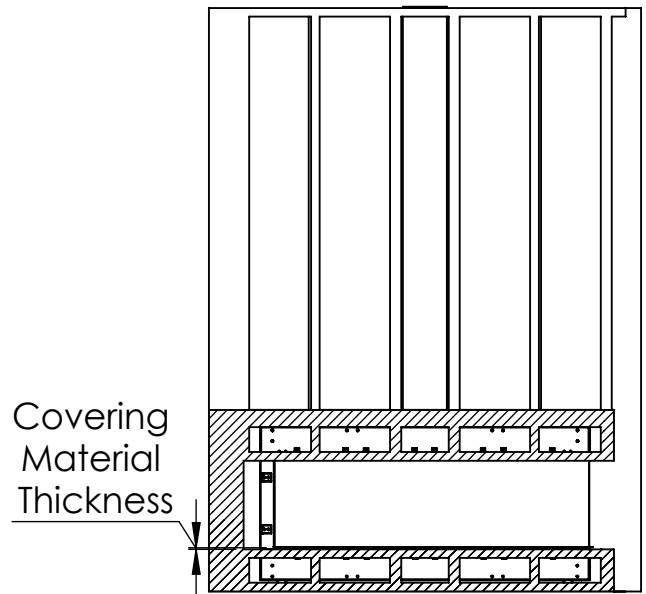
## Flat Installation

Last Step - Finishing The Fireplace Wall:



## Recess Installation

Step 3 - Framing Front Studs For Recess  
After positioning the Fireplace:



Last Step - Finishing The Fireplace Wall:

