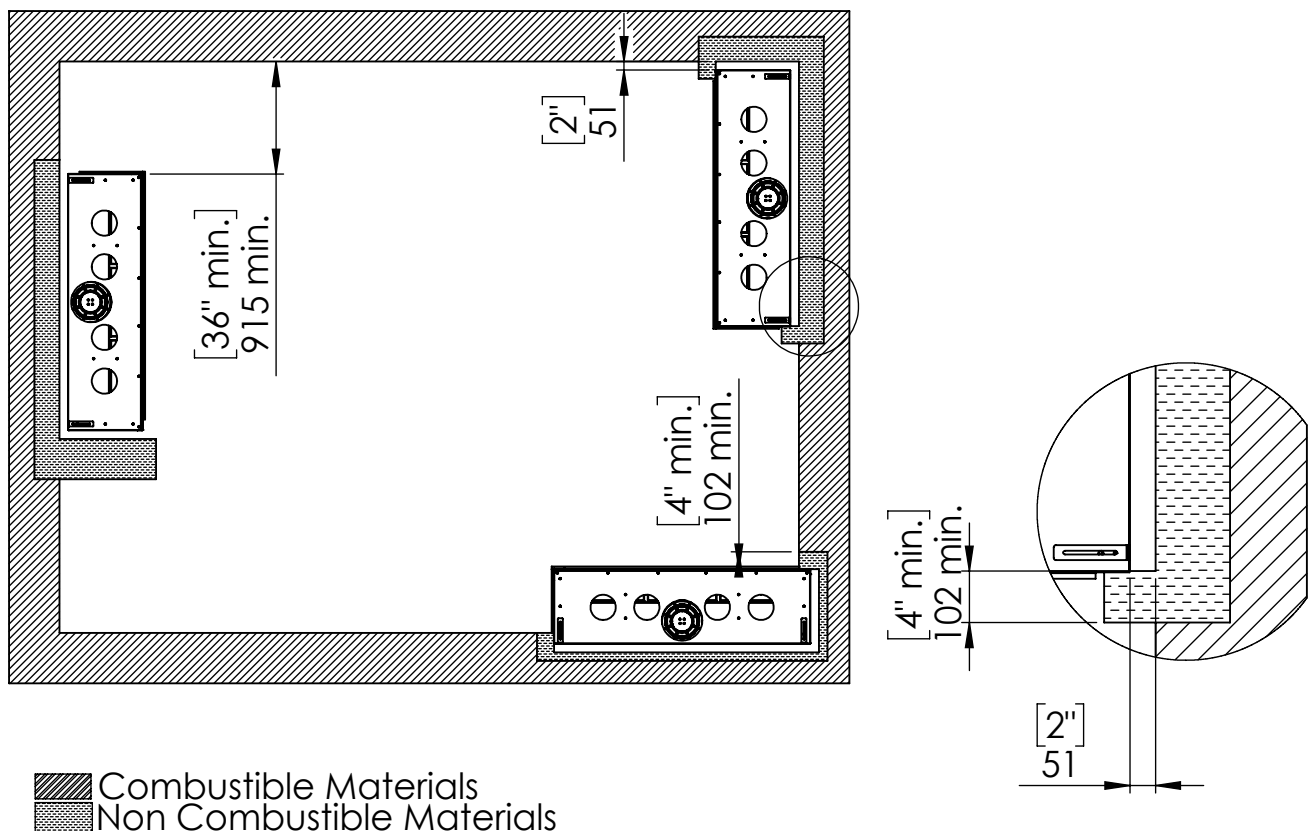


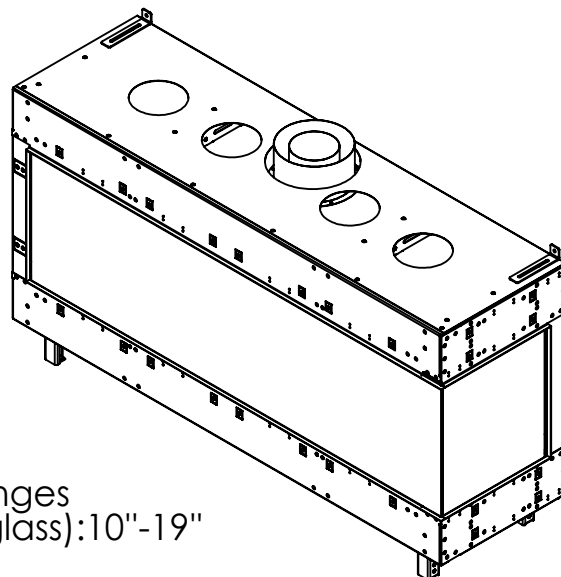
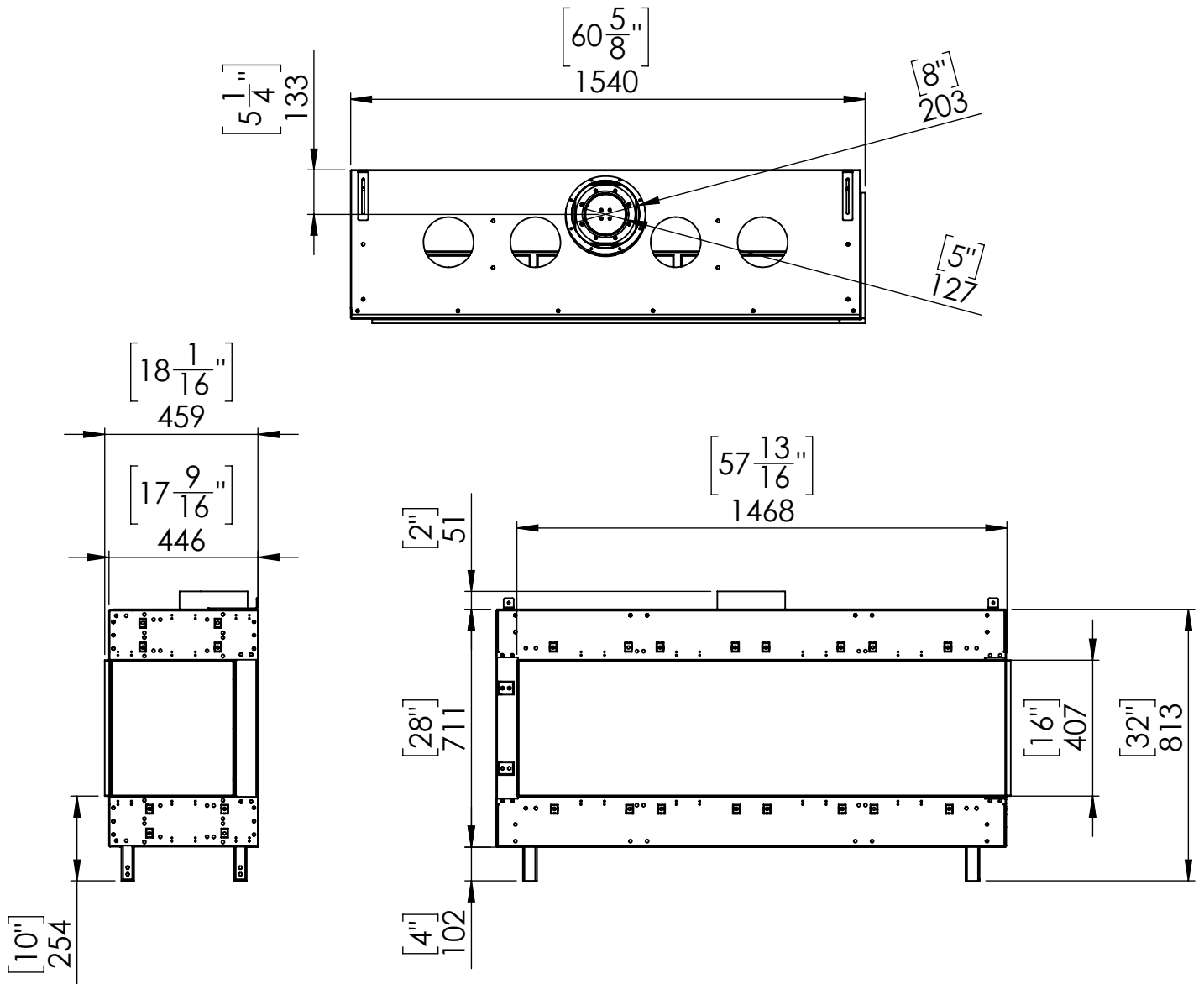


Specifications for Appliance Flare Right Corner 60

Factor	NG	LPG
Burner Type	35,55,35	35,55,35
Orifice	500,800,500	160,160,160
BTU Max.	50000	41000
BTU min.	28000	20000
Kw/h	14.6k	12k
Chimney DIA.	5X8	5X8
Manifold Pressure[w.c]	3.3	10.4
Efficiency rate	77	80
Glass Size Length\Width	1520.5 X 423 mm	59.8" X 16.65"
Appliance Weigh	170Kg	375lb

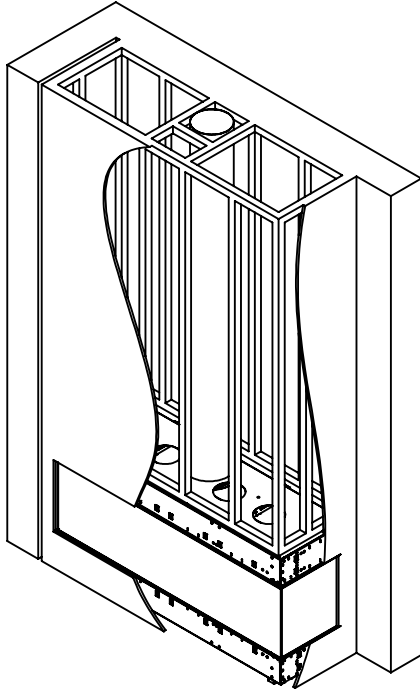
Appliance Location



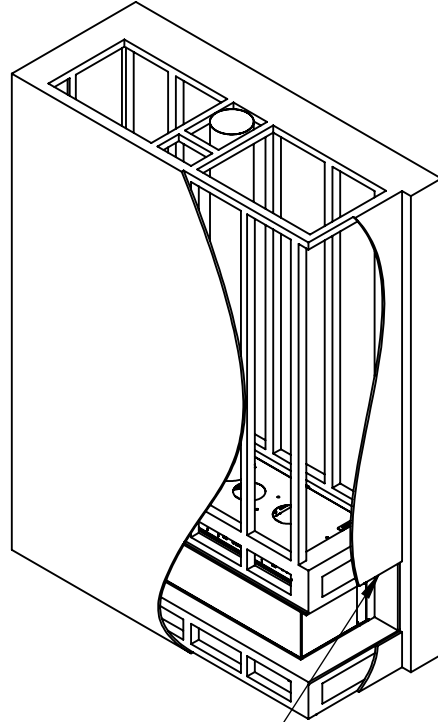


Telescopic leg ranges
(from bottom of glass): 10"-19"

Flat Installation



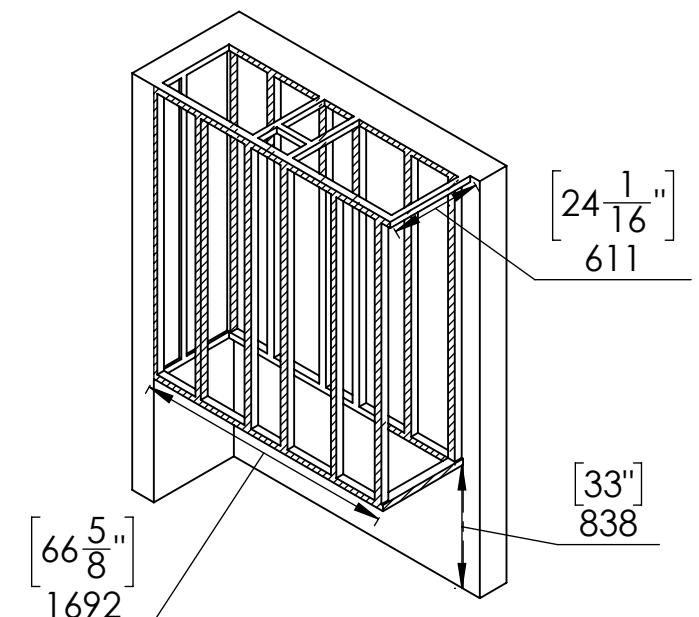
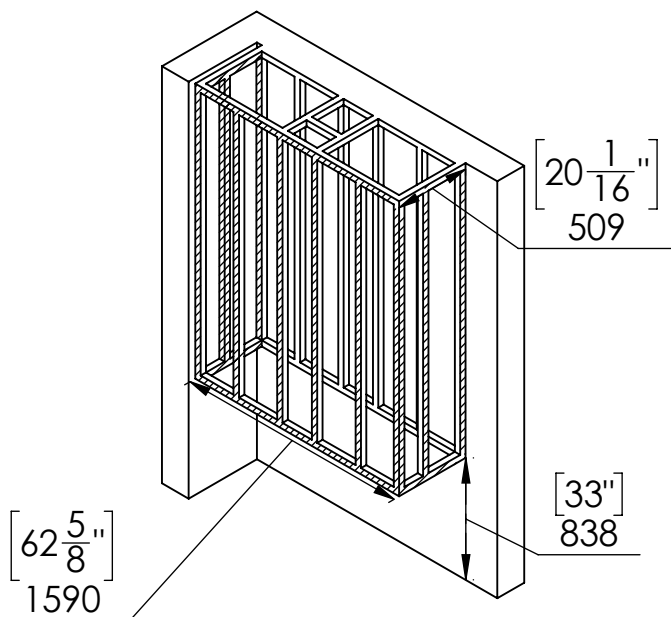
Recess Installation



Top of Recess
4" max

Step 1 - Basic Framing :

Step 1 - Basic Framing :

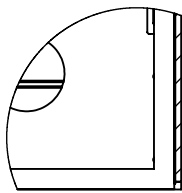
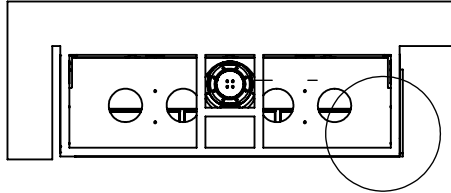


 Metal Stud

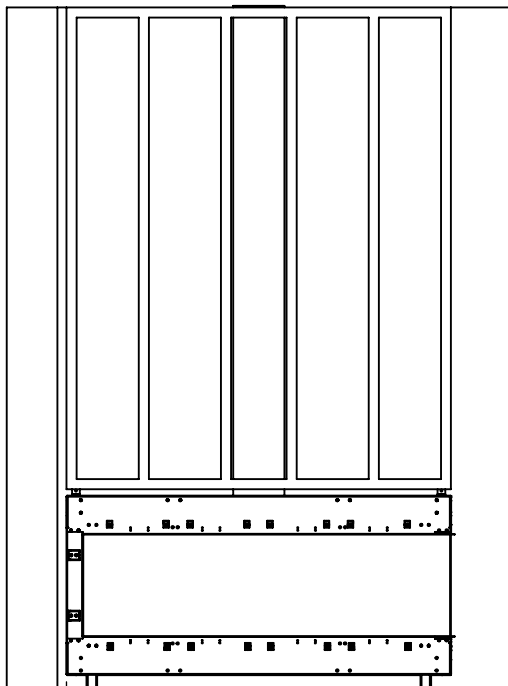
 Metal Stud

Flat Installation

Step 2 -Positioning the Fireplace:



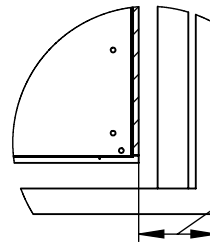
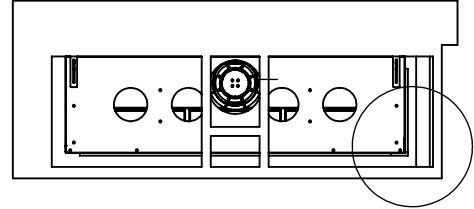
Fireplace frame finishing holder space to match wall finishing thickness



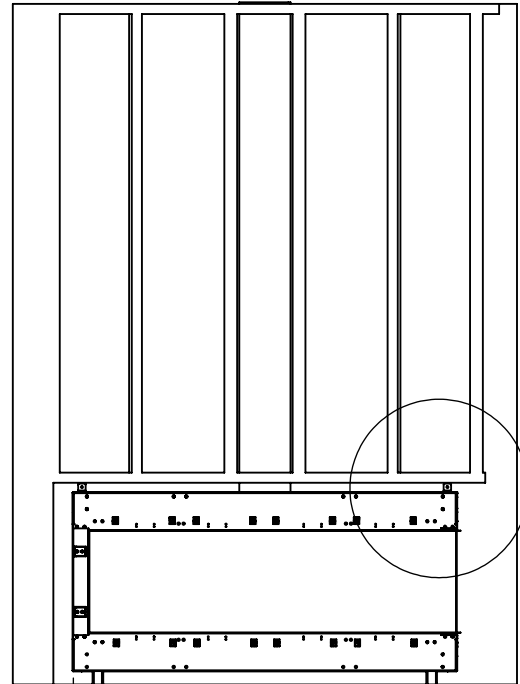
$2\frac{1}{2}''$
63

Recess Installation

Step 2 -Positioning the Fireplace:



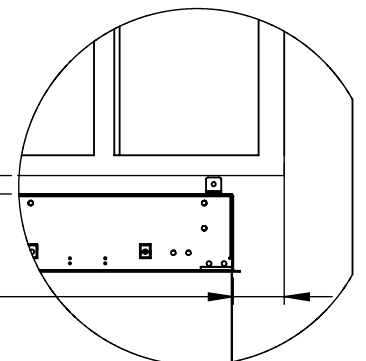
$4''$ gap to match the max. length of top shelf.
102



$2\frac{1}{2}''$
63

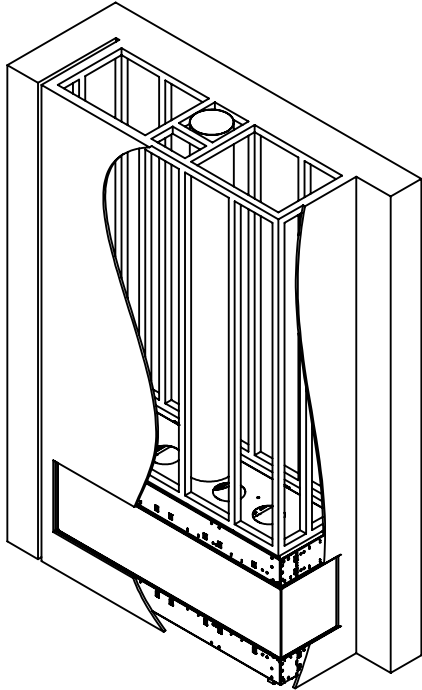
$2''$
51

$4''$ max.
102 max.



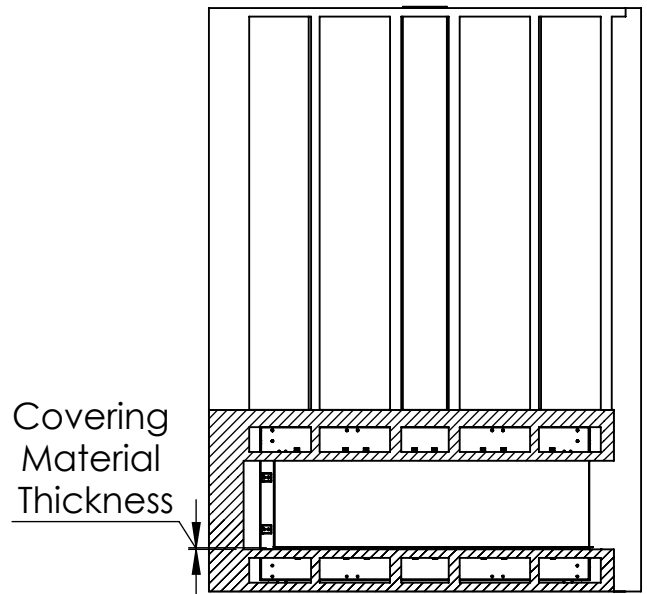
Flat Installation

Last Step - Finishing The Fireplace Wall:



Recess Installation

Step 3 - Framing Front Studs For Recess
After positioning the Fireplace:



Last Step - Finishing The Fireplace Wall:

