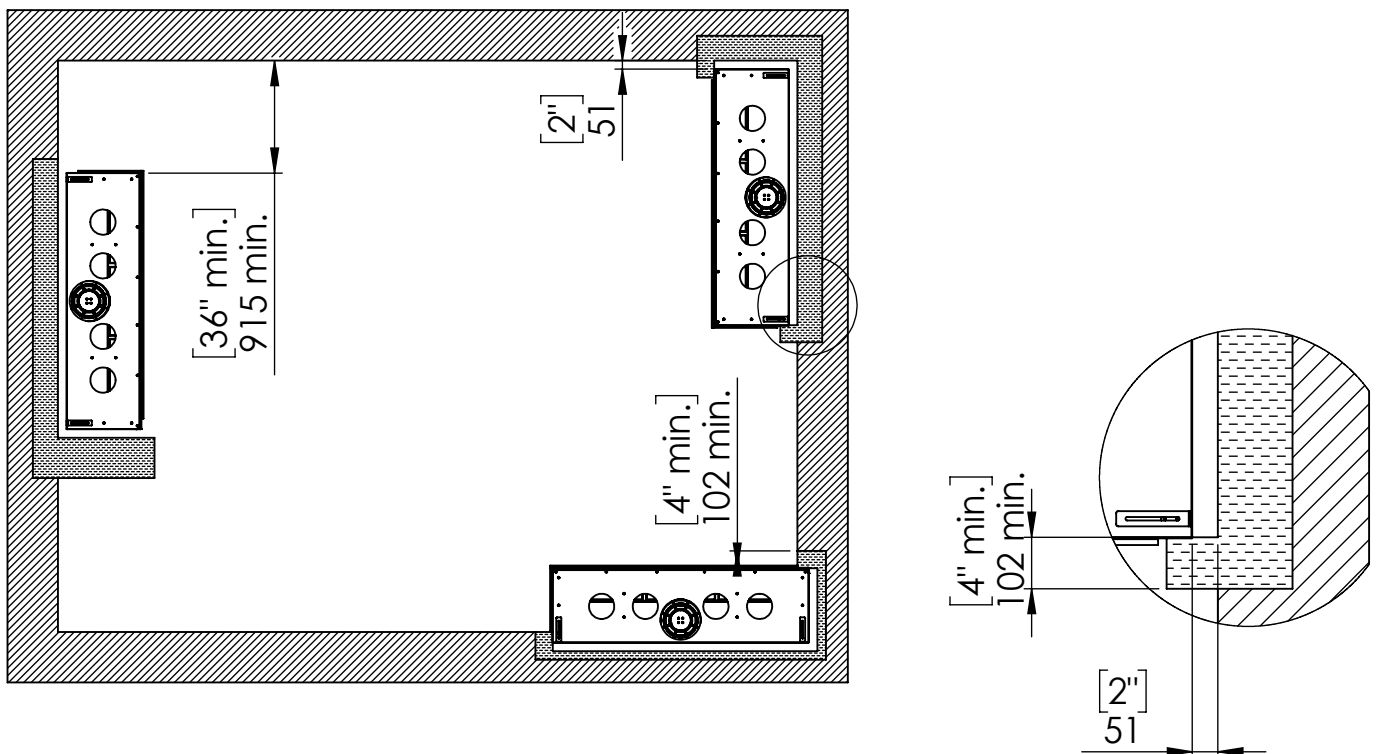




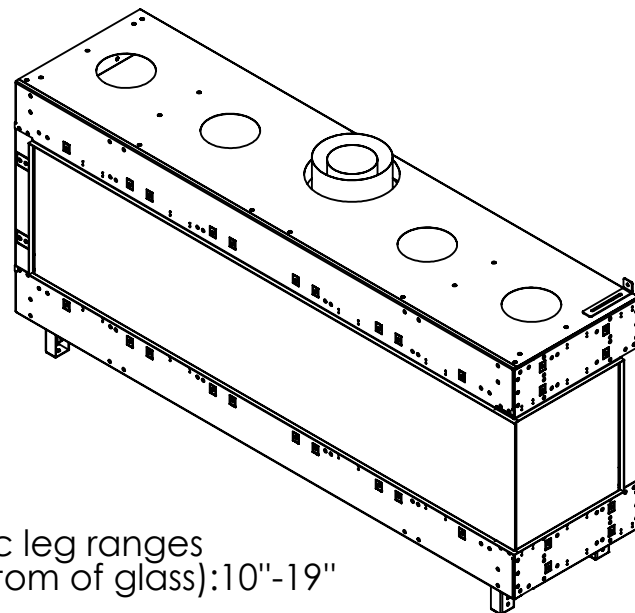
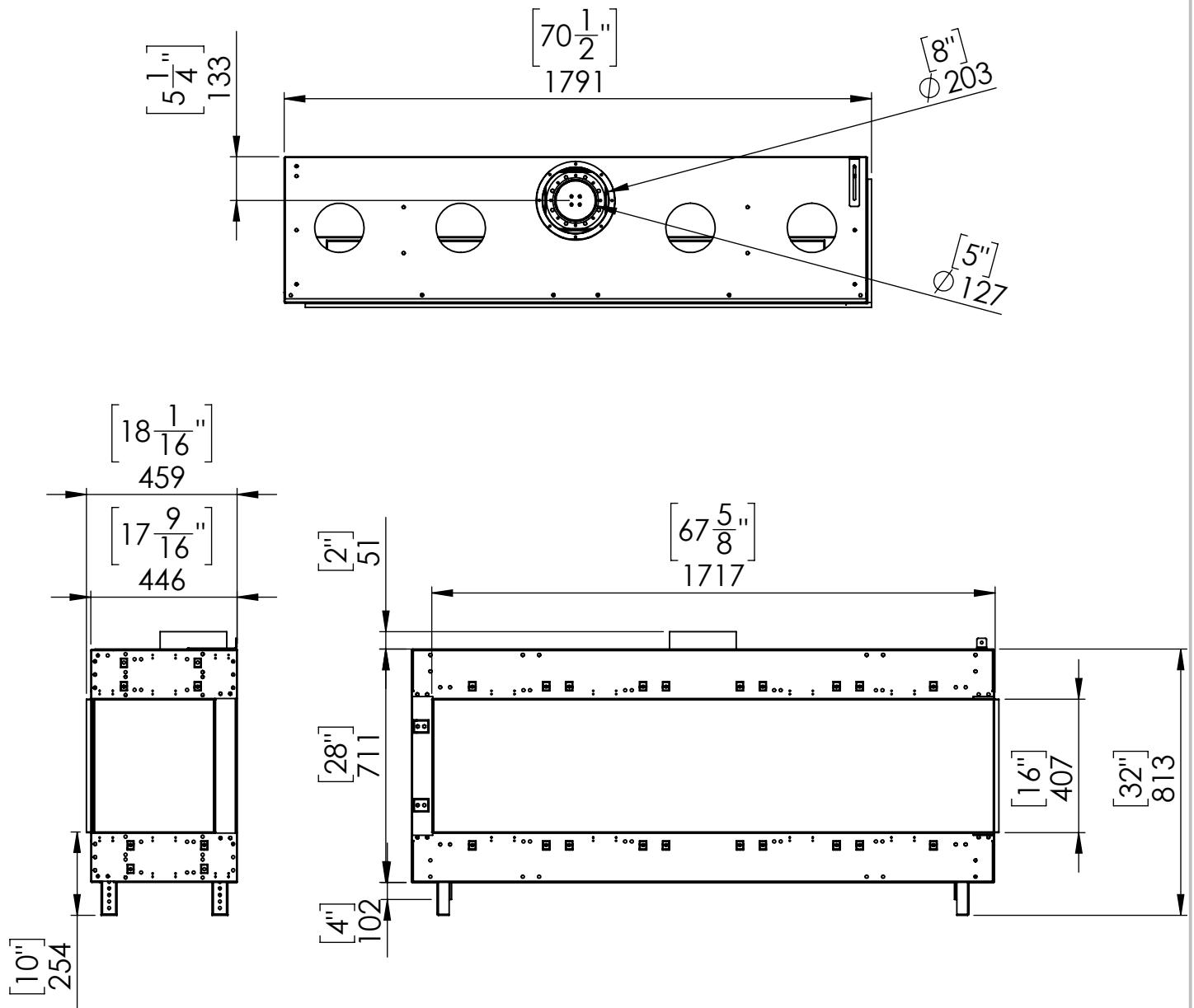
Specifications for Appliance Flare Right Corner 70

Factor	NG	LPG
Burner Type	35,80,35	35,80,35
Orifice	500,1000,500	160,180,160
BTU Max.	52200	43000
BTU min.	28000	20000
Kw/h	15.3k	12.6k
Chimney DIA.	5X8	5X8
Manifold Pressure[w.c]	3.6	8.8
Efficiency rate	82	79
Glass Size Length\Width	1770.5 X 423 mm	69" 11/16 X 16" 9/16'
Appliance Weigh	190Kg	418lb

Appliance Location

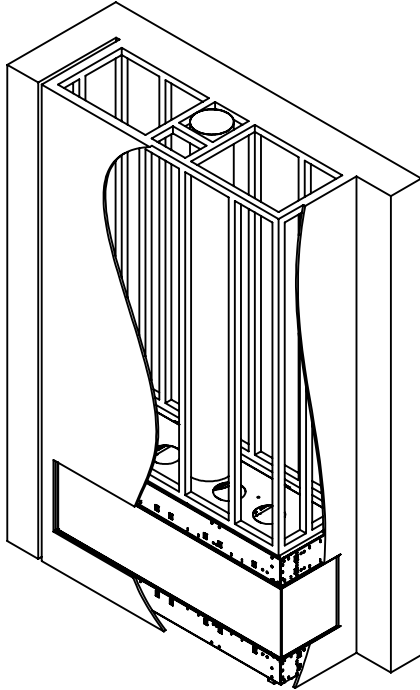


 Combustible Materials
 Non Combustible Materials

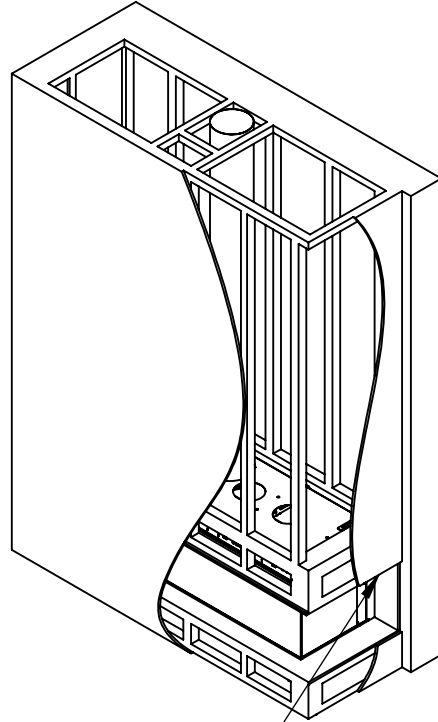


Telescopic leg ranges
(from bottom of glass): 10"-19"

Flat Installation

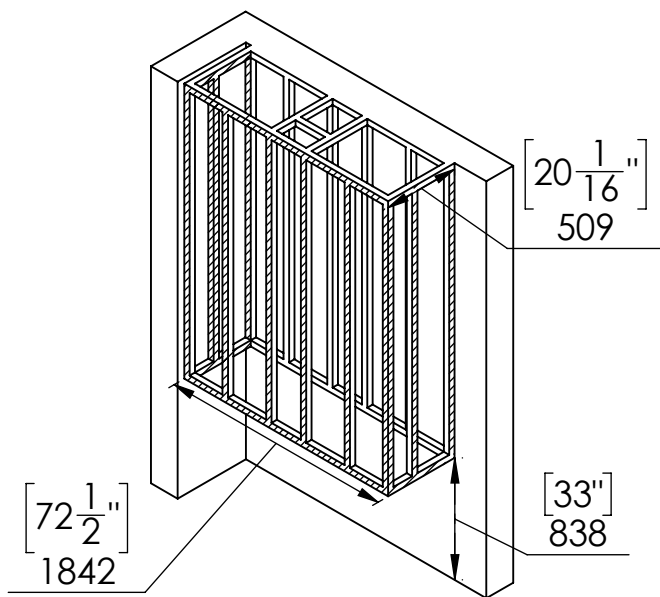


Recess Installation

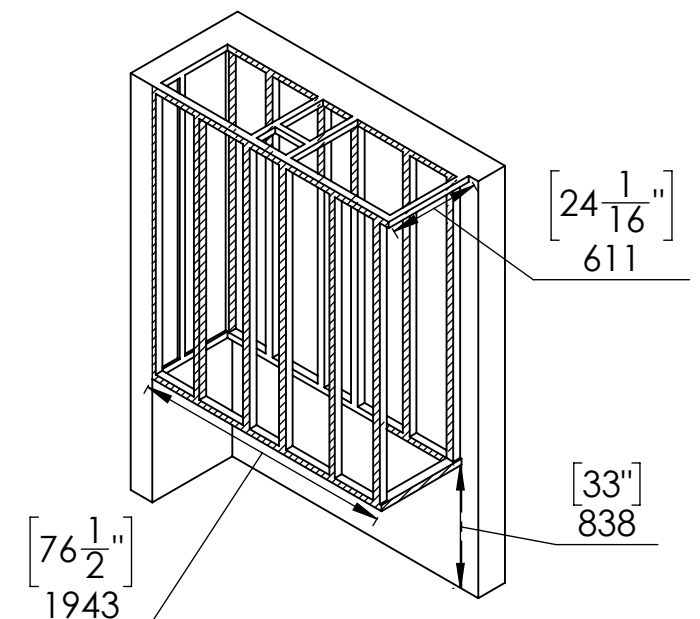


Top of Recess
4" max

Step 1 - Basic Framing :



Step 1 - Basic Framing :

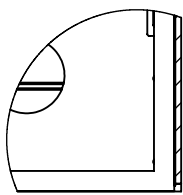
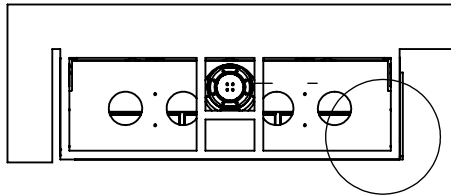


 Metal Stud

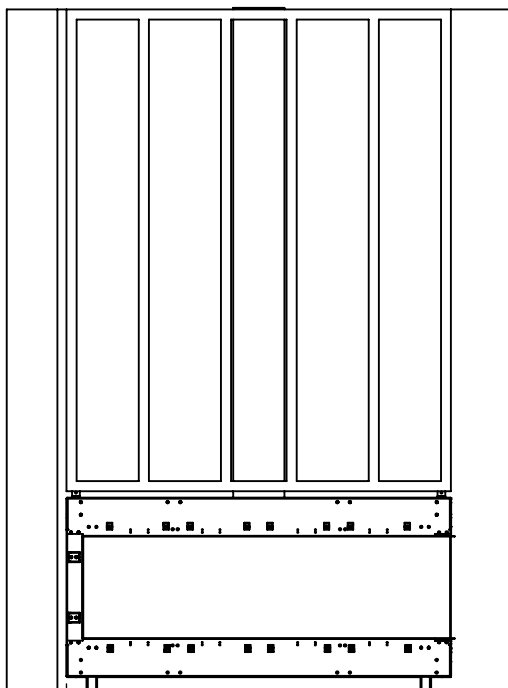
 Metal Stud

Flat Installation

Step 2 -Positioning the Fireplace:



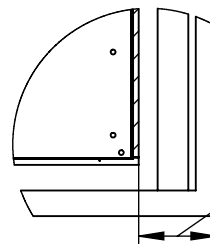
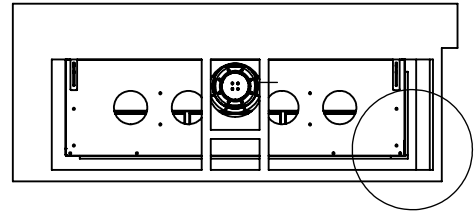
Fireplace frame finishing holder space to match wall finishing thickness



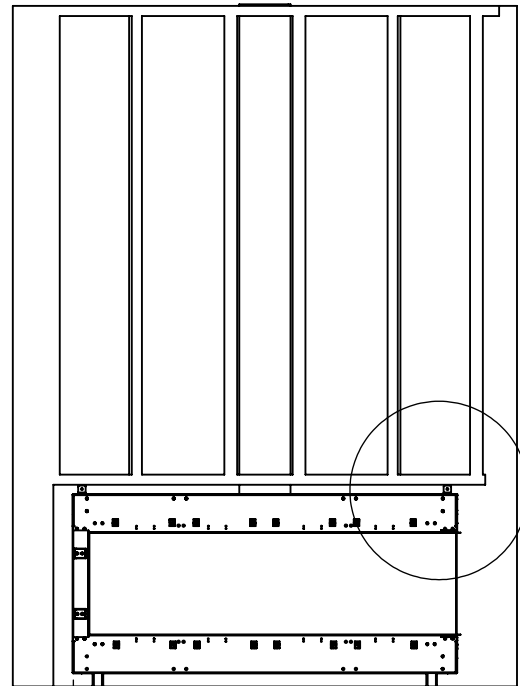
$2\frac{1}{2}"$
63

Recess Installation

Step 2 -Positioning the Fireplace:



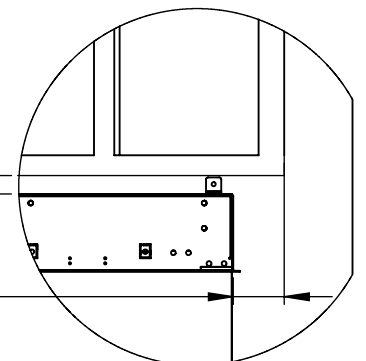
$4"$ gap to match the max. length of top shelf.
102



$2\frac{1}{2}"$
63

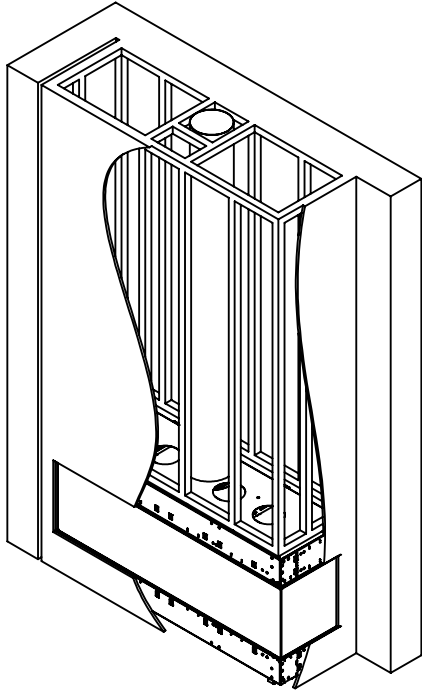
$2"$
51

$4" \text{ max.}$
 102 max.



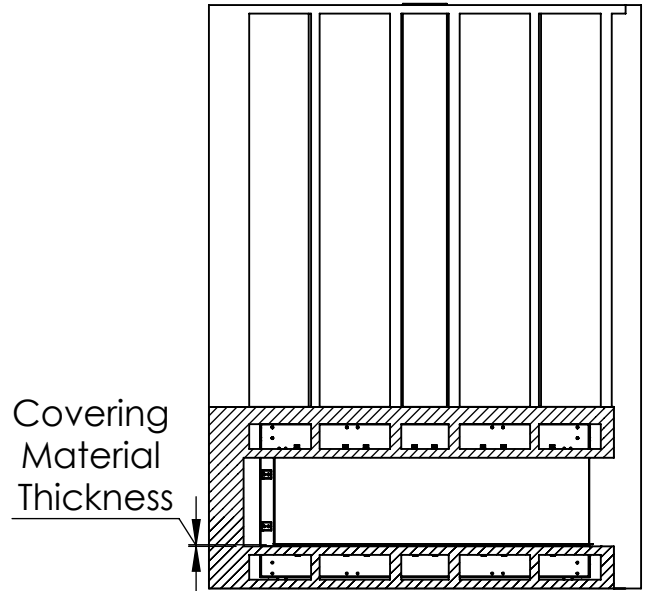
Flat Installation

Last Step - Finishing The Fireplace Wall:



Recess Installation

Step 3 - Framing Front Studs For Recess
After positioning the Fireplace:



Last Step - Finishing The Fireplace Wall:

