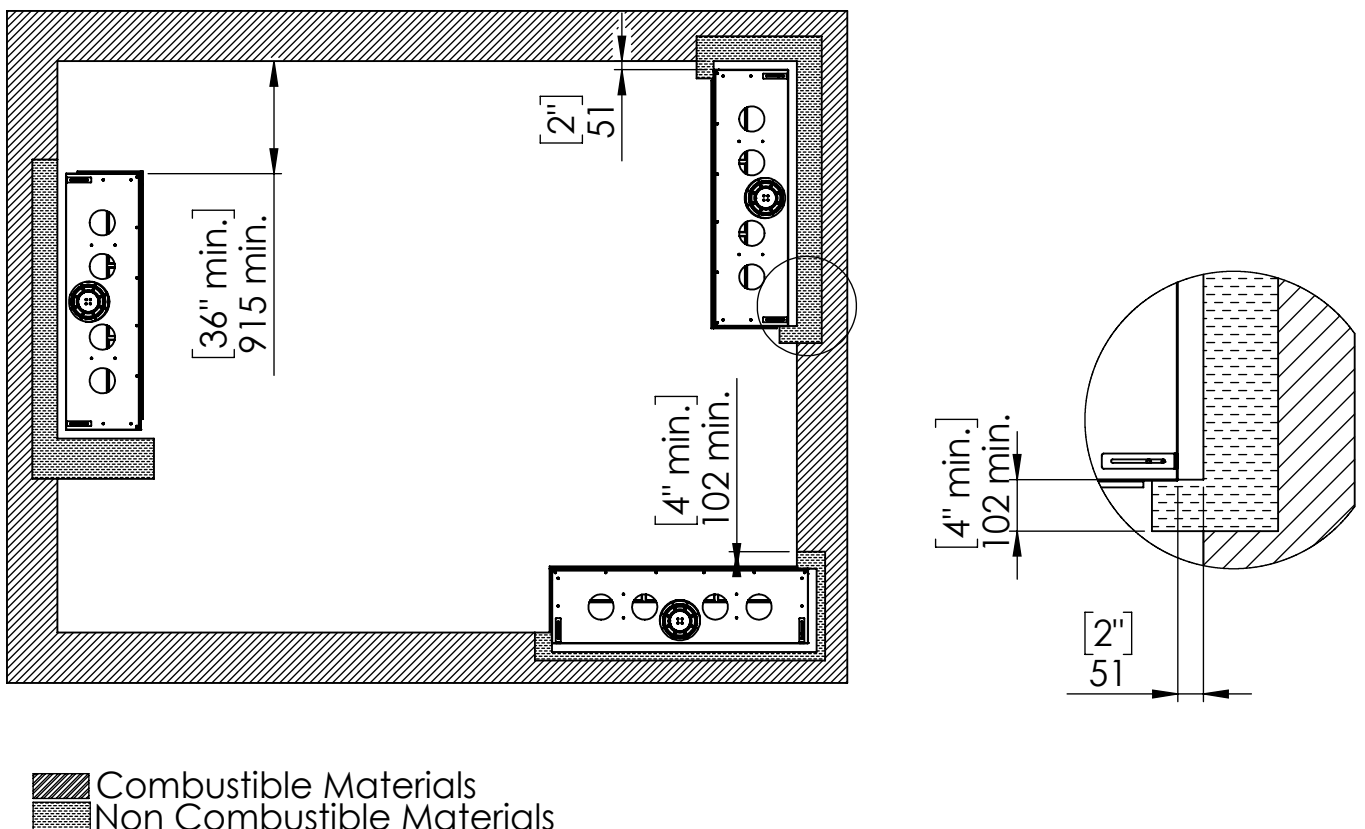


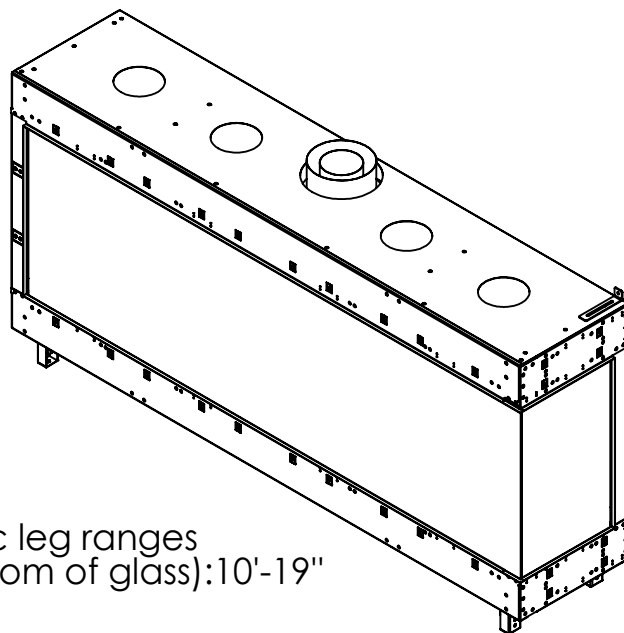
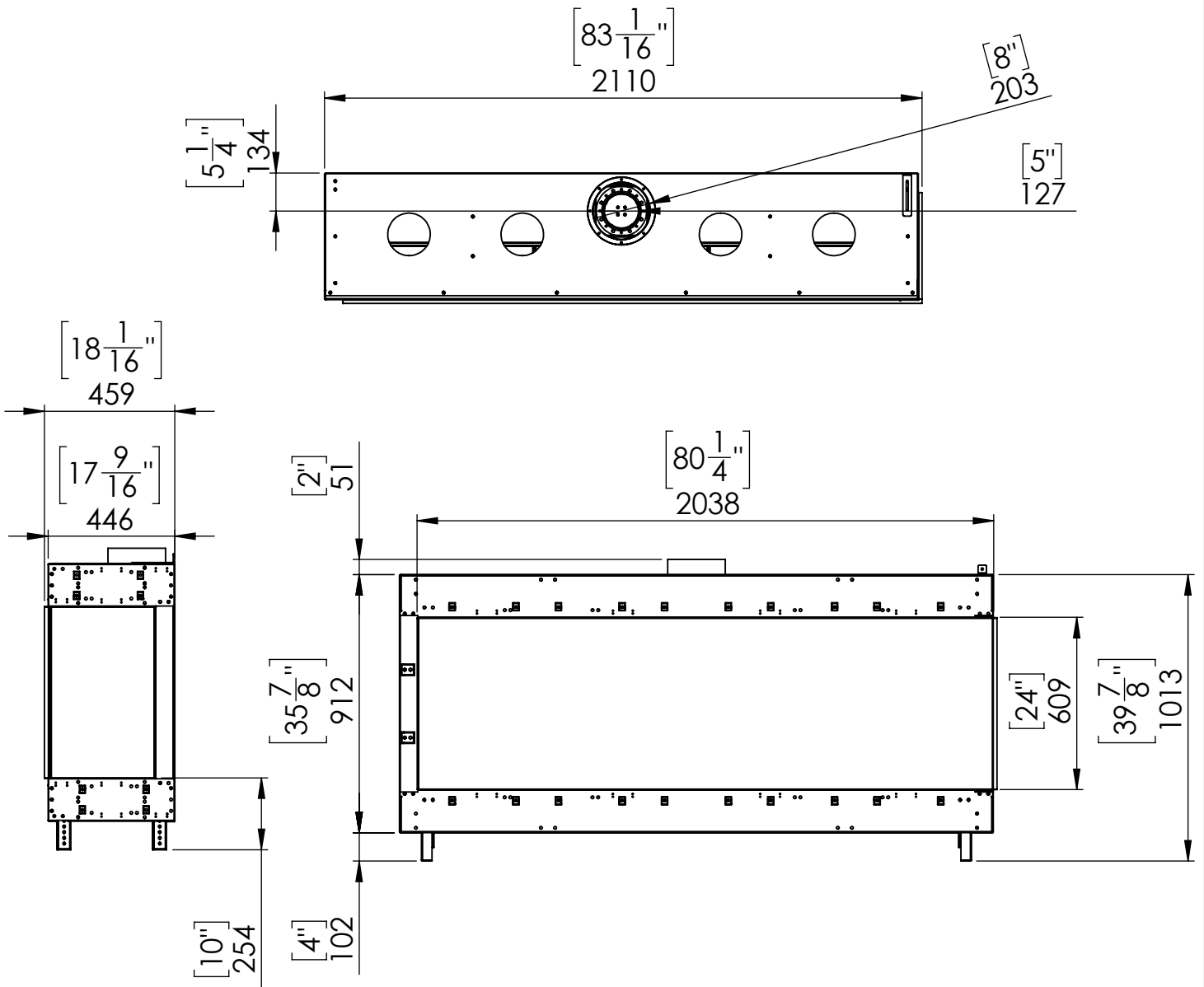


Specifications for Appliance Flare Right Corner 80H

Factor	NG	LPG
Burner Type	35,105,35	35,105,35
Orifice	500,1200,500	160,260,160
BTU Max.	52200	43000
BTU min.	28000	20000
Kw/h	16.3k	13.5k
Chimney DIA.	5X8	5X8
Manifold Pressure[w.c]	3.4	8.8
Efficiency rate	82	80
Glass Size Length\Width	2090.5 X 620 mm	82" 5/16 X 24" 7/16'
Appliance Weigh	230Kg	505lb

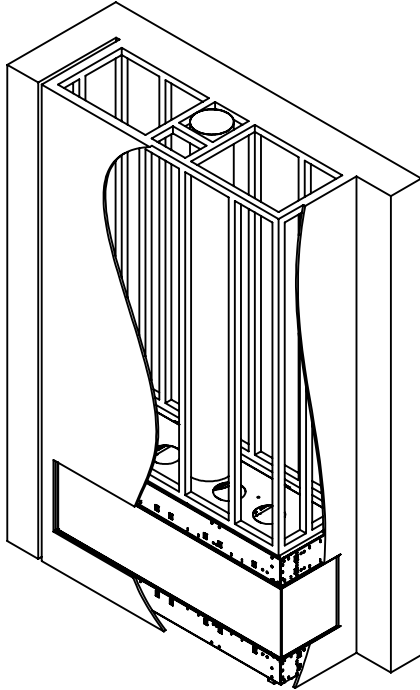
Appliance Location



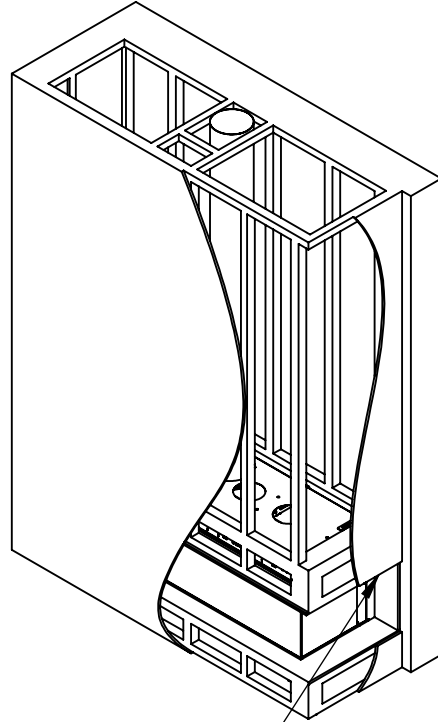


Telescopic leg ranges
(from bottom of glass): 10'-19"

Flat Installation



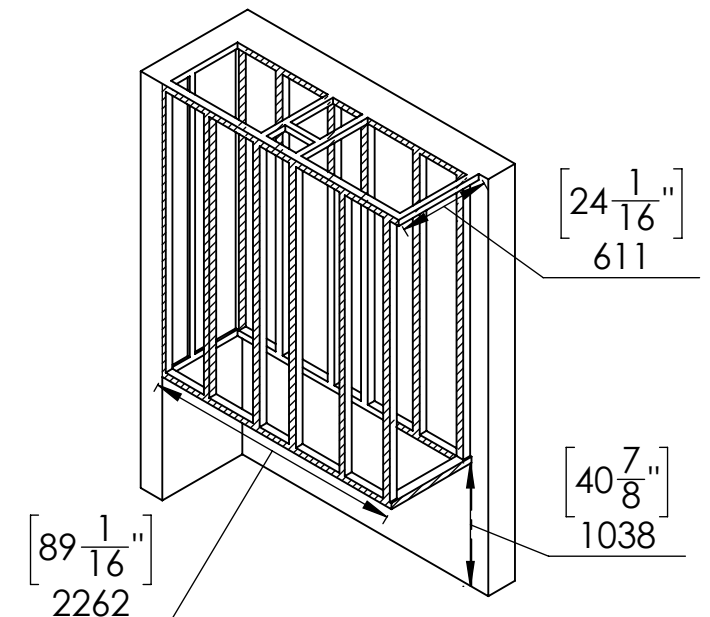
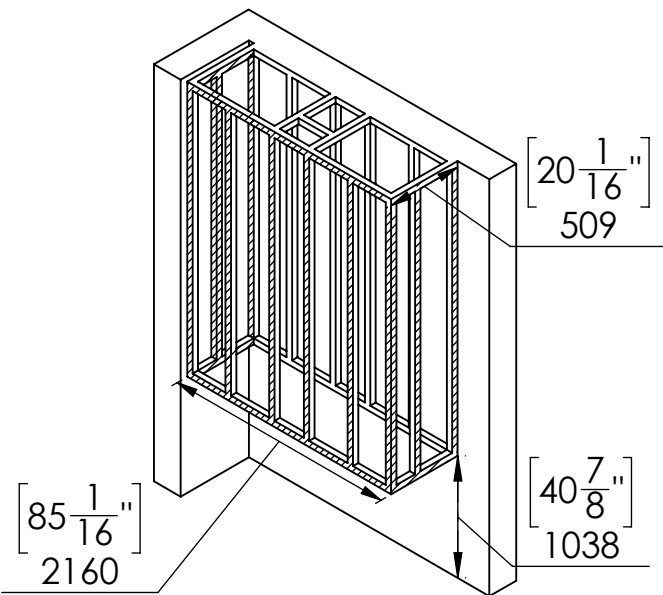
Recess Installation



Top of Recess
4" max

Step 1 - Basic Framing :

Step 1 - Basic Framing :

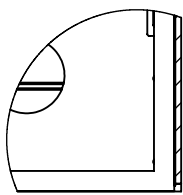
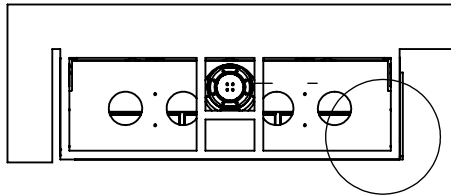


 Metal Stud

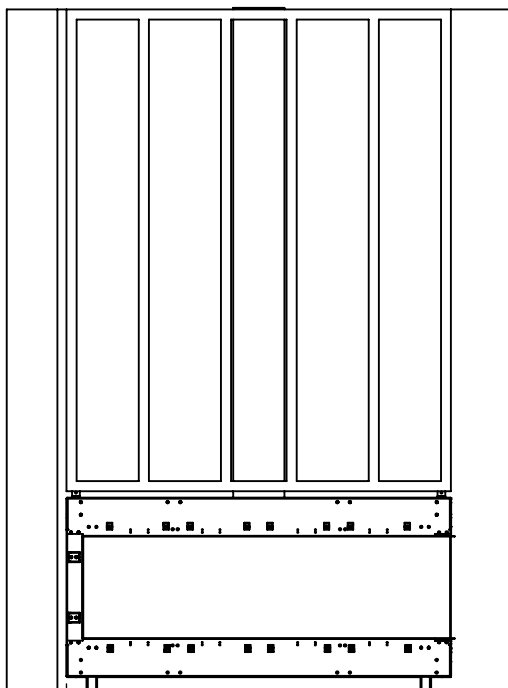
 Metal Stud

Flat Installation

Step 2 -Positioning the Fireplace:



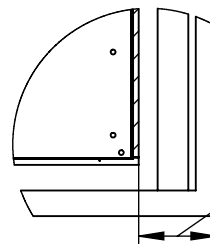
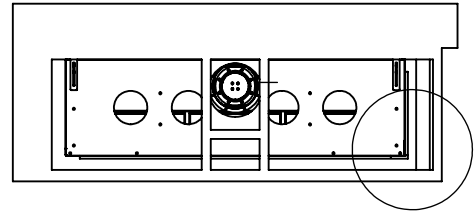
Fireplace frame finishing holder space to match wall finishing thickness



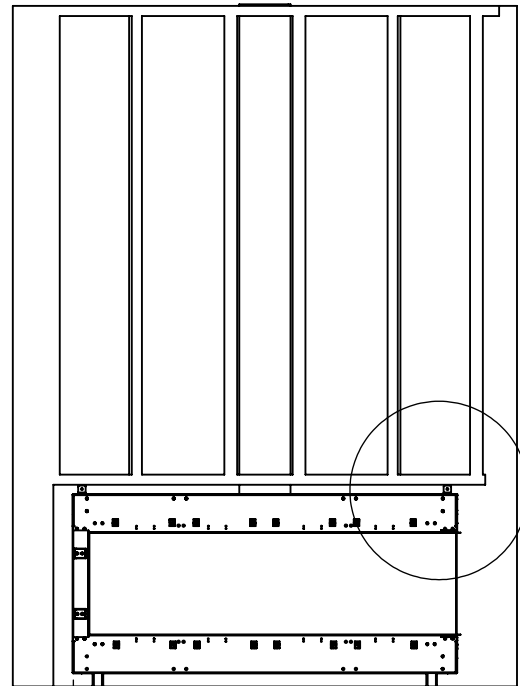
$2\frac{1}{2}"$
63

Recess Installation

Step 2 -Positioning the Fireplace:



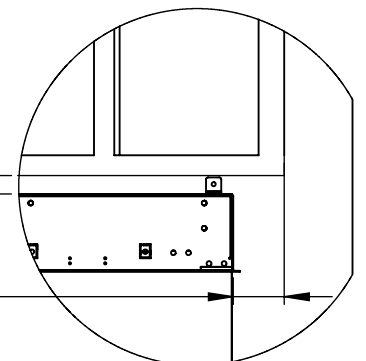
$4"$ gap to match the max. length of top shelf.
102



$2\frac{1}{2}"$
63

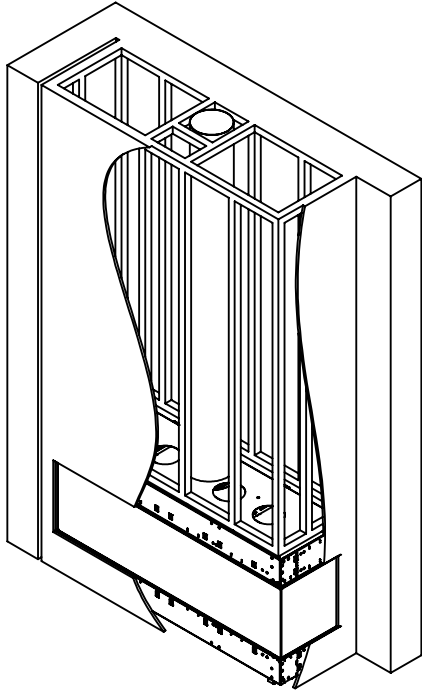
$2"$
51

$4" \text{ max.}$
 102 max.



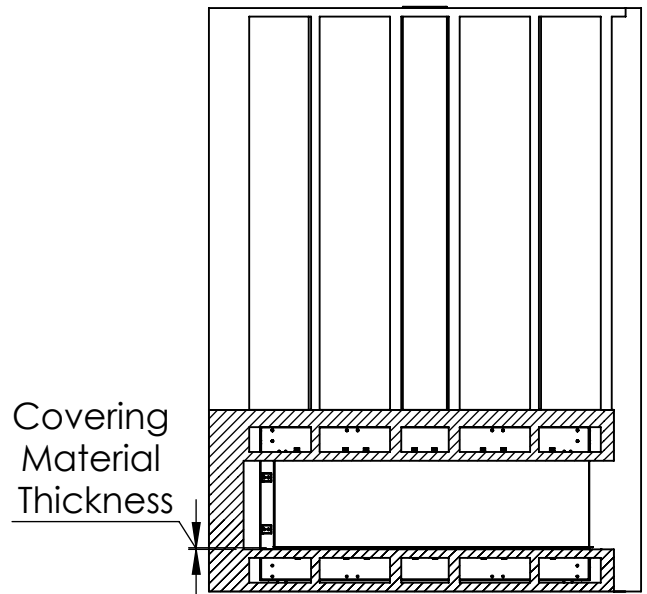
Flat Installation

Last Step - Finishing The Fireplace Wall:



Recess Installation

Step 3 - Framing Front Studs For Recess
After positioning the Fireplace:



Last Step - Finishing The Fireplace Wall:

