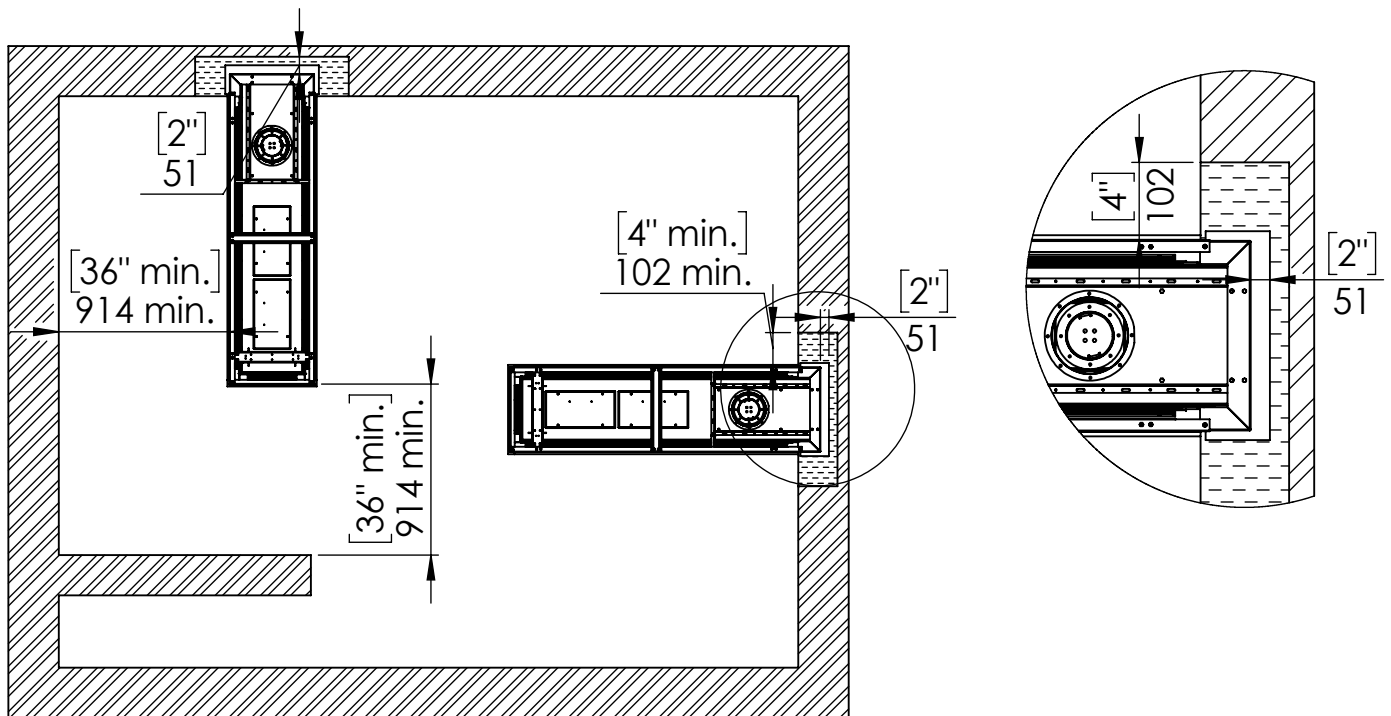




Specifications for Appliance Flare Room Definer 60

Factor	NG	LPG
Burner Type	35,55,35	35,55,35
Orifice	500,800,500	160,160,160
BTU Max.	50000	41000
BTU min.	28000	20000
Kw/h	14.6k	12k
Chimney DIA.	5X8	5X8
Manifold Pressure[w.c]	3.3	8
Efficiency rate	77	80
Glass Size Length\Width	1450 X420 mm	57" 1/16 X 16" 9/16'
Appliance Weigh	180Kg	396lb

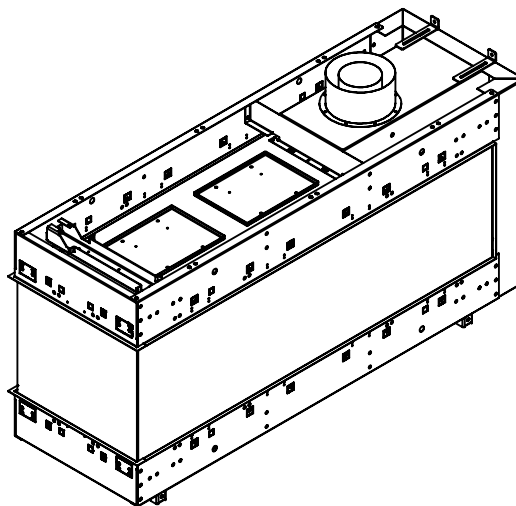
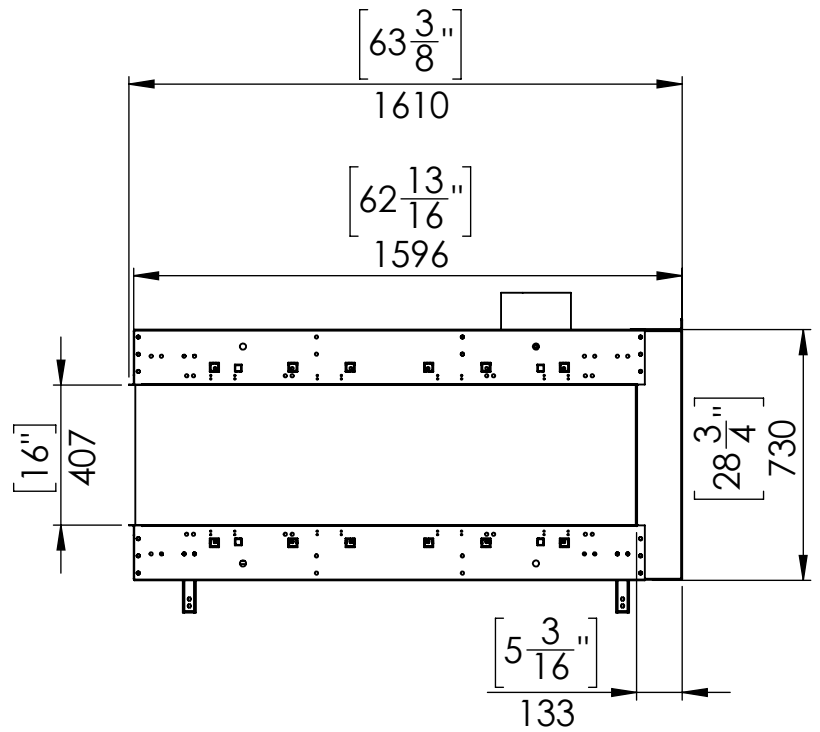
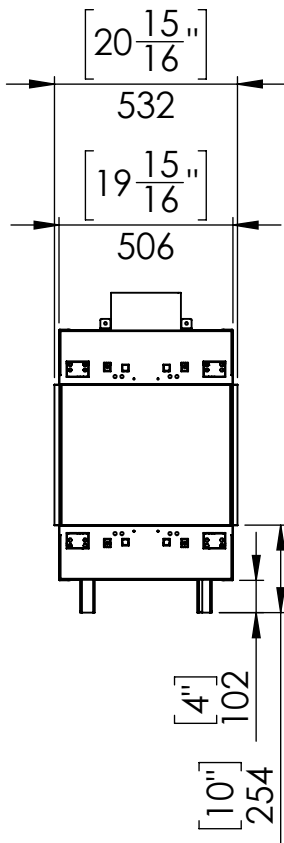
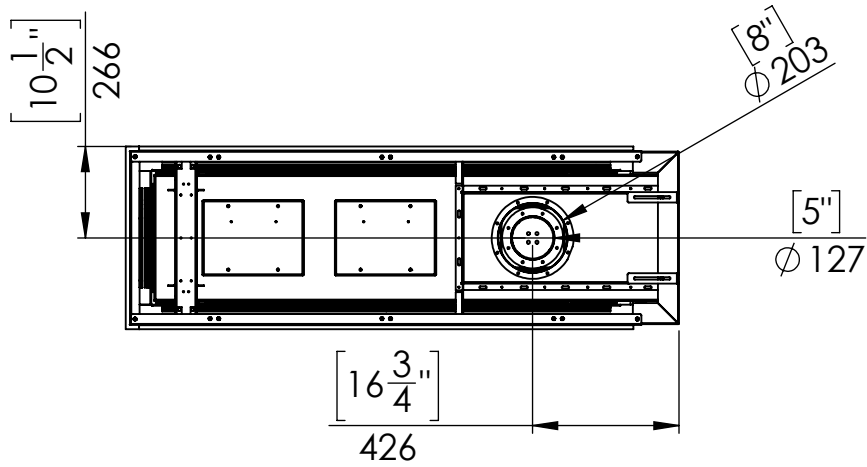
Appliance Location



 Combustible Materials
 Non Combustible Materials

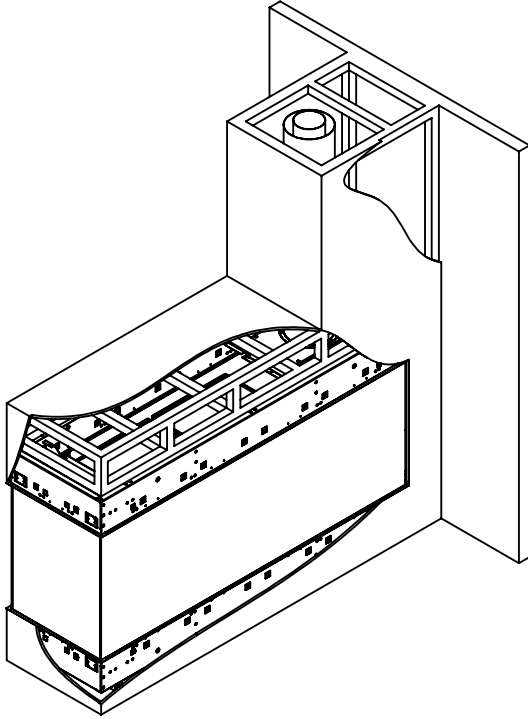


Flare Room Definer 60

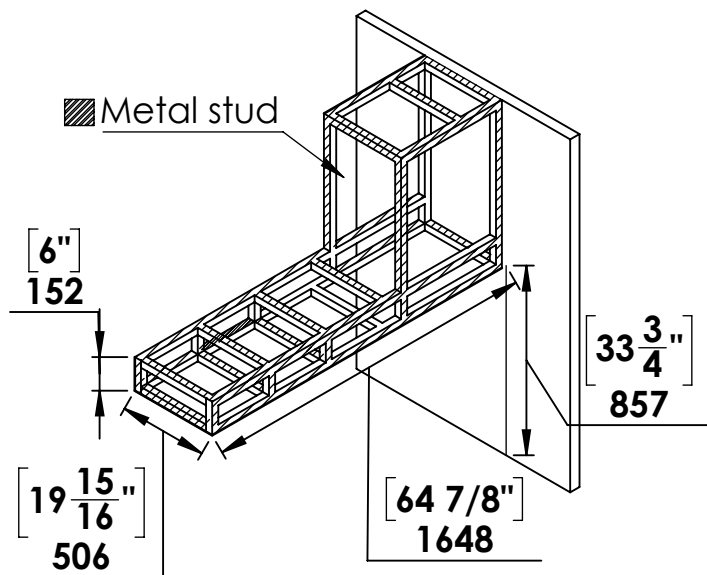


Telescopic leg ranges
(from bottom of the glass): 10"-21"

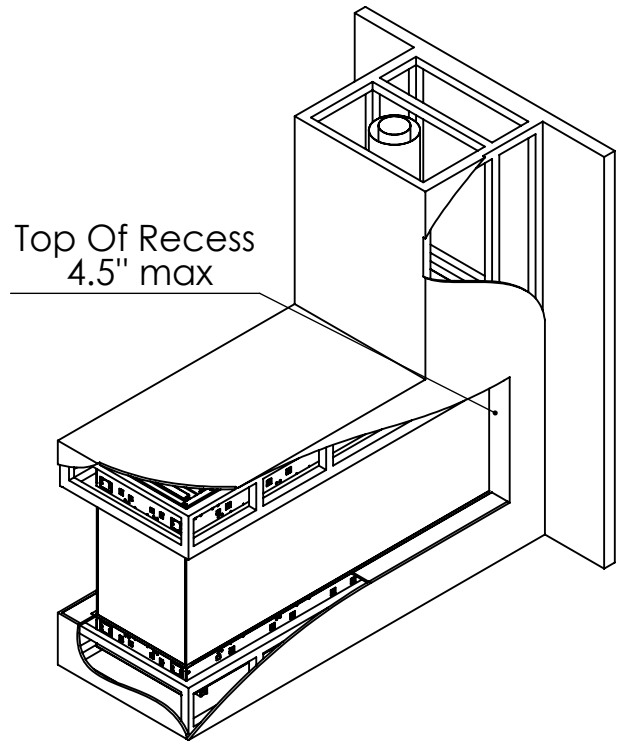
Flat Installation



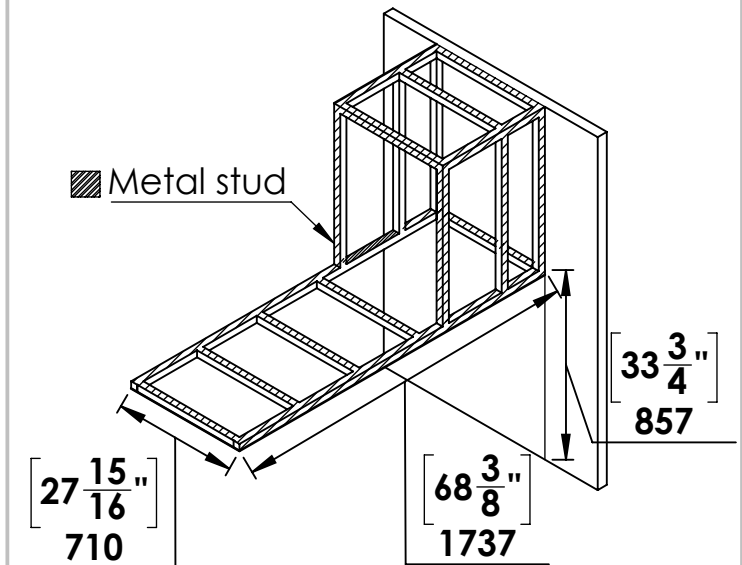
Step 1 - Basic Framing :



Recess Installation

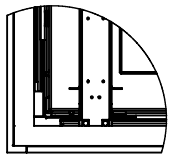
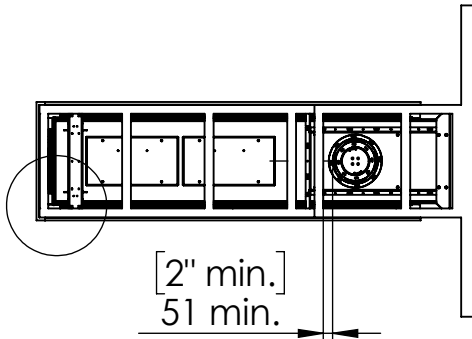


Step 1 - Basic Framing :

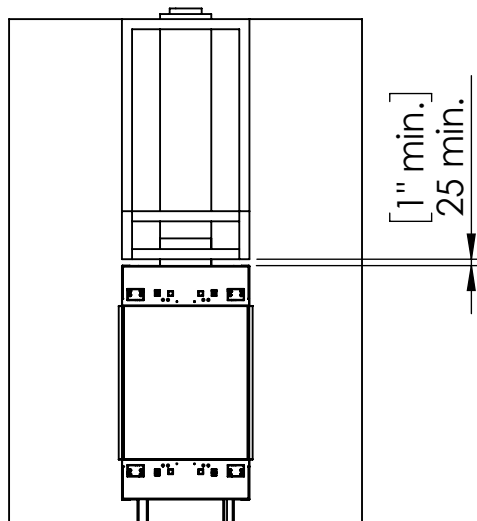


Flat Installation

Step 2 -Positioning the Fireplace:

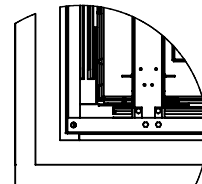
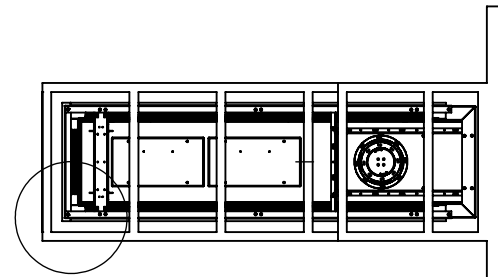


Fireplace frame finishing holder space to match wall finishing thickness



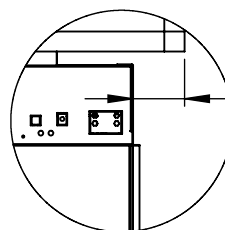
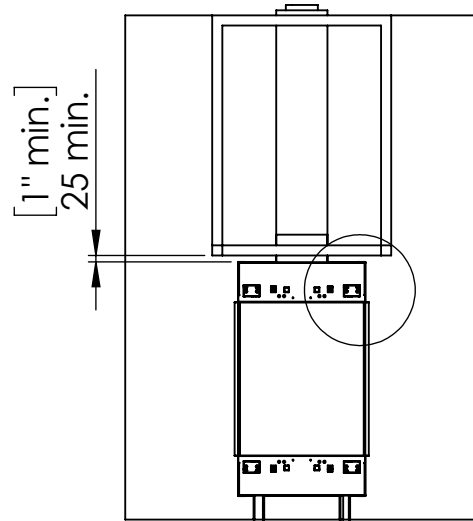
Recess Installation

Step 2 -Positioning the Fireplace:



gap to match the max. length of top shelf.

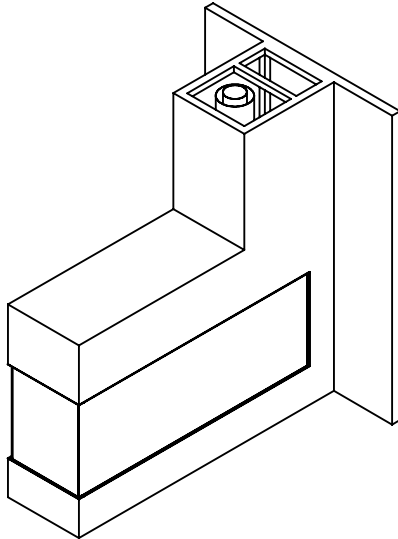
[4" max.]
102 max.



[4" max.]
102 max.

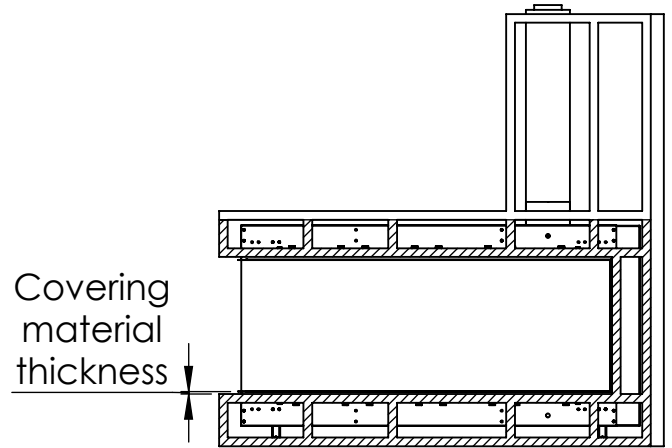
Flat Installation

Last Step - Finishing The Fireplace Wall:



Recess Installation

Step 3 - Framing Front Studs For Recess
After positioning the Fireplace:



Last Step - Finishing The Fireplace Wall:

