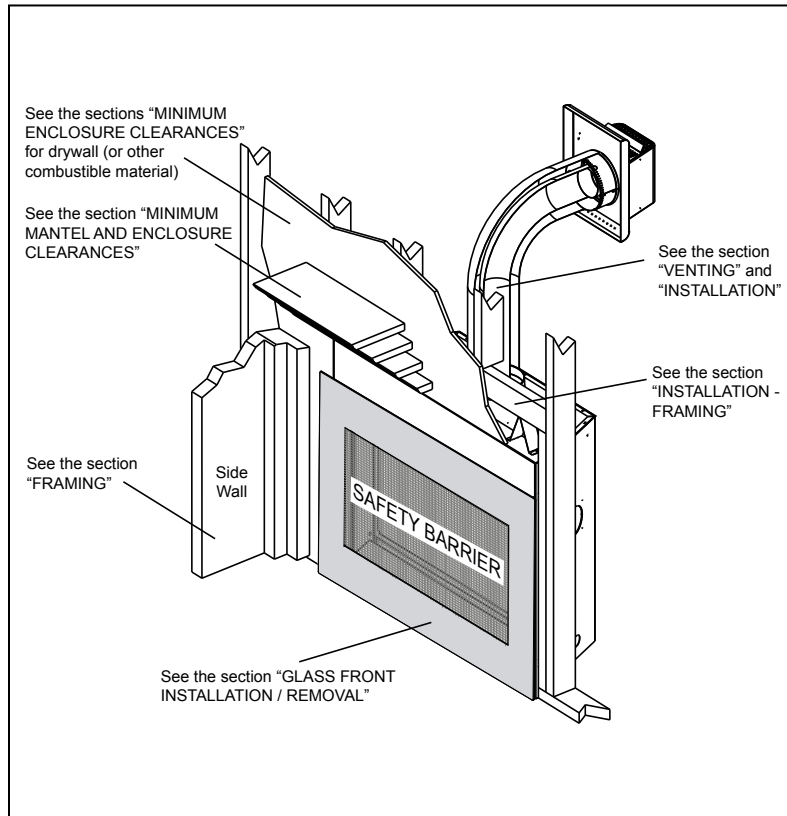


GRANDVILLE™ 36 DIRECT VENT GAS FIREPLACE

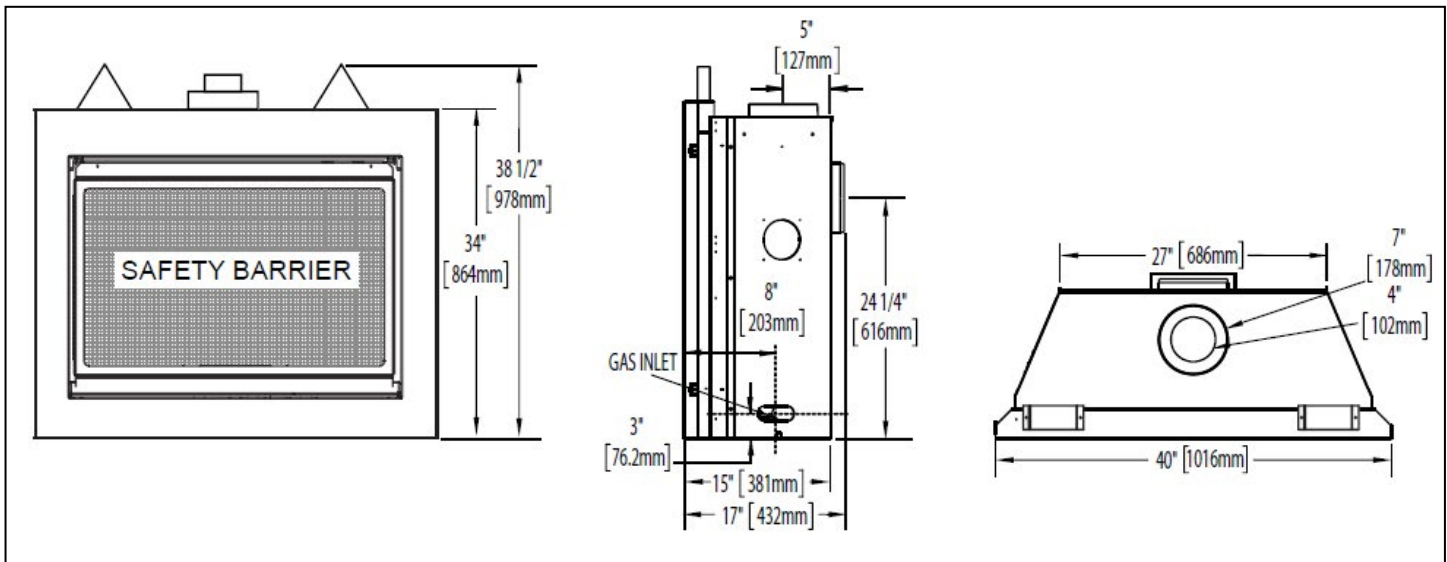
Specifications

Model	BTU	Width		Height		Depth		Glass
		Actual	Framing	Actual	Framing	Actual	Framing	
BGD36CFSB	17,000	40	40 1/2	34	38 3/4	15	17 1/4	31 1/4 X 19

Overview



Dimensions



GRANDVILLE™ 36 DIRECT VENT GAS FIREPLACE

Framing & Clearances

Minimum Fireplace Clearances

Minimum clearance to combustible construction from appliance and vent surfaces:	
Framing:	- 0" to stand-offs.
Combustible Finishing:	- 0" to appliance edge.
Sides, bottom	- 6 1/2" (165mm)
Top	- 13 1/2" (343mm) to top of appliance.
Enclosure top	- 17 1/4" (438mm)
Recessed depth	- 2" (51mm)
Top, sides and bottom of vent pipe*	- 2" (51mm)
Ceiling	- 54" (1372mm) from bottom of appliance.

* **HORIZONTAL VENT SECTIONS** - A minimum clearance of 1" (25mm) at the bottom and sides and 2" (51mm) at the top of the vent pipe on all horizontal runs to combustibles is required. Use firestop spacer W010-1777 (supplied).

* **VERTICAL VENT SECTIONS** - A minimum of 1" (25mm) all around the vent pipe on all vertical runs to combustibles is required except for clearances in appliance enclosures. See "MINIMUM ENCLOSURE CLEARANCES" section. Use firestop spacer W500-0096 (not supplied).

Appliance Location

IMPORTANT:
Encroaching in this area with finishing material will interfere with the opening of the door.

THIS AREA MUST REMAIN EXPOSED TO ALLOW FOR PROPER DOOR OPERATION.

Wall Penetration

Combustible Mantel Clearances

Combustible mantel clearance can vary according to the mantel depth. Use the graph to help evaluate the clearance needed.

Mantle Depth (")	Minimum Height (")
2	12
4	14
6	16
8	18
10	20
12	22

8" (203mm) MANTLE
6" (152mm) MANTLE
4" (102mm) MANTLE
2" (51mm) MANTLE

TOP OF FRONT OPENING

Product information provided is not complete and is subject to change without notice. Please consult the installation manual for the most up to date installation information.

Framing Dimensions

WARNING
FOR TOP EXIT APPLICATIONS: DO NOT BUILD INTO THIS AREA. IT MUST BE LEFT CLEAR TO PROVIDE ADEQUATE CLEARANCE FOR THE VENT. IN THIS 14" (356MM) WIDE AREA CENTRED ALONG THE FRONT OF THE APPLIANCE, NO COMBUSTIBLES ARE ALLOWED.

Minimum Vertical Vent Rise

Alcove Clearances

NOTE: Recesses or alcoves above the appliance can be made as deep as desired provided the minimum clearances to combustibles are maintained. Non-combustible material can be used, provided the minimum clearances to combustible materials are applied. The minimum enclosure volume must be increased by no less than the volume of the recess. This adjustment can be made by increasing any or all of the height, width and depth of the enclosure.

Non-Combustible Facing Material

WARNING: Non-combustible facing material may protrude from the top, and/or sides of this appliance, as illustrated [up to a maximum of 6" (152.4mm)]. Greater than 6" (152.4mm) protrusions are considered a mantel and must meet the combustible mantel requirements.