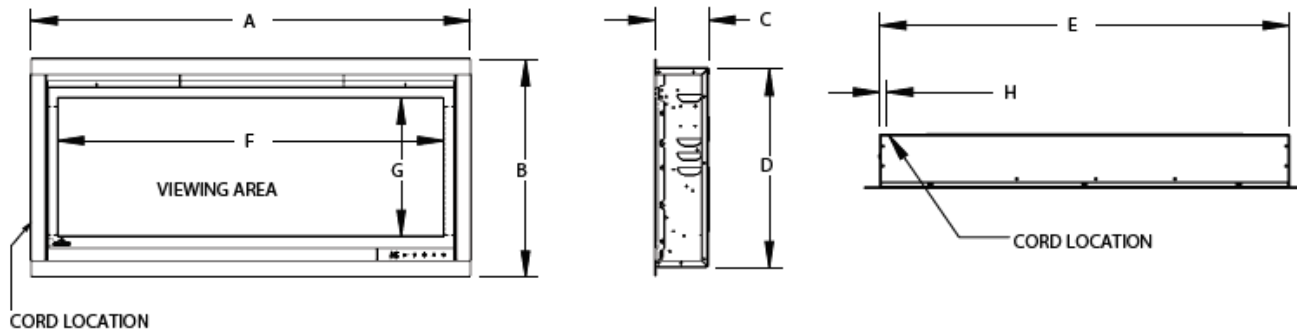


ALLURAVISION™ SERIES ELECTRIC FIREPLACE

Specifications

Model	BTU	Width		Height		Depth		Glass
		Actual	Framing	Actual	Framing	Actual	Framing	
NEFL42CHS	5000	44 7/16	42 9/16	17 5/16	16 1/8	4 1/4	4 1/2	40 1/4 X 11 1/16
NEFL50CHS	5000	52 11/16	50 13/16	17 5/16	16 1/8	4 1/4	4 1/2	48 1/2 X 11 1/16
NEFL60CHS	5000	62 9/16	60 11/16	17 5/16	16 1/8	4 1/4	4 1/2	58 5/16 X 11 1/16
NEFL50CHD	5000	52 11/16	50 13/16	17 5/16	16 1/8	5 13/16	6 1/16	48 1/2 X 11 1/16
NEFL60CHD	5000	62 9/16	60 11/16	17 5/16	16 1/8	5 13/16	6 1/16	58 5/16 X 11 1/16



Dimensions								
Model Number	A	B	C	D	E	F	G	H
NEFL42CHS	44 7/16" (112.8cm)	17 5/16" (44cm)	4 1/4" (10.8cm)	15 7/8" (40.2cm)	42 1/16" (106.8cm)	40 1/4" (102.2cm)	11 1/16" (28.1cm)	3/4" (1.8cm)
NEFL50CHS	52 11/16" (133.8cm)	17 5/16" (44cm)	4 1/4" (10.8cm)	15 7/8" (40.2cm)	50 5/16" (127.8cm)	48 1/2" (123.2cm)	11 1/16" (28.1cm)	3/4" (1.8cm)
NEFL60CHS	62 9/16" (158.8cm)	17 5/16" (44cm)	4 1/4" (10.8cm)	15 7/8" (40.2cm)	60 3/16" (152.8cm)	58 5/16" (148.2cm)	11 1/16" (28.1cm)	3/4" (1.8cm)
NEFL50CHD	52 11/16" (133.8cm)	17 5/16" (44cm)	5 13/16" (14.8cm)	15 7/8" (40.2cm)	50 5/16" (127.8cm)	48 1/2" (123.2cm)	11 1/16" (28.1cm)	3/4" (1.8cm)
NEFL60CHD	62 9/16" (158.8cm)	17 5/16" (44cm)	5 13/16" (14.8cm)	15 7/8" (40.2cm)	60 3/16" (152.8cm)	58 5/16" (148.2cm)	11 1/16" (28.1cm)	3/4" (1.8cm)

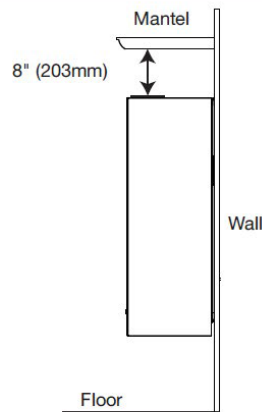
ALLURAVISION™ SERIES ELECTRIC FIREPLACE

Clearances

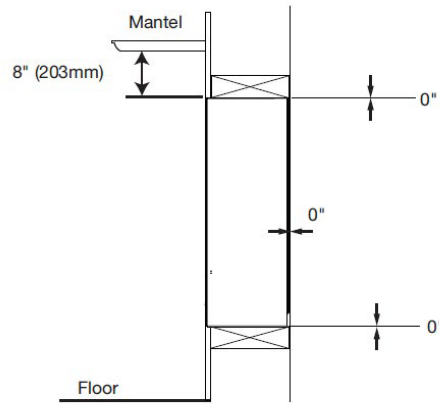
Minimum Fireplace Clearances

⚠ WARNING

- When using paint or lacquer to finish the mantel, the paint or lacquer must be heat resistant to prevent discolouration.



Side View (Wall Mount)

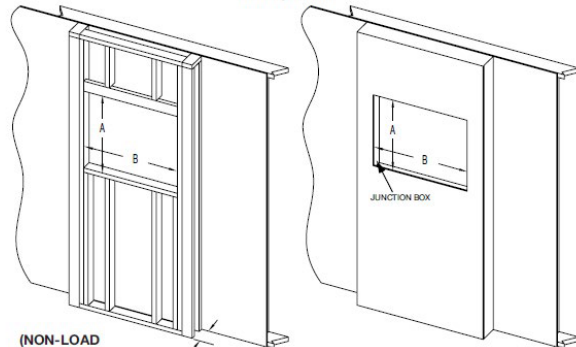


Side View (recessed into a wall)

Framing

Measurements are taken from the body
Sides, back, and top 0"

Finishing Material



(NON-LOAD BEARING)

4 1/2" [89mm] minimum for CHS models
8 1/16" [152mm] minimum for CHD models

Model Number	A	B
NEFL42CHS	16 1/8" (41cm)	42 9/16" (108.1cm)
NEFL50CHS	16 1/8" (41cm)	50 13/16" (129.1cm)
NEFL60CHS	16 1/8" (41cm)	60 11/16" (154.1cm)

Model Number	A	B
NEFL50CHD	16 1/8" (41cm)	50 13/16" (129.1cm)
NEFL60CHD	16 1/8" (41cm)	60 11/16" (154.1cm)

Appliance Installation

4.4 recessing the appliance into the wall

Due to the many different materials used on different walls, it is highly recommended that you consult your local builder before you install this appliance on the wall.

Select a location that is not prone to moisture and is located at least 36" (91.4cm) away from combustible materials such as curtain drapes, furniture, bedding, paper etc.

- Measure the appliance and create a rough in with electrical. The electrical junction box is located on the left side of the appliance.
- Remove the front glass, refer to "front glass removal" section.
- Remove the plastic panel holders by removing the screws (Figure 1 & 2).
- If side covers are installed prior to recessed installation, remove the side covers by removing the screws (Figure 3 & 4).
- Install trim. See section Trim and Side Panel Installation.
- Hold the appliance up to ensure it will fit into the framing (Refer to framing section for framing).
- Use 4 screws to secure the unit into the wall (Figure 5).
- Re-install the plastic panel holders.
- Place the drift wood logs and topaz glass chips or crystals along the media tray, refer to "drift wood logs and topaz glass chips installation" section.
- Install front glass.

note:

Two sets of holes are provided for recessing into the wall. The wall structure may limit how far the appliance can be recessed. Use the appropriate set of holes when recessing to the frame. It may be necessary to use the four holes on the top and bottom.

note:

It is recommended that the walls of the appliance enclosure be finishing (i.e. drywall) to avoid exposed insulation or vapour barrier coming in contact with the appliance. This will ensure clearance to combustibles is maintained.



FIG. 1

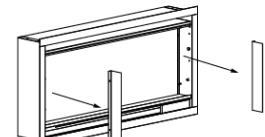


FIG. 2

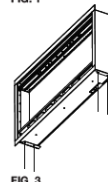


FIG. 3

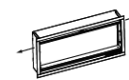


FIG. 4

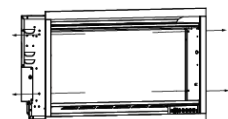


FIG. 5

Product information provided is not complete and is subject to change without notice. Please consult the installation manual for the most up to date installation information.