

IMPORTANT: THIS IS DATED INFORMATION. Parts must be ordered from a dealer or distributor. **Hearth and Home Technologies does not sell directly to consumers.** Provide model number and serial number when requesting service parts from your dealer or distributor.



Stocked at Depot

ITEM	DESCRIPTION	COMMENTS	PART NUMBER	
1	Termination Plate Assembly	Pre 0023696931	2206-012	
		Post 0023696931	2206-013	
	Flex Pipe Handle		438-351	
	Gasket	Pre 0023696931	2206-401	
		Post 0023696931	2206-178	
2	Burner Assembly		2203-007	Y
3	Burner Leg	Pre 0023959532	2203-103	
		Post 0023959532	2239-106	
4	Base Pan	Pre 0023959532	2239-100	
		Post 0023959532	2239-107	
5	Valve Assembly		Refer to valve page	
6	Glass Door Assembly		GLA-2206	Y
7	Rheostat Knob		100-512	Y
8	Control Panel		2205-129	
9	On/Off Rheostat		2206-800	Y
10	Blower		GFK-210-C	
11	Wire Assembly		2206-068	Y
12	Power cord Assembly		2201-017	Y
	Fuse Wire Assembly	Qty 2 req	2206-085	Y

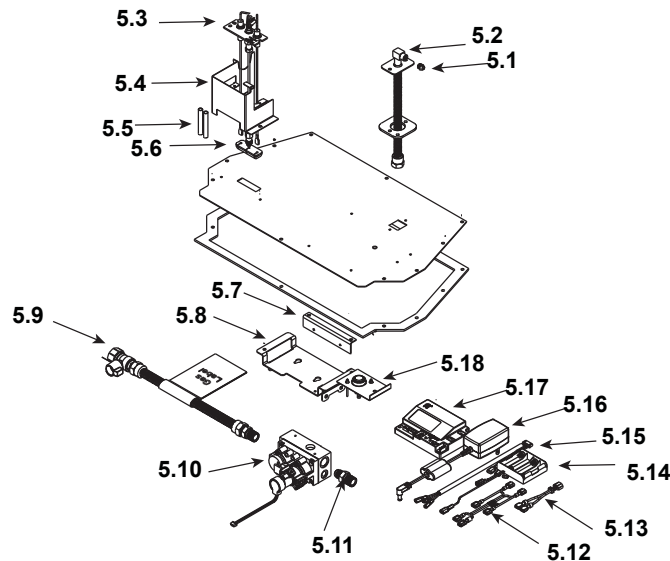
Additional service part numbers appear on following page.

No one builds a better fire

Beginning Manufacturing Date: Aug 2011

Ending Manufacturing Date: Active

#5 Valve Assembly



IMPORTANT: THIS IS DATED INFORMATION. When requesting service or replacement parts for your appliance please provide model number and serial number. All parts listed in this manual may be ordered from an authorized dealer.



**Stocked
at Depot**

ITEM	DESCRIPTION	COMMENTS	PART NUMBER	
5.1	Orifice NG (#42C)		582-842	Y
	Orifice LP (#54C)		582-854	Y
5.2	Flexible Gas Connector		7000-156	Y
5.3	Pilot Assembly NG		2090-012	Y
	Pilot Assembly LP		2090-013	Y
5.4	Pilot Bracket		2239-112	
5.5	Pilot Sleeves		2206-151	
5.6	Grommet		2118-420	
5.7	Control Panel Bracket		2205-128	
5.8	Valve Bracket		2205-146	
5.9	Flex Ball Valve Assembly		302-320A	Y
5.10	Valve NG		2166-302	Y
	Valve LP		2166-303	Y
5.11	Brass Connector	PKG of 5	303-315/5	Y
5.12	Remote Wire Assembly		2103-013	Y
5.13	Jumper wire		2187-198	Y
5.14	**Battery Pack		2166-323	Y
5.15	Wire Assembly		2166-304	Y
5.16	Transformer		2326-131	Y
5.17	Control Module		2166-347	Y
5.17	Temp Sensor Switch		046-018A	Y

**Fuse for battery pack can be sourced locally, not a warranty item. Specs are 250v, 1A fuse, 3/4" long

Additional service part numbers appear on following page.



Service Parts

COSMO-I30-C

No one builds a better fire

Beginning Manufacturing Date: Aug 2011
Ending Manufacturing Date: Active

IMPORTANT: THIS IS DATED INFORMATION. Parts must be ordered from a dealer or distributor. **Hearth and Home Technologies does not sell directly to consumers.** Provide model number and serial number when requesting service parts from your dealer or distributor.



Stocked
at Depot

ITEM	DESCRIPTION	COMMENTS	PART NUMBER	
	Gasket Assembly		2206-081	
	Gems, Black	Qyt 2 req	MEDIA-BK2-GEMS	
	Glass Latch Assembly, Bottom	Qty 2 req	2155-045	Y
	Glass Latch Assembly, Top	Qty 2 req	339-121A	Y
	Glass Refractory, Back		2239-200	
	Glass Refractory, Left		2239-201	
	Glass Refractory, Right		2239-202	
	Rheostat/Temp Sensor Assembly		SRV2206-800	Y
	Touch Up Paint		TUP-GBK-12	
	EMC Filter		2201-198	
	Conversion Kit NG		NGK-COSMOI30-C	Y
	Conversion Kit LP		LPK-COSMOI30-C	Y
	Pilot Orifice NG		593-528	Y
	Pilot Orifice LP		593-527	Y
	Regulator NG		NGK-DXV-50	Y
	Regulator LP		LPK-DXV-50	Y