

IMPORTANT: THIS IS DATED INFORMATION. Parts must be ordered from a dealer or distributor. **Hearth and Home Technologies does not sell directly to consumers.** Provide model number and serial number when requesting service parts from your dealer or distributor.



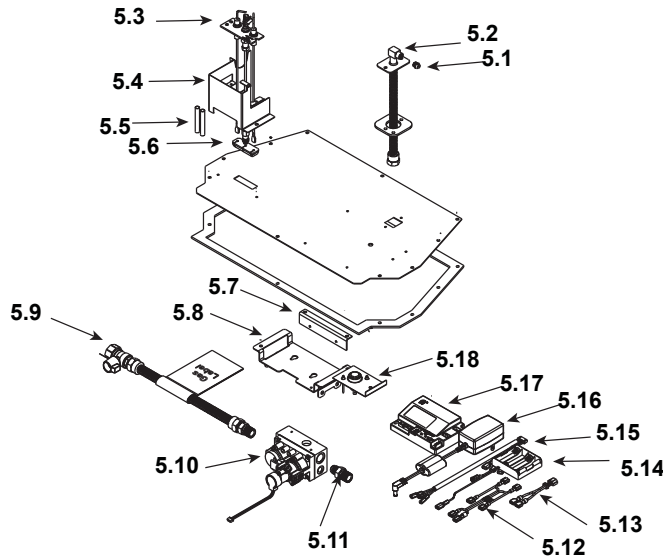
Stocked at Depot

| ITEM | DESCRIPTION | COMMENTS | PART NUMBER | |
|------|----------------------------|-----------------|---------------------|---|
| 1 | Termination Plate Assembly | Pre 0023696931 | 2205-012 | |
| | | Post 0023696931 | 2205-013 | |
| | Flex Pipe Handle | | 438-351 | |
| | Gasket | Pre 0023696931 | 2206-401 | |
| | | Post 0023696931 | 2206-178 | |
| 2 | Burner Assembly | | 2204-007 | Y |
| 3 | Burner Leg | Pre 0023959532 | 2238-103 | |
| | | Post 0023959532 | 2238-106 | |
| 4 | Base Pan | Pre 0023959532 | 2238-100 | |
| | | Post 0023959532 | 2238-107 | |
| 5 | Valve Assembly | | Refer to valve page | |
| 6 | Glass Door Assembly | | GLA-2205 | Y |
| 7 | Rheostat Knob | | 100-512 | Y |
| 8 | Control Panel | | 2205-129 | |
| 9 | On/Off Rheostat | | 2206-800 | Y |
| 10 | Blower | | GFK-210-C | |
| 11 | Wire Assembly | | 2206-068 | Y |
| 12 | Power cord Assembly | | 2201-017 | Y |
| | Fuse Wire Assembly | Qty 2 req | 2206-085 | Y |

No one builds a better fire

Beginning Manufacturing Date: Aug 2011
Ending Manufacturing Date: Active

#5 Valve Assembly



IMPORTANT: THIS IS DATED INFORMATION. Parts must be ordered from a dealer or distributor. **Hearth and Home Technologies does not sell directly to consumers.** Provide model number and serial number when requesting service parts from your dealer or distributor.



Stocked at Depot

| ITEM | DESCRIPTION | COMMENTS | PART NUMBER | |
|------|--------------------------|----------|-------------|---|
| 5.1 | Orifice NG (#38C) | | 582-838 | Y |
| | Orifice LP (#52C) | | 582-852 | Y |
| 5.2 | Flexible Gas Connector | | 7000-156 | Y |
| 5.3 | Pilot Assembly NG | | 2090-012 | Y |
| | Pilot Assembly LP | | 2090-013 | Y |
| 5.4 | Pilot Bracket | | 2239-112 | |
| 5.5 | Pilot Sleeves | | 2206-151 | |
| 5.6 | Grommet | | 2118-420 | |
| 5.7 | Control Panel Bracket | | 2205-128 | |
| 5.8 | Valve Bracket | | 2205-146 | |
| 5.9 | Flex Ball Valve Assembly | | 302-320A | Y |
| 5.10 | Valve NG | | 2166-302 | Y |
| | Valve LP | | 2166-303 | Y |
| 5.11 | Brass Connector | PKG of 5 | 303-315/5 | Y |
| 5.12 | Remote Wire Assembly | | 2103-013 | Y |
| 5.13 | Jumper wire | | 2187-198 | Y |
| 5.14 | **Battery Pack | | 2166-323 | Y |
| 5.15 | Wire Assembly | | 2166-304 | Y |
| 5.16 | Transformer | | 2326-131 | Y |
| 5.17 | Control Module | | 2166-347 | Y |
| 5.18 | Temp Sensor Switch | | 046-018A | Y |

**Fuse for battery pack can be sourced locally, not a warranty item. Specs are 250v, 1A fuse, 3/4" long

Additional service part numbers appear on following page.

