



&
INSERTS

DIRECT VENT GAS FIREPLACE INSERTS

HEAT & GLO



REKINDLE
THE FIRE

GAS INSERTS

No more drafty, dated fireplaces. No more messy maintenance. No more soot and smoke. It's time for an immediate upgrade, with interest.

Heat & Glo® gas inserts fit directly inside existing wood fireplaces, and can save your space. Warm up to greater performance. Stronger safety. And unmatched convenience. It's time to rekindle your fire.

A WARMING ESCAPE

Escape inserts start with patented, heat-radiating FireBrick® material. They end with vivid fires, glowing embers, and 25% greater radiant heat. On display with the largest, most authentic masonry appearance available.

MORE WAYS TO UPGRADE

Traditional ambiance. Full log sets. Efficient warmth. Grand and Supreme inserts deliver it all. Simple and classic.

NEXT LEVEL

Ditch the logs completely. Go modern. A ribbon of flame and glistening glass interior take your fireplace transformation to the next level.



LEFT: ESCAPE-I35 shown with iron age front

COVER: ESCAPE-I30



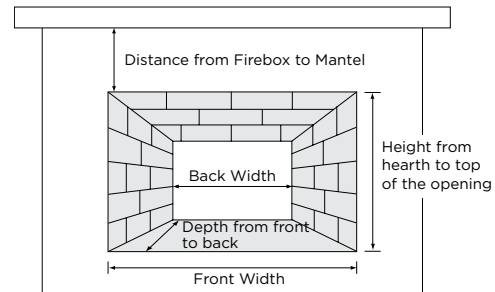
Top: GRAND-135 shown with arcadia front in new bronze and refractory upgrade
Left: SUPREME-130 shown with chateau front in black
Right: COSMO-130 shown with modern front in fog gray

A NEW FIREPLACE IN 4 EASY STEPS

- 1) Measure your existing fireplace
- 2) Choose your insert
- 3) Select a surround
- 4) Customize your insert

STEP 1: MEASURE YOUR EXISTING FIREPLACE

The height, width and depth of the existing fireplace opening is needed to ensure an appropriately-sized insert is selected.



STEP 2: SELECT YOUR INSERT

Selecting an insert consists of two main factors. Keep both in mind for a solid choice.

- Consider the size of your existing fireplace opening. Try and fill that space.
- Consider how your insert will be used. Room size, heating needs and usage frequency all come into play.



ESCAPE-I35

- 35" viewing area
- Ideal size for larger fireplaces
- Up to 40,000 BTUs
- 6 oak-style logs
- Illuminated ember bed and accent lighting
- Patented FireBrick® material construction



GRAND-I35

- 35" viewing area
- Ideal size for larger fireplaces
- Up to 35,000 BTUs
- 7 oak-style logs with glowing embers



COSMO-I35

- 35" viewing area
- Ideal size for larger fireplaces
- Up to 28,000 BTUs
- Customize with glass media or ceramic stones



ESCAPE-I30

- 30" viewing area
- Ideal size for smaller fireplaces
- Up to 35,000 BTUs
- 6 oak-style logs
- Illuminated ember bed and accent lighting
- Patented FireBrick® material construction



SUPREME-I30

- 30" viewing area
- Ideal size for smaller fireplaces
- Up to 32,000 BTUs
- 6 oak-style logs with glowing embers



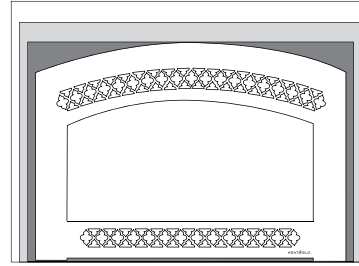
COSMO-I30

- 30" viewing area
- Ideal size for smaller fireplaces
- Up to 23,000 BTUs
- Customize with glass media or ceramic stones

STEP 3: CHOOSE YOUR SURROUND

Surrounds remove the gap between the fireplace insert and existing fireplace opening. Three sizes and three colors—black, graphite and new bronze—help accent your décor.

| SURROUND | ESCAPE-I35, GRAND-I35, COSMO-I35 | ESCAPE-I30, SUPREME-I30, COSMO-I30 |
|----------|-------------------------------------|---------------------------------------|
| Small | 42" x 29" | 40" x 27" |
| Medium | 44" x 32" | 42" x 30" |
| Large | 48" x 32" | 44" x 32" |



- SMALL SURROUND
- MEDIUM SURROUND
- LARGE SURROUND

STEP 4: CUSTOMIZE YOUR INSERT

Make it your own. Select a front and termination cap to complete your dramatic look.

ESCAPE FRONT OPTIONS



FIRESCREEN
Available for Escape inserts in black, new bronze or graphite.



HALSTON
Available for Escape inserts in black, new bronze or graphite.



IRON AGE
Available for Escape inserts in black, new bronze or graphite.



CHATEAU FORGE
Available for Escape inserts in hand-crafted, hammered steel.



GALLERIA
Available for Escape inserts in black, new bronze or graphite.



FINISHES

GRAND, SUPREME & COSMO FRONT OPTIONS



CHATEAU
Available for Grand, Supreme or COSMO inserts in black, new bronze or graphite.



ARCADIA
Available for Grand, Supreme or COSMO inserts in black, new bronze or graphite.



HALSTON
Available for Grand, Supreme or COSMO inserts in black, new bronze or graphite.



FOLIO
Available for Grand, Supreme or COSMO inserts in black, new bronze or graphite.



FINISHES¹



HALO
Available exclusively for COSMO inserts in black or fog gray.

¹Fog gray available exclusively for Halo front

TERMINATION CAPS

A termination cap finishes your gas insert with a clean, upscale look. And, these durable caps also protect venting components and ensure safe exhaust flow.



ROUND TERMINATION CAP



SQUARE TERMINATION CAP
Available in black or copper finish

INTERIOR PANELS

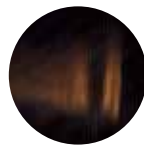
Change the look of the fireplace insert with interior panel options. Choices range from brick panels that give the appearance of an authentic masonry fireplace, to reflective fade-resistant black glass for modern drama.



BLACK METAL
(Standard on Grand and Supreme models)



TEXTURED BRICK
(Optional upgrade Grand and Supreme models)



REFLECTIVE BLACK GLASS
(Standard on Cosmo)

COSMO INTERIOR OPTIONS

Customize your fire. Each distinctive interior option highlights the flames differently.



CRYSTAL GLASS



EBONY GLASS



AMBER GLASS



COBALT GLASS



BLACK GLASS BEADS



WHITE GLASS BEADS



CERAMIC FIBER STONES

REMOTES & CONTROLS

Set the mood. Select from the RC300 or RC200 remote controls or RC100 wall switch.

Escape inserts come standard with the RC300.



RC300



RC200



RC100

GAS INSERT TECHNOLOGIES



INTELLIFIRE PLUS IGNITION SYSTEM

An advanced intermittent pilot ignition system with memory settings and a programmable wireless RC300 remote control. IPI Plus constantly monitors ignition, ensures safe functioning and conserves up to \$10/month in energy costs.



DIRECT VENT TECHNOLOGY

Direct Vent fireplaces remove 100% of combustion exhaust and odors outside of the home. These sealed fireplaces provide optimal heat, conserve energy and ensure clean, safe indoor air quality.



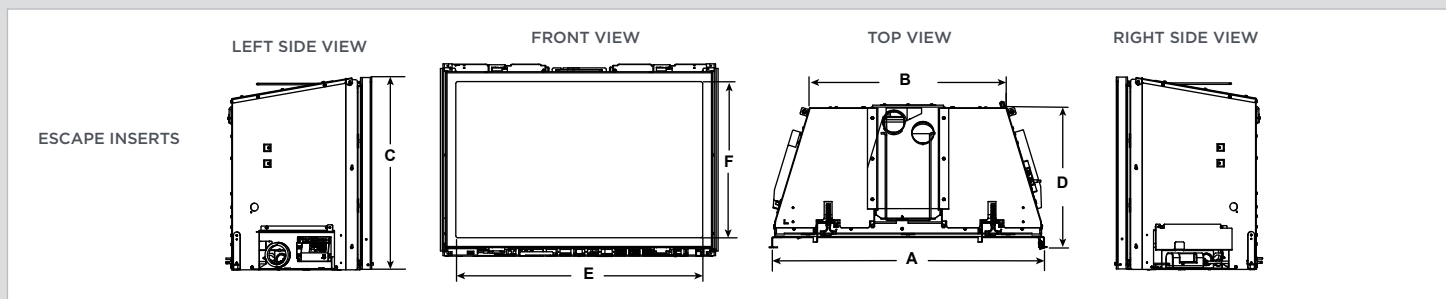
FIREBRICK® TECHNOLOGY

FireBrick is a patented, energy-saving ceramic material molded into an authentic masonry design. FireBrick produces up to 25% more radiant heat than metal fireboxes—heating rooms faster and using less fuel. This increases efficiency and reduces heating costs.

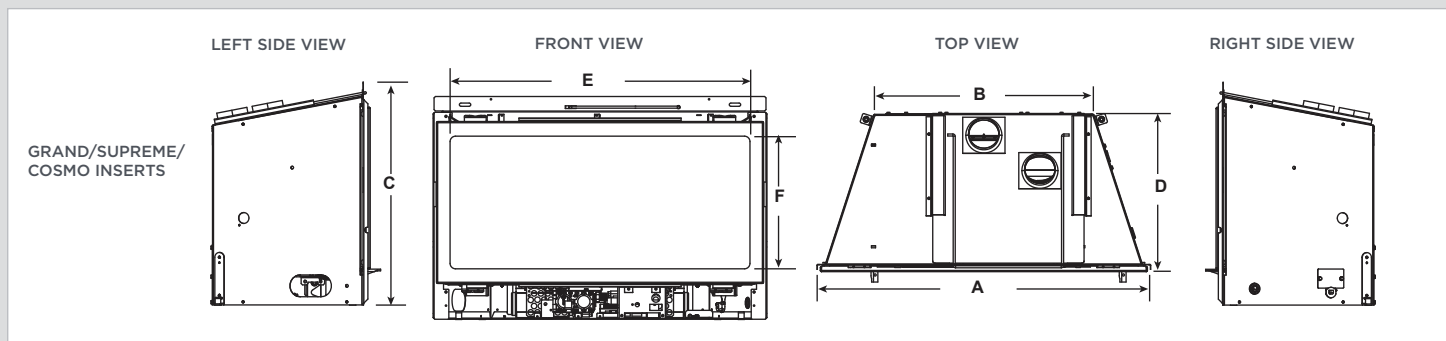


GAS INSERT SPECIFICATIONS

| MODEL | FRONT WIDTH (A) | | BACK WIDTH (B) | | HEIGHT (C) | | DEPTH (D) | | GLASS SIZE (E X F) | BTU/HOUR INPUT (NG) | CONVECTION BLOWER |
|------------|-----------------|----------------------|----------------|----------------------|--------------|----------------------|--------------|----------------------|-------------------------------|---------------------|-------------------|
| | UNIT | MIN. FIREBOX OPENING | UNIT | MIN. FIREBOX OPENING | UNIT | MIN. FIREBOX OPENING | UNIT | MIN. FIREBOX OPENING | | | |
| ESCAPE-I35 | 34-5/8 [879] | 35-1/8 [892] | 25 [635] | 25-1/2 [648] | 24-3/8 [619] | 24-5/8 [625] | 17-7/8 [454] | 18-1/8 [460] | 31-3/8 x 19-7/8 [797 x 505] | 20,000 - 40,000 | 120 CFM |
| ESCAPE-I30 | 30 [762] | 30-1/2 [775] | 21 [533] | 21-1/2 [546] | 22-3/8 [568] | 22-5/8 [575] | 16-3/8 [410] | 16-5/8 [422] | 26-11/16 x 17-7/8 [678 x 454] | 17,000 - 36,000 | 120 CFM |



| MODEL | FRONT WIDTH (A) | | BACK WIDTH (B) | | HEIGHT (C) | | DEPTH (D) | | GLASS SIZE (E X F) | BTU/Hour Input (NG) | Conv. Blower |
|-------------|-----------------|--|----------------|----------------------|---------------|--|----------------|--|-------------------------------|---------------------|--------------|
| | UNIT | MIN. FIREBOX OPENING | UNIT | MIN. FIREBOX OPENING | UNIT | MIN. FIREBOX OPENING | UNIT | MIN. FIREBOX OPENING | | | |
| GRAND-I35 | 34-5/8 [879] | 35-1/8" (892mm) (std. surround) 33-1/2" (851mm) (deep surround) | 23-7/16 [595] | 24 [610] | 24-1/16 [611] | 24-3/8" (619mm) (std. surround) 23" (584mm) (deep surround) | 15-11/16 [398] | 16" (406mm) (std. surround) 15-1/8" (384mm) (deep surround) | 31-5/8 x 15-11/16 [803 x 398] | 18,500 - 35,000 | 120 CFM |
| SUPREME-I30 | 30-5/8 [778] | 31-1/8" (791mm) (std. surround) 29-1/2" (749mm) (deep surround) | 20-3/16 [513] | 20-3/4 [527] | 20-7/16 [519] | 20-3/4" (527mm) (std. surround) 19-3/8" (492mm) (deep surround) | 14-5/8 [371] | 14-7/8" (378mm) (std. surround) 14" (356mm) (deep surround) | 27-1/2 x 12-3/16 [699 x 310] | 18,000 - 32,000 | 120 CFM |
| COSMO-I35 | 34-5/8 [879] | 35-1/8" (892mm) (std. surround) 33-1/2" (851mm) (deep surround) | 23-7/16 [595] | 24 [610] | 24-1/16 [611] | 24-3/8" (619mm) (std. surround) 23" (584mm) (deep surround) | 15-11/16 [398] | 16" (406mm) (std. surround) 15-1/8" (384mm) (deep surround) | 31-5/8 x 15-11/16 [803 x 398] | 15,500 - 28,000 | 120 CFM |
| COSMO-I30 | 30-5/8 [778] | 31-1/8" (791mm) (std. surround) 29-1/2" (749mm) (deep surround) | 20-3/16 [513] | 20-3/4 [527] | 20-7/16 [519] | 20-3/4" (527mm) (std. surround) 19-3/8" (492mm) (deep surround) | 14-5/8 [371] | 14-7/8" (378mm) (std. surround) 14" (356mm) (deep surround) | 27-1/2 x 12-3/16 [699 x 310] | 13,500 - 23,000 | 120 CFM |



Dimensions above are in inches. Reference dimensions only. We recommend measuring individual units at installation. NOTE: Combustible material should not be installed over the face. Make sure you do NOT cover the decorative door opening.

Refer to installation manual for detailed specifications on installing this product. Heat & Glo reserves the right to update units periodically. The flame and ember appearance may vary based on the type of fuel burned and the venting configuration used. Pictures in this brochure are not a true representation of the fireplace and/or flames.

U.S. EFFICIENCIES

Steady State - Since most homeowners use their fireplaces for an extended time while they are in the room, Steady State measures how efficiently your fireplace converts fuel to heat once it is warmed up and running in a "steady state".

AFUE - AFUE rating is more typically used with appliances, like your furnace, that continually cycle on and off to maintain a constant temperature.

| RATING | ESCAPE-I35 | ESCAPE-I30 | GRAND-I35 | SUPREME-I30 | COSMO-I35 | COSMO-I30 |
|---------------------|-------------------------------|-------------------------------|-------------------------------|-------------------------------|-------------------------------|-------------------------------|
| STEADY STATE | 85.8% (NG), 85.8% (LP) | 85.8% (NG), 85.8% (LP) | 78.5% (NG), 78.5% (LP) | 84.1% (NG), 84.1% (LP) | 83.3% (NG), 83.3% (LP) | 83.3% (NG), 83.3% (LP) |
| AFUE | 73.1% (NG), 73.8% (LP) | 70.1% (NG), 70.0% (LP) | 73.5% (NG), 76.2% (LP) | 73.2% (NG), 73.4% (LP) | 73.0% (NG), 76.5% (LP) | 76.7% (NG), 69.5% (LP) |

CANADA EFFICIENCIES

EnerGuide (CSA P.4.1-15) - EnerGuide is a rating used in Canada to measure annual fireplace efficiency.

| RATING | ESCAPE-I35 | ESCAPE-I30 | GRAND-I35 | SUPREME-I30 | COSMO-I35 | COSMO-I30 |
|--------------------------|------------------------|------------------------|------------------------|------------------------|------------------------|------------------------|
| ENERGUIDE (CSA P.4.1-15) | 72.9% (NG), 73.8% (LP) | 70.7% (NG), 71.1% (LP) | 72.2% (NG), 76.1% (LP) | 72.7% (NG), 76.1% (LP) | 72.9% (NG), 76.6% (LP) | 77.2% (NG), 69.2% (LP) |

For complete information on this model, please contact us at:

HEAT & GLO

No one builds a better fire

Web: heatnglo.com
Phone: (888) 427-3973 (952) 985-6000
E-mail: info@heatnglo.com

[facebook.com/HeatandGlo](https://www.facebook.com/HeatandGlo)
twitter.com/HeatandGlo
[youtube.com/HeatandGlo](https://www.youtube.com/HeatandGlo)

HNG-1142U-0617

LIMITED LIFETIME WARRANTY²

The strongest in the industry, Heat & Glo[®] provides a limited lifetime warranty on the most important aspects: firebox and heat exchanger.

²For full warranty details, go to www.heatnglo.com.

Fireplace glass and other surfaces get extremely HOT and can cause severe burns if touched. Do not remove the protective safety screen from the front of the glass. Keep a safe distance away. To learn more visit www.heatnglo.com/fireplacesafety



Look for the EnerGuide Gas Fireplace Energy Efficiency Rating in this brochure



Based on CSA P.4.1-15