

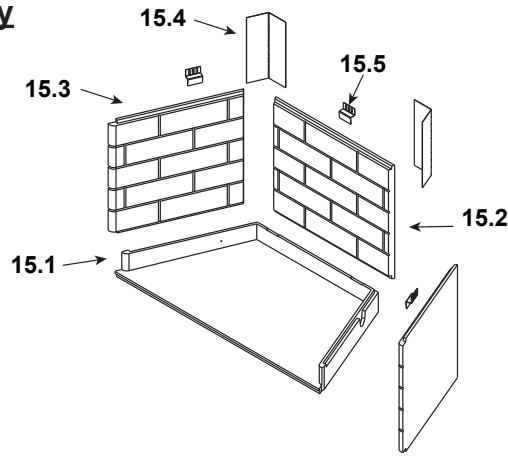
IMPORTANT: THIS IS DATED INFORMATION. Parts must be ordered from a dealer or distributor. **Hearth and Home Technologies does not sell directly to consumers.** Provide model number and serial number when requesting service parts from your dealer or distributor.



Stocked at Depot

ITEM	DESCRIPTION	COMMENTS	PART NUMBER	
1	Starter Section Assembly		22069B	Y
2	Top Standoff	Qty 4 req	4044-111	
3	Upper Front Face		4072-144	
4	Non Combustible Front		4072-147	
5	Door Track (used for upper)		4072-118	
6	Smoke Shield		4072-136	
7	Upper Trim	Post install must order CUST4004-107	4072-123	
8	Left Side Trim		4072-125	
9	Right Side Trim		4072-124	
10	Lower Trim		4072-122	
11	Firescreen Rod	1 piece	4072-134	
12	Firescreen Assembly	Qty 2 req	4072-020	Y
13	Grate, 21.50" F x 9.88" D x 20.88" B		GR40	Y
14	Nailing Flange	Qty 4 req	4044-161	
	Door Pivot Clip	Qty 2 req	31527	
	Strip Protector		18320	
	Outside Air Hood	Qty 2 req	33271	Y
	Extended Smoke Shield		4072-156	
	Installation Instructions and Owner's Manual		4072-137	

#15 Traditional Refractory



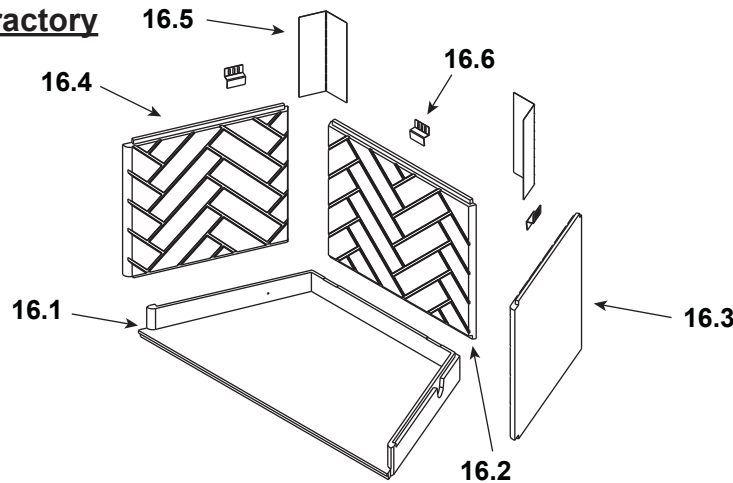
IMPORTANT: THIS IS DATED INFORMATION. Parts must be ordered from a dealer or distributor. **Hearth and Home Technologies does not sell directly to consumers.** Provide model number and serial number when requesting service parts from your dealer or distributor.



**Stocked
at Depot**

ITEM	DESCRIPTION	COMMENTS	PART NUMBER
Traditional Refractory			
15.1	Hearth Refractory, 42.38" F x 17.88" D x 27.18 B		SRV4072-104
15.2	Back Refractory, 17.25" H x 26.93" W		4072-105
15.3	Side Refractory, Right, 17.25" H x 18.21" W	Qty 2 req	4072-103
15.4	Corner Shield	Qty 2 req	4072-145
15.5	Retainer	Qty 3 req	11847

#16 Herringbone Refractory



Herringbone Refractory			
ITEM	DESCRIPTION	COMMENTS	PART NUMBER
16.1	Hearth Refractory, 42.38" F x 17.88" D x 27.18 B		SRV4072-104
16.2	Back Refractory, 17.25" H x 26.93" W		4072-107
16.3	Side Refractory, Right, 17.25" H x 18.21" W		4072-108
16.4	Side Refractory, Left, 17.25" H x 18.21" W		4072-109
16.5	Corner Shield	Qty 2 req	4072-145
16.6	Retainer	Qty 3 req	11847